

Dual PhoneStation™

Quick Start Guide

WHAT'S INCLUDED

- (2) Adjustable Phone Mounts
- (1) Dual PhoneStation Base

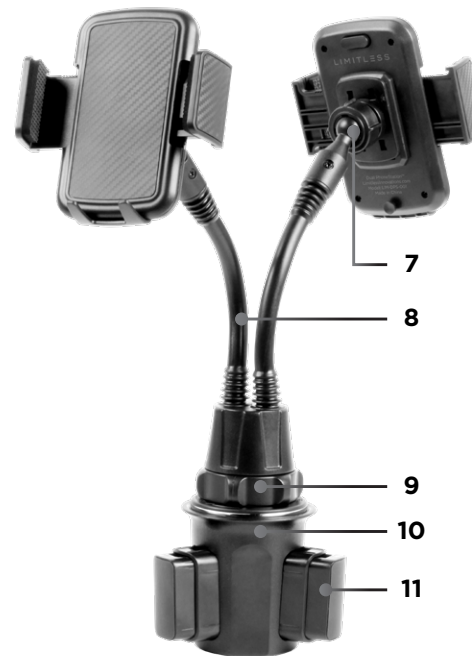
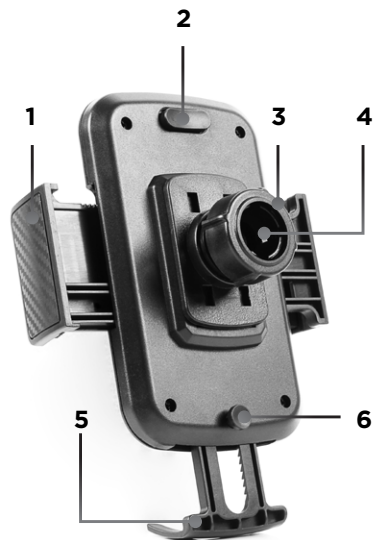
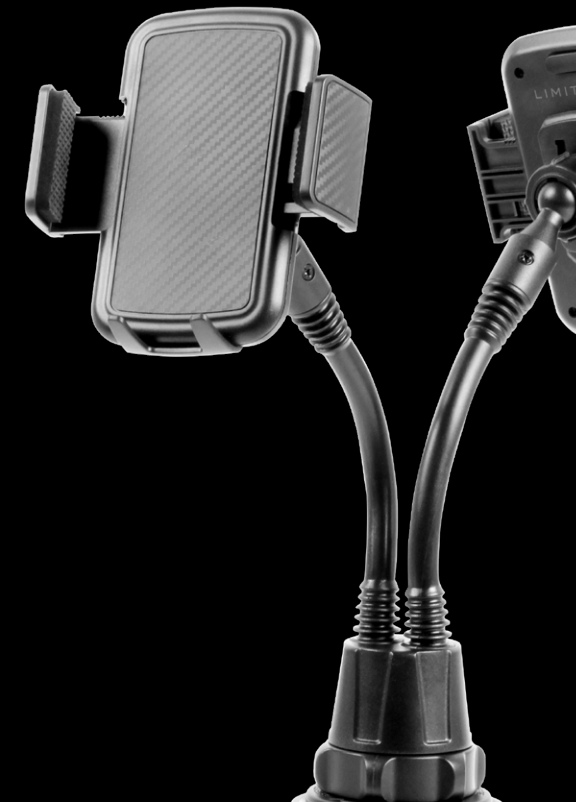
COMPONENTS

Adjustable Phone Mount

1. Arms
2. Arm Release Button
3. Socket Cap
4. Ball Joint Socket
5. Foot
6. Foot Release Button

Dual PhoneStation Base

7. Ball Joints
8. Flexible Necks
9. Locking Insert Adjustment Dial
10. Cup Holder Base
11. Locking Inserts



TECH SPECS

Model: LIM-DPS-001

Weight: 0.8 lb

Minimum Arm Opening: 2"

Minimum Arm Opening: 3.5"

Foot Adjustment: 1.00"

Minimum Cup Holder Diameter: 2.25"

Maximum Cup Holder Diameter: 4.50"

HOW TO USE

Installing the Phone Mounts

1. Loosen the Socket Cap by turning it counterclockwise.

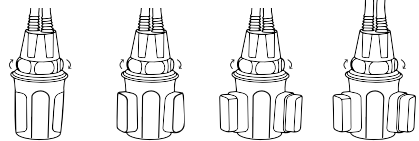
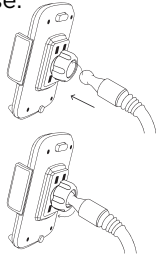
2. Insert and snap the Ball Joint into the Socket.

3. Tighten the Socket Cap by turning it clockwise.

4. Repeat on the second Phone Mount & Flexible Neck.

5. Insert the Base into a cup holder.

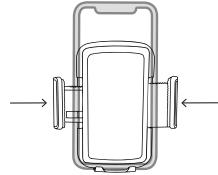
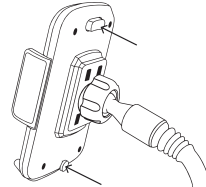
6. Turn the Dial clockwise to tighten the Locking Inserts until they fit tightly within the cup holder.



Arms

To open, press and hold the Arm Release Button.

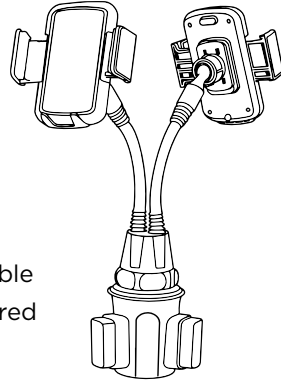
To close, push each Arm inwards.



Foot

To extend, press the Foot Release Button.

To close, push the Foot up.



Flexible Neck

Push/pull the Flexible Neck until the desired positioning is met.

SAFETY INFORMATION

By using the Limitless Dual PhoneStation, you hereby agree that Limitless Innovations, Inc., an Illinois corporation and its affiliates ("Limitless") shall have no liability for any losses associated with property damage, personal injury or loss of life that are incurred by you or by any third party in connection with or relating in any manner whatsoever to your use of the Limitless Dual PhoneStation. By using the Limitless Dual PhoneStation, you hereby agree at all times to comply fully with all safety warnings, operating instructions and general safety information in this user manual. By using the Limitless Dual PhoneStation, you further agree to hold harmless Limitless, (and Limitless' officers, directors, shareholders and employees) in connection with any losses sustained by you (including, without limitation, losses arising in whole or in part from property damage, personal injury or loss of life) relating in any manner whatsoever to your use of the Limitless Dual PhoneStation.

WARNING

- Limitless Dual PhoneStation is **NOT** a toy and should be kept away from children.
- Do **NOT** subject the Limitless Dual PhoneStation to harsh chemicals.
- Do **NOT** attempt to disassemble, repair, or open the Limitless Dual PhoneStation or its accessories in any way.
- Do **NOT** force a device in between the arms of the Dual PhoneStation or remove a device without opening the Arms of the Phone Mount using the Release Button.
- Limitless Innovations does **NOT** condone and strongly advises against usage of mobile device while driving. Please drive safely.

To view the complete user manual, please visit:
LimitlessInnovations.com/Dual-PhoneStation

LIMITLESS™

All rights reserved.
Limitless Dual PhoneStation™, Dual PhoneStation™, and Limitless™ are trademarks of Limitless Innovations, Inc. Design and specifications subject to change without notice. Products may vary from images shown. Accessories sold separately.

LimitlessInnovations.com
Support@LimitlessInnovations.com
(855) 843-4828

Limitless Innovations, Inc.
4800 Metalmaster Way
McHenry, IL 60050

© Limitless Innovations, Inc.



@LimitlessInnovations



/LimitlessInnov



/LimitlessInnov



/LimitlessInnov



Limitless Innovations