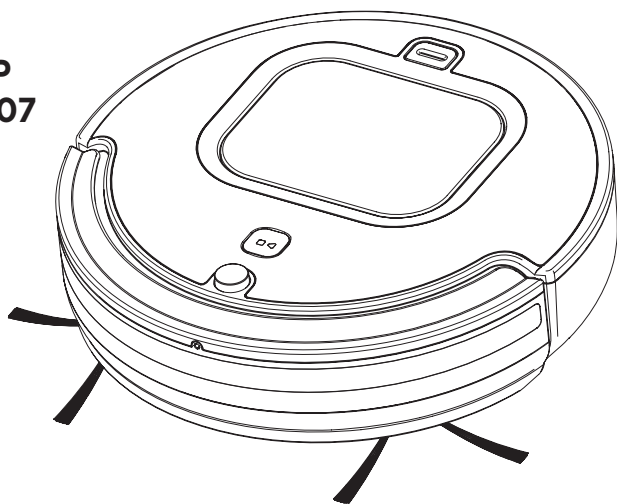


# BLACK+ DECKER™

## ROBOTIC VACUUM INSTRUCTION MANUAL

CATALOG NUMBER

HRV425BL  
HRV425BLP  
HRV420BP07



**Thank you for choosing BLACK+DECKER!**

**PLEASE READ BEFORE RETURNING THIS PRODUCT FOR ANY REASON.**

If you have a question or experience a problem with your BLACK+DECKER purchase, go to <http://www.blackanddecker.com/instantanswers>

If you can't find the answer or do not have access to the Internet, call 1-800-544-6986 from 8 a.m. to 5 p.m. EST Mon. - Fri. to speak with an agent. Please have the catalog number available when you call.

**SAVE THIS MANUAL FOR FUTURE REFERENCE.**

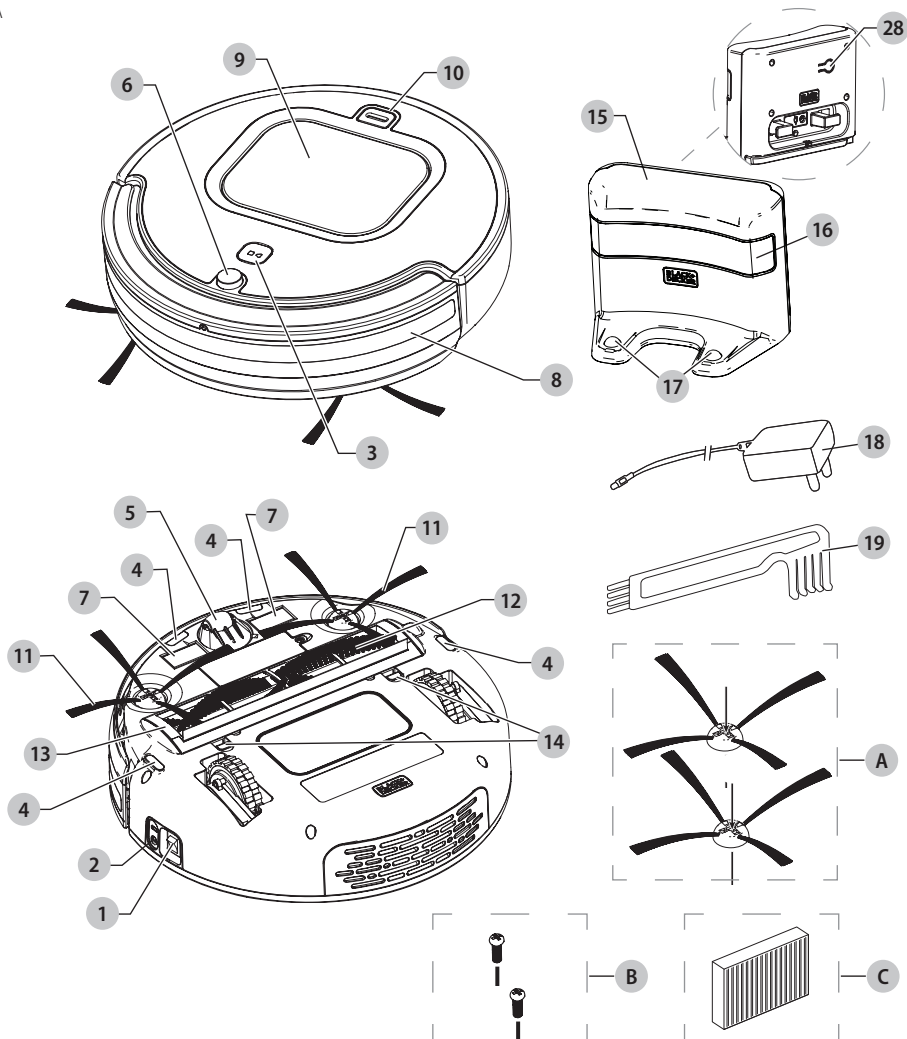
VEA EL ESPAÑOL EN LA CONTRAPORTADA.

INSTRUCTIVO DE OPERACIÓN, CENTROS DE SERVICIO Y PÓLIZA DE GARANTÍA.

ADVERTENCIA: LÉASE ESTE INSTRUCTIVO ANTES DE USAR EL PRODUCTO.

To register your new product, call 1-800-544-6986  
or visit [www.BlackandDecker.com/NewOwner](http://www.BlackandDecker.com/NewOwner)

Fig. A



- 1 Power switch
- 2 Charging socket
- 3 Start/Stop button
- 4 Ground detection sensor
- 5 Front wheel
- 6 Infrared receiver
- 7 Charging plate
- 8 Front lens
- 9 Dust bin
- 10 Dust bin release button
- 11 Side brushes
- 12 Main brush

- 13 Main brush frame
- 14 Main brush frame tabs
- 15 Charging dock
- 16 Charging dock infrared window
- 17 Charging electrodes
- 18 Battery charger
- 19 Maintenance tool
- 28 Charging dock pairing button

**Additional Accessories**

- a. Side brushes (2)
- b. Side brush screws (2)
- c. HEPA filter

# IMPORTANT SAFETY INSTRUCTIONS

**When using an electrical appliance, basic precautions should always be followed, including the following:**

## READ ALL INSTRUCTIONS BEFORE USING THIS APPLIANCE

-  **WARNING:** To reduce the risk of fire, electric shock, or injury:
  -  **WARNING:** Read all safety warnings and all instructions. Failure to follow the warnings and instructions listed below may result in electric shock, fire and/or serious injury.
  -  **WARNING:** Some household dust contains chemicals known to the State of California to cause cancer, birth defects or other reproductive harm such as asbestos and lead in lead based paint.
- Do not use outdoors or on wet surfaces.
  - Do not allow to be used as a toy. Close attention is necessary when used by or near children.
  - This product is not intended for use by anyone (including children) with inadequate physical, sensory, or mental abilities, or who lack the experience, knowledge or skills to operate the robot. Children should never be left alone with this product.
  - Turn off the power switch when children or pets are alone with the appliance.
  - Use only as described in this manual. Use only manufacturer's recommended attachments.
  - If appliance is not working as it should, has been dropped, damaged, left outdoors, or dropped into water, return it to a service center.
  - Do not step on or put objects on robot.
  - Do not handle charger, including charger plug, and charger terminals with wet hands.
  - This appliance should only be used for dry pick up. Do not use to pick up anything wet or liquids of any kind.
  - Do not put any object into openings. Do not use with any opening blocked; keep free of dust, lint, hair, and anything that may reduce air flow.
  - Keep hair, loose clothing, fingers, and all parts of body away from openings and moving parts.
  - Do not pick up anything that is burning or smoking, such as cigarettes, matches, or hot ashes.
  - Before use, remove any objects from the floor that may become tangled in the appliance, such as power cords, fragile items, strings, toys, or clothing.
  - Remove any objects that become lodged in the appliance immediately.
  - For rugs with tassels or loose fabric, fold them under the rug. The appliance may grab and unravel the rug.
  - Do not use without dust bin and/or filter in place.
- Prevent unintentional starting. Ensure the switch is in the off-position before picking up or carrying the appliance. Carrying the appliance with your finger on the switch or energizing appliance that have the switch on invites accidents.
  - Under abusive conditions, liquid may be ejected from the battery; avoid contact. If contact accidentally occurs, flush with water. If liquid contacts eyes, additionally seek medical help. Liquid ejected from the battery may cause irritation or burns.
  - Do not use the vacuum cleaner if damaged or modified. Damaged or modified batteries may exhibit unpredictable behavior resulting in fire, explosion or risk of injury.
  - Do not expose the vacuum cleaner to fire or excessive temperature. Exposure to fire or temperature above 265°F may cause explosion.
  - Follow all charging instructions and do not charge the vacuum cleaner outside of the temperature range specified in the instructions. Charging improperly or at temperatures outside of the specified range may decrease the life of the battery.
  - Have servicing performed by a qualified repair person using only identical replacement parts. This will ensure that the safety of the vacuum cleaner is maintained.
  - Do not modify or attempt to repair the vacuum cleaner except as indicated in the instructions for use and care.
  - Do not charge the unit outdoors.
  - Use only the charger supplied by the manufacturer to recharge.
  - Do not incinerate the appliance even if it is severely damaged. The batteries can explode in a fire.
  - This appliance is intended for household use only and not for commercial or industrial use.
  - Keep sensors clean. Sensors may not work properly if they become blocked.
  - The sensors on this appliance may not work properly on different floor types. Test the appliance on each surface before allowing it to operate independently.
  - Shock Hazard. To protect against risk of electrical shock, do not put unit or charging base in water or other liquid.
  - This appliance should not be used on floors with exposed electrical outlets.
  - The unit should be placed or mounted away from sinks and hot surfaces.
  - Plug the charger directly into an electrical outlet.
  - Use the charger only in a standard electrical outlet (120V/60Hz).
  - Unplug the charger from outlet before any routine cleaning or maintenance.
  - Do not look into the air vents when the unit is switched on, as sometimes there is a possibility of small debris being discharged from the air vents, especially after cleaning / replacement of the filter as debris inside the unit can be disturbed.
  - The infrared signal between the appliance and the charging dock may become compromised if more than

## ENGLISH

one robot vacuums are used at the same time, or if used in a location exposed to a halogen lamp.

- Do not use the vacuum in the following environments:
  - Wet
  - Flammable
  - Explosive
  - Corrosive
  - Extreme hot
  - Extreme cold
- This vacuum is for indoor use only.
- Do not let this vacuum clean toner from a laser printer or copier.
- Do not let this vacuum clean sharp objects, such as glass, it may damage the vacuum.
- The charging station should be placed against a wall and on a flat floor surface.
- Do not cover the signal window of the charging station.
- When storing this vacuum, charge the battery fully, turn off the vacuum and place it in a cool dry place. Unplug the charging station.
- Do not lift this vacuum by the front cover.
- Only for use with K25V240100X charger or with N501228 charging dock.

### The vacuum is recommended for the following floor surfaces:

- Hardwood/Laminate
- Ceramic/Stone tile
- Low and medium pile carpets (plush carpeting is not recommended)

**NOTE:** Vacuum may not work on some black carpet and darker floor surfaces, as the sensors may be detecting the surface as a drop off.

### Proper room preparation

- Place the cords from other appliances out of the area to be cleaned.
- Do not operate the vacuum in a room where an infant or child is sleeping.
- Do not operate the vacuum in an area where there are lit candles or fragile objects on the floor to be cleaned.
- Do not operate the vacuum in a room that has lit candles on furniture that the vacuum may accidentally hit or bump into.
- Do not allow children to sit on the vacuum.
- Do not use the vacuum on a wet surface.
- Test the height of thresholds. Robot cannot climb thresholds above 1/2 inch (10-15mm).

# SAVE THESE INSTRUCTIONS

## Assembly

1. Remove front lens **8** protection film.
2. Ensure the dust bin **9** and main brush **12** are fitted securely.

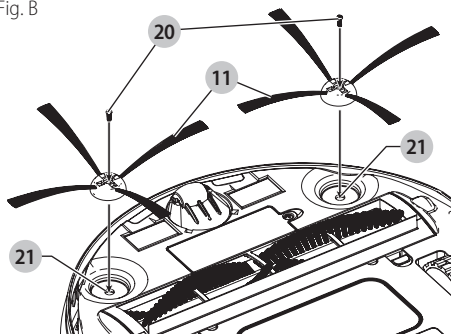
**NOTE:** The HRV425BLP contains a standard main brush and an anti-tangle pet brush.

- For general daily maintenance cleaning, the standard main brush should be used.
- Use the anti-tangle pet brush in areas where there is pet or long human hair, areas with excessive hair on floor surface, or areas that require a deeper clean.

## Installing side brushes (Fig. B)

1. Ensure the power switch **1** is in the off position **(O)**.
2. Place the vacuum upside down on a flat surface.
3. Locate the side brush retaining screws **20** from the packaging.
4. Place the side brushes **11** into the brush slots **21**.
5. Install side brush retaining screws.

Fig. B



## Charging (Fig. C)

Your vacuum can be manually charged via the jack plug or automatically charged via the charging dock.

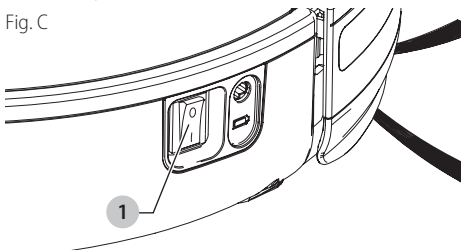
**IMPORTANT:** The power switch **1** **MUST** be in the ON position **(I)** for the vacuum to charge.

- Before first use, the battery must be charged for at least 4-5 hours.

**NOTE:** While charging, the charger may become warm. This is normal and does not indicate a problem. The appliance can be left connected to the charger indefinitely.

**! WARNING:** Do not charge the battery at ambient temperatures below 50 °F or above 104 °F.

Fig. C

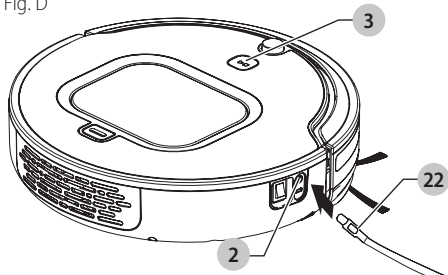


## Manually charge (Fig. D)

**IMPORTANT:** The power switch **1** **MUST** be in the ON position **(I)** for the vacuum to charge.

1. Plug the battery charger **18** into a wall outlet.
2. Slide the jack plug **22** end of the charger into the charging socket **2** of the vacuum.
3. The Start/Stop button **3** will blink and emit a single short beep, meaning the vacuum is charging. The Start/Stop button LED will turn off when the vacuum is fully charged.

Fig. D



### Automatically charge (Fig. E, F)

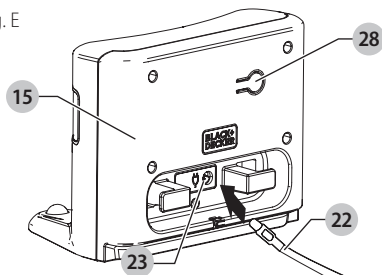
**IMPORTANT:** The power switch **1** **MUST** be in the ON position (**I**) for the vacuum to charge.

1. Plug the battery charger **18** into a wall outlet.
2. Slide the jack plug (**22**) end of the charger into the charging dock's charging socket (**23**) as shown in **Figure E**.
3. Place the charging dock base on a leveled floor with the back of the charger against a wall.

**NOTE:** Do not place anything under the charging dock. It will prevent the vacuum from automatically charging.

**NOTE:** Provide a minimum of 48 inches (122 cm) of clear space around the dock.

Fig. E



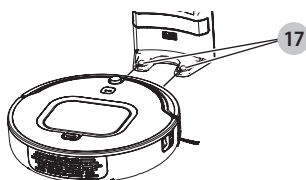
4. Place the vacuum on the charging dock so that the charging electrodes **17** contact the two charging plates **7** as shown in **Figure F**.
5. The Start/Stop button **3** will blink and emit a single short beep, indicating the vacuum is charging. The Start/Stop button LED will turn off when the vacuum is fully recharge.

**NOTE:** You can check the charging status of the vacuum from your BLACK+DECKER app.

**NOTE:** In SPOT and QUICK CLEAN Mode, the vacuum will finish its cleaning cycle and stop and not return to the dock, unless battery level is low, in which case it will search for the dock.

**NOTE:** In AUTO MODE, the vacuum will search for the charging dock when it is low on battery charge. However, if the room is too large or the vacuum is obstructed from "seeing" the dock, it may fail to find the dock to automatically recharge. If this occurs, place the vacuum on the charging dock as described above.

Fig. F



## Using the BLACK+DECKER App to operate your robot vacuum

The BLACK+DECKER App allows you to operate and connect to your robot vacuum from a compatible mobile device.

After downloading the App, you connect your device to the vacuum. Then you can use the App to operate the robot.

**NOTE:** Your mobile device has to be within Bluetooth range to operate the robot

### You can use the BLACK+DECKER App to:

- Schedule an auto cleaning to occur on the days and times of your choosing.
- NOTE:** If at any time, the robot is switched to the OFF position, the scheduling function will need to be restored by reconnecting to the app after the unit has been turned back on.
- Initiate a quick, spot, or manual cleaning.
- Monitor the robot's battery charge level.
- Add another BLACK+DECKER robot vacuum to your device.
- View Troubleshooting FAQ for suggestions on how to solve common problems or errors.
- Create an account to receive promotional materials.
- Disconnect your device from the robot.

### To download the BLACK+DECKER App and connect your device, do the following:

1. Download the BLACK+DECKER App, application at:



2. Double-click the BLACK+DECKER App icon to launch the App on your device. An App TERMS AND CONDITIONS page appears.

**NOTE:** The BLACK+DECKER App is governed by separate terms and conditions available for viewing through the mobile application.

3. Scroll down the App TERMS AND CONDITIONS page to make the Agree button clickable.
4. Click the Agree button to continue. A CREATE ACCOUNT page appears.
5. Take one of the following options on the CREATE ACCOUNT page:
  - Complete and Submit the form if you want to create a Stanley Black & Decker (SBD) user account. SBD will send promotional emails to the email address you specify.
  - Click Skip to continue without creating an SBD user account.
6. ANDROID ONLY; iOS SKIP to the next step. When the Quick Setup screen appears, ensure that the "Enable Bluetooth", "Location Services", and "App Permissions" boxes are checked, and click Continue.
7. On the Select Product screen, click the Robot Vacuum icon to connect the robot vacuum to your mobile device.

**IMPORTANT:** The power switch **1** **MUST** be in the ON position (**I**) for the vacuum to pair

8. When the Connecting screen appears, press and hold the Start/Stop button **3** on the robot vacuum to connect your mobile device to the vacuum. A confirmation message appears when the connection

## ENGLISH

process completes, followed by an optional tutorial that explains Robot App basics.

### To view the App User Guide and Troubleshooting FAQ:

1. Click the Settings icon to launch the Settings page.
2. Click App User Guide to view instructions on how to use BLACK+DECKER App features and screens.
3. Click FAQ to view robot vac troubleshooting tips.

## Manually operating the vacuum

- If you choose to operate the vacuum without the app, ensure the power switch **1** is in the on position (**I**).
- Press the Start/Stop button **3** once and unit will commence cleaning in Auto Mode. Press the Start/Stop button **3** again to stop cleaning.
- When the cleaning cycle is completed, the unit will start looking for the dock automatically.

## Maintenance

**WARNING:** Make sure the vacuum is completely dry before using it.

- Use only mild soap and damp cloth to clean the vac. Never let any liquid get inside the vac; never immerse any part of the vac into a liquid.

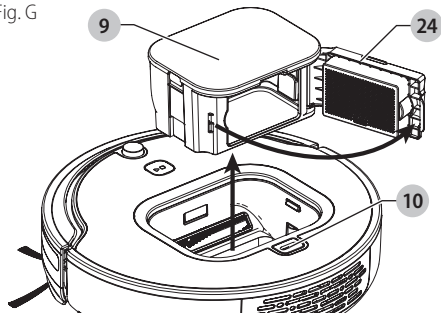
**IMPORTANT:** To assure product SAFETY and RELIABILITY, repairs, maintenance and adjustment (other than those listed in this manual) should be performed by authorized service centers or other qualified service organizations, always using identical replacement parts.

### Emptying the dust bin (Fig. G)

1. Turn the power switch **1** off.
2. Press the dust bin release button **10** and the dust bin will pop up from the top of the vacuum.
3. Pull out the dust bin.
4. Open the filter door **24** and empty the contents of the dust bin.

**NOTE:** The dust bin can be washed using mild soap and water. Ensure dust bin is completely dry before reinstalling.

Fig. G



### Cleaning the filter (Fig. H)

1. Turn the power switch **1** off.
2. Remove the dust bin **9** as described above.
3. Pull out the blue or purple filter frame **25**. Remove the pleated filter **26** and sponge filter **27** with care.
4. To clean the dust from the filters, use the maintenance tool or wash both filters under warm running water.

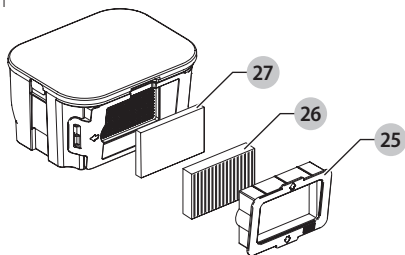
**NOTE:** Ensure both filters are completely dry before reinstalling.

5. Reinstall dry filters into the filter frame. Insert the filter frame into the dust bin, and reinstall dust bin into the vacuum.



**WARNING:** Never use the appliance without the filter. Optimum dust collection will only be achieved with a clean filter.

Fig. H

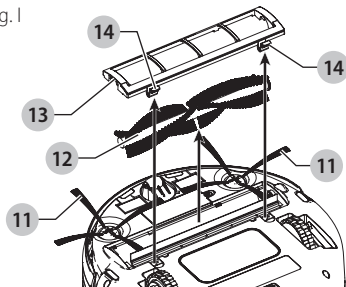


### Assembly and removal of the main brush (Fig. I)

1. Turn the power switch **1** off.
2. Place the vacuum upside down on a flat surface.
3. Pull up on the two brush frame tabs **14** and lift off the main brush frame **13**.
4. Remove the main brush **12**.
5. Remove all hair and debris using the maintenance tool **19**.
6. Assemble in the reverse order.

**NOTE:** When reinstalling the main brush frame, ensure the side brushes **11** are not trapped under the frame.

Fig. I



### Cleaning the brushes

1. Turn the power switch **1** off.
2. Place the vacuum upside down on a flat surface.

#### Cleaning the main brush

1. Clean the main brush regularly with the maintenance tool.
2. Remove all hair and debris using the maintenance tool regularly.

#### Cleaning the side brushes (Fig. B)

1. Remove the side brush retaining screw **20**.
2. Remove the side brush **11**, clean the side brush, then clean debris in the slot **21**.
3. Reinstall side brush and retaining screw.

#### Cleaning the wheels

1. Clean the wheels regularly
2. Remove all hair and debris using the maintenance tool.

**NOTE:** If hair is trapped in the front wheel, using a small screwdriver pry out the wheel. Remove any hair or debris and reinstall the front wheel.

## Cleaning the wall sensor

1. Turn the power switch **1** off.
2. Clean the front lens **8** with a clean, dry cloth.

## Cleaning the ground detection sensors

1. Turn the power switch **1** off.
2. Place the vacuum upside down on a flat surface.
3. Clean the sensor windows **4** with a clean, dry cloth.

## Accessories

Recommended accessories for use with your appliance are available from your local dealer or authorized service center. If you need assistance regarding accessories, please call:

**1-800-544-6986.**



**WARNING:** *The use of any accessory not recommended for use with this appliance could be hazardous.*

## Replacing the filter

The filter should be replaced every 6 months and whenever worn or damaged. Replacement filters are available from your BLACK+DECKER dealer.

## The RBRC® Seal

The RBRC® (Rechargeable Battery Recycling Corporation) Seal on the nickel cadmium, nickel metal hydride or lithium-ion batteries (or battery packs) indicates that the costs to recycle these batteries (or battery packs) at the end of their useful life have already been paid by BLACK+DECKER. In some areas, it is illegal to place spent nickel cadmium, nickel metal hydride or lithium-ion batteries in the trash or municipal solid waste stream and the Call 2 Recycle® program provides an environmentally conscious alternative.

Call 2 Recycle, Inc., in cooperation with BLACK+DECKER and other battery users, has established the program in the United States and Canada to facilitate the collection of spent nickel cadmium, nickel metal hydride or lithium-ion batteries. Help protect our environment and conserve natural resources by returning the spent nickel cadmium, nickel metal hydride or lithium-ion batteries to an authorized BLACK+DECKER service center or to your local retailer for recycling. You may also contact your local recycling center for information on where to drop off the spent battery. RBRC® is a registered trademark of Call 2 Recycle, Inc.

This Class B digital apparatus complies with Canadian ICES-003. This device complies with part 15 of the FCC rules. Operation is subject to the following two conditions:

1. This device may not cause harmful interference, and
2. This device must accept any interference received, including interference that may cause undesired operation.

**NOTE:** This equipment has been tested and found to comply with the limits for a Class B digital device, pursuant to Part 15 of the FCC Rules. These limits are designed to provide reasonable protection against harmful interference in a residential installation. This equipment generates, uses and can radiate radio frequency energy and, if not installed and used in

accordance with the instructions, may cause harmful interference to radio communications. However, there is no guarantee that interference will not occur in a particular installation.

If this equipment does cause harmful interference to radio or television reception, which can be determined by turning the equipment off and on, the user is encouraged to try to correct the interference by one or more of the following measures:

- Reorient or relocate the receiving antenna.
- Increase the separation between the equipment and receiver.
- Connect the equipment into an outlet on a circuit different from that to which the receiver is connected.
- Consult the dealer or an experienced radio/TV technician for help.

Changes or modifications to this unit not expressly approved by the party responsible for compliance could void the user's authority to operate the equipment. This Class B digital apparatus complies with Canadian ICES-003.

## ONE-YEAR LIMITED WARRANTY

BLACK+DECKER warrants this product to be free from defects in material or workmanship for a period of one **1** year following the date of purchase, provided that the product is used in a home environment. This limited warranty does not cover failures due to abuse, accidental damage or when repairs have been made or attempted by anyone other than BLACK+DECKER and its Authorized Service Centers. A defective product meeting the guarantee conditions set forth herein will be replaced or repaired at no charge:

Take or send the product (prepaid) to a BLACK+DECKER owned or authorized Service Center for repair or replacement at BLACK+DECKER's option. Proof of purchase may be required. BLACK+DECKER owned and authorized service centers are listed online at [www.blackanddecker.com](http://www.blackanddecker.com).

This warranty does not apply to accessories. This warranty gives you specific legal rights and you may have other rights which vary from state to state or province to province. Should you have any questions, contact the manager of your nearest BLACK+DECKER Service Center. This product is not intended for commercial use, and accordingly, such commercial use of this product will void this warranty. All other warranties, express or implied, are hereby disclaimed.

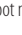

**LATIN AMERICA:** This warranty does not apply to products sold in Latin America. For products sold in Latin America, check country specific warranty information contained in the packaging, call the local company or see the website for such information.

**FREE WARNING LABEL REPLACEMENT:** If your warning labels become illegible or are missing, call 1-800-544-6986 for a free replacement.

Imported by  
Black & Decker (U.S.) Inc.,  
701 E. Joppa Rd.  
Towson, MD 21286 U.S.A.



## TROUBLESHOOTING

Problem	Possible Cause	Possible Solution
<ul style="list-style-type: none"> <li>Vacuum stops cleaning.</li> </ul>	<ul style="list-style-type: none"> <li>Vacuum is in error state.</li> <li>Battery charge is low.</li> <li>Vacuum has completed Quick Clean or Spot mode.</li> </ul>	<ul style="list-style-type: none"> <li>Clear error (see Error indication patterns table)</li> <li>Charge battery.</li> </ul>
<ul style="list-style-type: none"> <li>Vacuum does not charge.</li> </ul>	<ul style="list-style-type: none"> <li>Charger is not plugged in correctly.</li> <li>Power switch on vacuum is not ON</li> </ul>	<ul style="list-style-type: none"> <li>Ensure the charger is fully plugged into outlet and the jack plug is properly plugged into the vacuum or charging dock.</li> <li>Ensure power switch is "ON".</li> </ul>
<ul style="list-style-type: none"> <li>Vacuum only moves backwards or moves a few inches before backing up and stopping.</li> </ul>	<ul style="list-style-type: none"> <li>Floor has dark stripes or spots that the vacuum detects as a drop off.</li> <li>Sensors are dirty.</li> </ul>	<ul style="list-style-type: none"> <li>Only use vacuum on recommended surfaces. (see recommended floor surfaces section)</li> <li>Clean sensors with dry cloth.</li> </ul>
<ul style="list-style-type: none"> <li>Vacuum keeps moving in small circle.</li> </ul>	<ul style="list-style-type: none"> <li>A wheel is blocked.</li> <li>Vacuum is operating in SPOT mode.</li> </ul>	<ul style="list-style-type: none"> <li>Remove debris from blocked wheel.</li> </ul>
<ul style="list-style-type: none"> <li>Vacuum does not detect drop offs.</li> </ul>	<ul style="list-style-type: none"> <li>Sensors are covered.</li> </ul>	<ul style="list-style-type: none"> <li>Clean sensors with dry cloth.</li> </ul>
<ul style="list-style-type: none"> <li>Vacuum will not pair with app.</li> </ul>	<ul style="list-style-type: none"> <li>Vacuum not sufficiently charged.</li> <li>Bluetooth function on mobile device is not turned on.</li> <li>Mobile device located too far from vacuum.</li> <li>Location Services and App Permissions for Locations Services may be turned OFF. (Android Only)</li> <li>Vacuum and mobile device need to be restarted.</li> </ul>	<ul style="list-style-type: none"> <li>Ensure the vacuum is fully charged and restart your mobile device.</li> <li>Ensure Bluetooth function on your mobile device is ON.</li> <li>Move your mobile device closer to the vacuum.</li> <li>Go to your mobile devices preferences and turn ON permissions for the BLACK+DECKER APP.</li> <li>Turn vacuum off and then back on and restart your mobile device. Re-open the BLACK+DECKER App. Attempt to pair the robot vacuum again. Be sure to press and hold the Start/Stop button 3 button on the top of the vacuum for at least five seconds.</li> </ul>
<ul style="list-style-type: none"> <li>Robot will not return to dock.</li> </ul>	<ul style="list-style-type: none"> <li>Robot is out of range to "see" the dock.</li> <li>Robot is obstructed by objects in the cleaning area.</li> <li>Robot may not be paired to dock.</li> </ul>	<ul style="list-style-type: none"> <li>Move robot closer to dock.</li> <li>Clear obstruction from robot's cleaning area.</li> <li>With the unit turned off, ensure the dock is plugged into a wall outlet. Press and hold the charging dock pairing button  and turn the robot power switch  to the ON position. Robot will beep twice when pairing is successful.</li> </ul>
<ul style="list-style-type: none"> <li>Scheduled cleaning will not work.</li> </ul>	<ul style="list-style-type: none"> <li>Vacuum was not reconnected to app after robot was switched OFF.</li> </ul>	<ul style="list-style-type: none"> <li>If at any time, the robot is switched to OFF position, the scheduling function needs to be restored by reconnecting to the app after the unit has been turned on.</li> </ul>
<ul style="list-style-type: none"> <li>Suction power is weak.</li> </ul>	<ul style="list-style-type: none"> <li>Filters are clogged, dustbin full.</li> </ul>	<ul style="list-style-type: none"> <li>Clean dustbin and filters.</li> </ul>
<ul style="list-style-type: none"> <li>Vacuum noise changes during operation.</li> </ul>	<ul style="list-style-type: none"> <li>Debris in rotating brush, wheel or side brush.</li> <li>AUTOSENSE in action - vacuum changes suction power from carpet to hard surface.</li> </ul>	<ul style="list-style-type: none"> <li>Remove debris from brush, wheel or side brush.</li> </ul>

### SEE YOUR BLACK+DECKER APP FOR OTHER TROUBLESHOOTING DETAILS

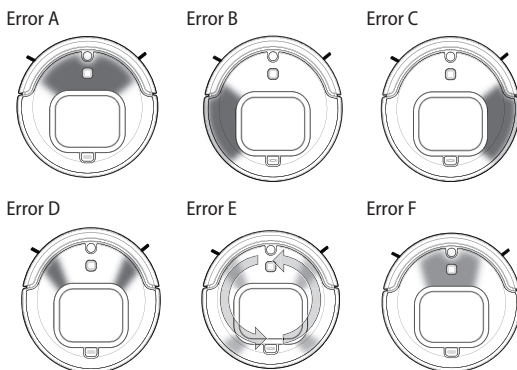
For assistance with your product, visit our website [www.blackanddecker.com](http://www.blackanddecker.com) for the location of the service center nearest you or call the BLACK+DECKER help line at **1-800-544-6986**.

## Error indication patterns\*

\* Error indications only apply to HRV425 vacuum models.

**NOTE: HRV420BP07(NON-LED UNIT) Errors will be indicated by a short recurring beep**

Your robot will indicate several error or status conditions by use of the LEDs. Some of the main errors are:



ERROR CODE	LED PATTERN	POSSIBLE CAUSE	SOLUTION
Error A	Front LEDs flashing Red to OFF.	Main brush stuck.	Clear debris/obstruction from main brush. Press the power button to clear error.
Error B	Left hand side LEDs flashing RED to OFF.	Left wheel stuck.	Clear debris/obstruction from left wheel. Press the power button to clear error.
Error C	Right hand side LEDs flashing RED to OFF.	Right wheel stuck.	Clear debris/obstruction from right wheel. Press the power button to clear error.
Error D	2 front LED sections flashing Red to OFF.	Side Brush stuck.	Clear debris/obstruction from main brush. Press the power button to clear error. <b>NOTE:</b> If there is hair wrapped around the side brush, you may need to uninstall and reinstall the side brush.
Error E	All LEDs Spinning Pattern - Orange to OFF.	Dust Bin not fully inserted.	Press down on the dustbin to fully install into vacuum.
Error F	Front center LED sections flashing Blue to OFF.	Unit shut down, battery level too low to return to charging dock automatically.	Manually return robot to charging dock.

### To clear an error

1. After debris/obstruction has been removed from the vacuum, clear the error by pressing the Start/Stop button **3**.
2. To resume vacuuming, press the Start/Stop button **3** again.

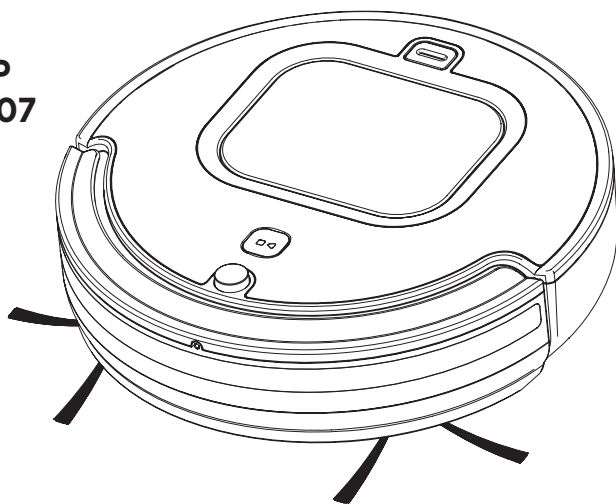
# BLACK+ DECKER™

## ASPIRATEUR ROBOT

### MODE D'EMPLOI

#### NUMERO DE CATALOGUE

HRV425BL  
HRV425BLP  
HRV420BP07



Merci d'avoir choisi BLACK+DECKER! Consulter le site Web

#### À LIRE AVANT DE RETOURNER CE PRODUIT POUR QUELQUE RAISON QUE CE SOIT :

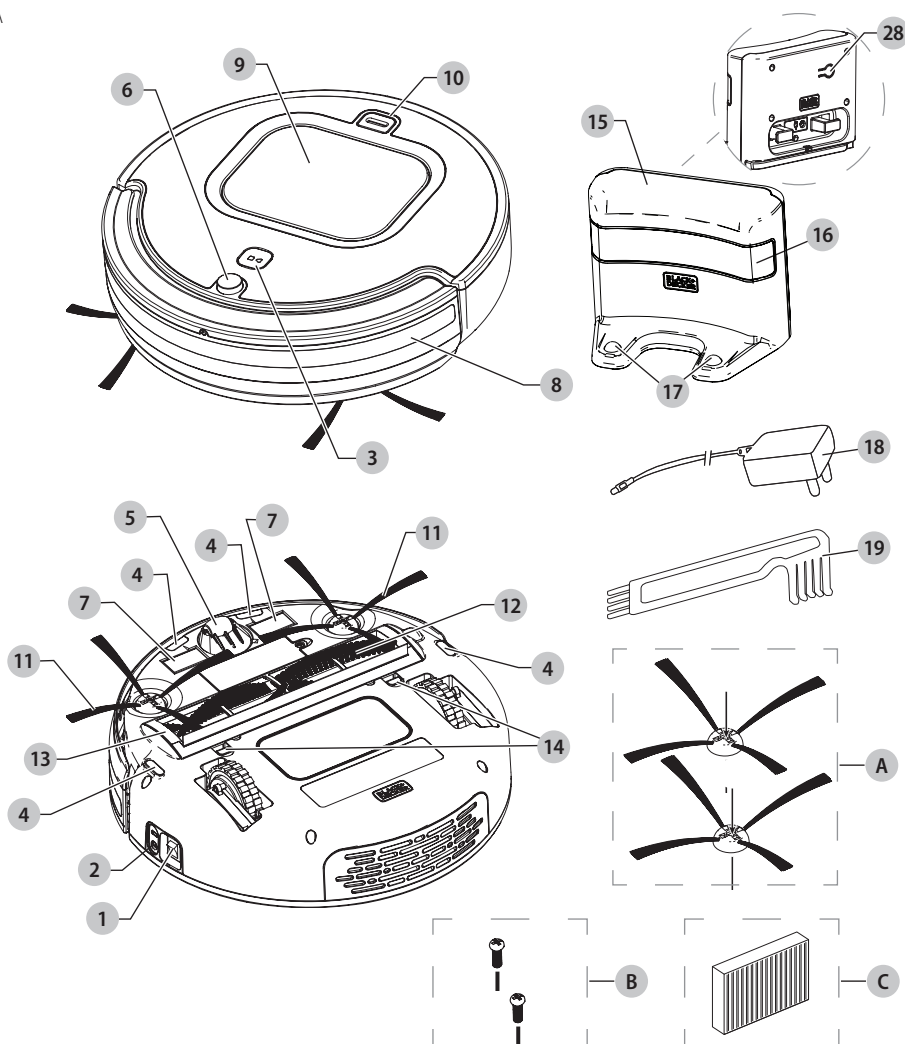
Si des questions ou des problèmes surgissent après l'achat d'un produit BLACK+DECKER, consulter le site Web [www.blackanddecker.com/instantanswers](http://www.blackanddecker.com/instantanswers) pour obtenir des réponses instantanément 24 heures par jour. Si la réponse est introuvable ou en l'absence d'accès à l'Internet, composer le 1 800 544-6986 de 8 h à 17 h HNE, du lundi au vendredi, pour parler avec un agent. Prière d'avoir le numéro de catalogue sous la main lors de l'appel.

Pour l'achat d'un filtre de rechange composer le 1-888-678-7278

**CONSERVER CE MODE D'EMPLOI POUR UN  
USAGE ULTÉRIEUR.**

Consulter le site Web [www.BlackandDecker.com/  
NewOwner](http://www.BlackandDecker.com/NewOwner) pour enregistrer votre nouveau produit.

Fig. A



- 1 Interrupteur
- 2 Prise de chargement
- 3 Bouton Marche/Arrêt
- 4 Cellule de détection du sol
- 5 Roulette avant
- 6 Récepteur infrarouge
- 7 Barrette de chargement
- 8 Lentille avant
- 9 Réservoir à poussière
- 10 Bouton de libération du réservoir à poussière
- 11 Brosses latérales
- 12 Brosse principale

- 13 Châssis de la brosse principale
- 14 Languettes du châssis de la brosse principale
- 15 Station de charge
- 16 Dispositif infrarouge de la station de charge
- 17 Électrodes de charge
- 18 Chargeur de bloc-piles
- 19 Outil d'entretien
- 28 Bouton d'appariement de la station de charge

### Accessoires additionnels

- a. Brosses latérales (2)
- b. Vis des brosses latérales (2)
- c. Filtre H.E.P.A.

# CONSIGNES DE SÉCURITÉ IMPORTANTES

**Pendant l'utilisation de cet appareil, prendre systématiquement des précautions élémentaires, y compris les suivantes :**

## LIRE TOUTES LES INSTRUCTIONS AVANT D'UTILISER CET APPAREIL



**AVERTISSEMENT :** pour réduire tout risque d'incendie, de chocs électriques, ou de dommages corporels :



**AVERTISSEMENT :** lire toutes les instructions et toutes les consignes de sécurité. Tout manquement aux directives et consignes ci-dessous pose des risques de décharges électriques, d'incendie et/ou de dommages corporels graves.



**AVERTISSEMENT :** certaines poussières ménagères contiennent des produits chimiques, comme l'amiante et le plomb dans les peintures à base de plomb, reconnus par l'état californien pour causer cancers, malformations congénitales ou être nocifs pour le système reproducteur.

- Ne pas utiliser à l'extérieur ou sur une surface humide.
- Ne pas permettre son utilisation comme jouet. Rester très vigilant lorsque l'appareil est utilisé par des enfants ou en leur présence.
- Cet appareil n'a pas été conçu pour être utilisé par tout individu (y compris les enfants) affecté de capacités physiques, sensorielles ou mentales limitées, ou manquant d'expérience, de connaissances ou de compétences pour utiliser ce robot. Les enfants ne devraient jamais être laissés seuls avec cet appareil.
- Arrêter l'interrupteur lorsque des enfants ou des animaux doivent rester seuls avec cet appareil.
- Utiliser cet appareil uniquement comme décrit dans ce manuel. Utiliser exclusivement des accessoires recommandés par le fabricant.
- Si l'appareil venait à ne pas fonctionner correctement, s'il est tombé, a été endommagé, laissé dehors ou est tombé à l'eau, le ramener chez un centre de réparation.
- Ne pas monter sur le robot ou y poser des objets.
- Ne pas manipuler le chargeur, y compris sa fiche et les bornes de charge, avec les mains humides.
- Cet appareil doit être utilisé exclusivement pour aspirer des déchets secs. Ne jamais l'utiliser pour aspirer des produits humides ou des liquides.
- Ne pas insérer d'objets dans ses ouvertures. Ne pas l'utiliser si ses ouvertures sont obstruées. Les maintenir propres et exemptes de tout cheveu, poussière, peluche, ou toute autre chose pouvant en réduire la circulation d'air.
- Maintenir les cheveux, les vêtements amples, les doigts, et toute autre partie du corps éloignés des ouvertures et des pièces mobiles.
- Ne pas aspirer des objets incandescents, ou se consommant, comme les cigarettes, les allumettes ou les cendres chaudes.
- Avant toute utilisation, retirer du sol tout objet qui pourrait se faire prendre dans l'appareil, comme les fils électriques, objets fragiles, ficelles, jouets ou vêtements.
- Retirer immédiatement tout objet pris dans l'appareil.
- Replier sous le tapis, le cas échéant, les franges ou tout tissu effiloché. Le robot pourrait attraper ces éléments et défaire le tapis.
- Ne pas utiliser l'appareil sans son réservoir à poussière et/ou son filtre.
- Prévenir tout démarrage accidentel. S'assurer que l'interrupteur est en position d'arrêt avant d'attraper ou de transporter l'appareil. Transporter un appareil le doigt sur l'interrupteur, ou l'alimenter alors que l'interrupteur est en position de marche, invite les accidents.
- Sous certaines conditions inappropriées, le bloc-piles pourra perdre du liquide. Éviter tout contact avec ce liquide. Si cela se produisait, rincer à l'eau claire. En cas de contact oculaire, consulter aussi un médecin. Le liquide perdu par le bloc-piles peut causer irritations ou brûlures.
- Ne plus utiliser l'aspirateur s'il a été endommagé ou modifié. Un bloc-piles endommagé ou modifié pourrait se comporter de façon imprévisible et poser des risques d'incendie, d'explosion ou de dommages corporels.
- Ne pas exposer l'aspirateur au feu ou à des températures excessives. Toute exposition au feu ou à des températures supérieures à 129 °C (265 °F) pose des risques d'explosion.
- Suivre les instructions de charge et ne pas recharger l'aspirateur hors des plages de températures spécifiées dans les instructions. Un chargement incorrect ou à des températures hors de la plage spécifiée pourra réduire la durée de vie du bloc-piles.
- Faire entretenir cet appareil par un réparateur qualifié qui n'utilisera que des pièces de rechange identiques. Cela permettra d'assurer l'intégrité de l'appareil et la sécurité de l'utilisateur.
- Ne pas modifier ou tenter de réparer l'aspirateur, sauf indication contraire incluse dans les instructions d'utilisation et d'entretien.
- Ne pas recharger l'appareil à l'extérieur.
- Pour toute recharge, utiliser exclusivement le chargeur fourni par le fabricant.
- Ne pas incinérer l'appareil, même s'il est sévèrement endommagé. Les blocs-piles pourraient exploser dans le feu.
- Cet appareil a été conçu exclusivement pour l'usage du particulier et non pour un usage commercial ou industriel.
- Maintenir les capteurs propres. S'ils étaient mal entretenus, ils pourraient dysfonctionner.
- Les capteurs de cet appareil pourront ne pas fonctionner correctement sur certains types de sols. Tester l'appareil sur chaque surface avant de le laisser fonctionner en solo.

- Risques de chocs électriques. Pour se protéger contre tout risque de chocs électriques, ne pas immerger l'appareil ou la station de charge dans l'eau ou tout autre liquide.
- Cet appareil ne devrait pas être utilisé sur des sols avec des prises électriques à nu.
- L'appareil doit être placé ou monté loin de tout lavabo/évier ou surface chaude.
- Brancher le chargeur directement dans une prise électrique.
- N'utiliser le chargeur qu'avec une prise électrique standard (120V/60Hz).
- Débrancher le chargeur du secteur avant tout entretien ou maintenance de routine.
- Ne pas regarder dans les orifices d'aération lorsque l'appareil est en marche, car il arrive parfois que de petits débris s'en échappent, surtout après le nettoyage ou le remplacement du filtre qui aurait tendance à les libérer.
- L'interface infrarouge entre l'appareil et la station de charge pourra être compromise si plusieurs robots sont utilisés en même temps ou si le robot est exposé à une lampe halogène.
- Ne pas utiliser l'aspirateur dans les environnements suivants :
  - Humides
  - Inflammables
  - Explosifs
  - Corrosifs
  - Extrêmement chauds
  - Extrêmement froids
- Cet aspirateur a été conçu pour un usage intérieur seulement.
- Ne pas utiliser l'aspirateur pour nettoyer le toner d'une imprimante laser ou d'une photocopieuse.
- Ne pas utiliser l'aspirateur pour nettoyer des objets contondants comme le verre, car cela pourrait l'endommager.
- La station de charge devrait être placée contre un mur et sur une surface de sol plane.
- Ne pas recouvrir le dispositif infrarouge de la station de charge.
- Avant d'entreposer l'aspirateur dans un endroit frais et sec, recharger pleinement le bloc-piles et arrêter l'aspirateur. Déconnecter la station de charge.
- Ne pas soulever l'aspirateur par le capot avant.
- À utiliser seulement avec le chargeur K25V240100X ou avec la station de charge N501228.

### Cet aspirateur est recommandé pour les surfaces de sol suivantes :

- Bois durs/laminés;
- Carreaux de céramique/pierre;
- Moquettes à poils courts ou moyens (non recommandé sur des tapis pelucheux).

**REMARQUE :** l'aspirateur pourra ne pas fonctionner sur certains tapis noirs ou certaines surfaces sombres, car les capteurs pourraient les confondre avec du vide.

### Préparation adéquate des lieux

- Éliminer de la zone à nettoyer tous les cordons des autres appareils ménagers.
- Ne pas utiliser l'aspirateur dans une pièce où un bébé ou un enfant dort.
- Ne pas utiliser l'aspirateur dans une zone où se trouvent des bougies allumées ou des objets fragiles sur le sol à nettoyer.
- Ne pas utiliser l'aspirateur dans une pièce où se trouvent des bougies allumées sur des meubles que l'aspirateur pourrait accidentellement bousculer ou heurter.
- Ne pas permettre aux enfants de s'asseoir sur l'aspirateur.
- Ne pas utiliser l'aspirateur sur une surface humide.
- Vérifier la hauteur des dénivellations. Le robot ne pourra monter des dénivellations supérieures à 10-15 mm (1/2 po).

## CONSERVER CES DIRECTIVES

### Montage

1. Retirez le film protecteur de la lentille avant **8**.
2. Assurez-vous que le réservoir à poussière **9** et la brosse principale **12** sont soigneusement encastrés.

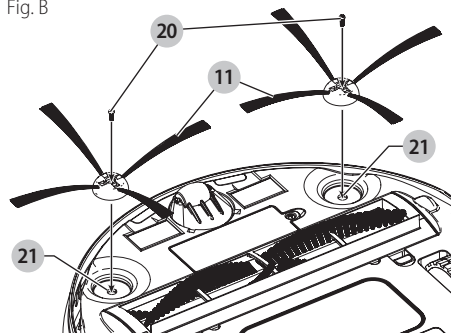
**REMARQUE :** le modèle HRV425BLP est équipé d'une brosse principale standard et d'une brosse anti-poils.

- Pour le nettoyage quotidien général, la brosse principale standard devrait être utilisée.
- Utilisez la brosse anti-poils en présence de poils d'animaux ou de longs cheveux, si la surface comporte un excès de cheveux ou si elle requiert un nettoyage intensif.

### Installation des brosses latérales (Fig. B)

1. Assurez-vous que l'interrupteur **1** est en position d'arrêt **(O)**.
2. Mettez le robot à l'envers sur une surface plane.
3. Sortez les vis de fixation **20** des brosses latérales de l'emballage.
4. Placez les brosses latérales **11** sur leurs orifices **21**.
5. Installez les vis de fixation des brosses latérales.

Fig. B



## Chargement (Fig. C)

Votre aspirateur peut être manuellement rechargé par le connecteur mâle ou automatiquement rechargé par la station de charge.

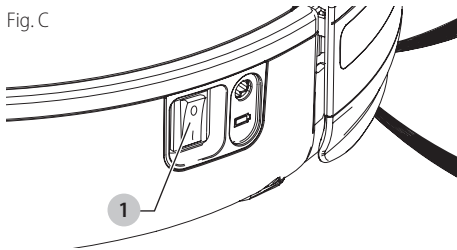
**IMPORTANT :** l'interrupteur **1** **DOIT** être sur la position MARCHE (I) pour recharger l'aspirateur.

- Avant toute première utilisation, le bloc-piles doit être rechargé pendant au moins 4-5 heures.

**REMARQUE :** pendant la recharge, le chargeur pourra chauffer. C'est normal et ne représente nullement une défaillance du produit. L'appareil peut rester connecté à son chargeur indéfiniment.

**AVERTISSEMENT :** ne pas recharger le bloc-piles à une température ambiante inférieure à 10 °C (50 °F) ou supérieure à 40 °C (104 °F).

Fig. C

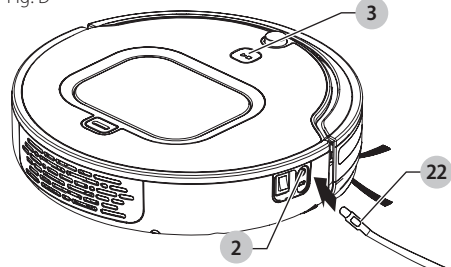


## Chargement manuel (Fig. D)

**IMPORTANT :** l'interrupteur **1** **DOIT** être sur la position MARCHE (I) pour recharger l'aspirateur.

1. Branchez le chargeur du bloc-piles **18** dans une prise murale.
2. Insérez le connecteur mâle **22** du chargeur dans la prise de chargement **2** de l'aspirateur.
3. Le bouton Marche/Arrêt **3** clignotera et émettra un bip bref, pour annoncer que l'aspirateur se recharge. Le bouton DEL Marche/Arrêt s'éteindra lorsque l'aspirateur sera pleinement rechargé.

Fig. D



## Rechargement automatique (Fig. E, F)

**IMPORTANT :** l'interrupteur **1** **DOIT** être sur la position MARCHE (I) pour recharger l'aspirateur.

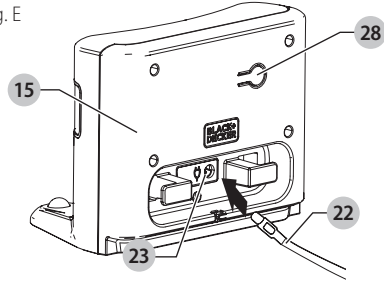
1. Branchez le chargeur du bloc-piles **18** dans une prise murale.
2. Insérez le connecteur mâle **22** du chargeur dans la prise de chargement **23** de la station de charge, comme illustré en **Figure E**.

3. Placez la base de la station de charge sur un sol plane avec l'arrière du chargeur contre un mur.

**REMARQUE :** ne rien placer sous la station de charge. Cela empêcherait l'aspirateur de se recharger automatiquement.

**REMARQUE :** laisser un espace minimum de 122 cm (48 po) tout autour de la station de charge.

Fig. E



4. Placez le robot sur la station de charge de façon à ce que les électrodes de charge **17** touchent les deux barrettes de chargement **7**, comme illustré en **Figure F**.

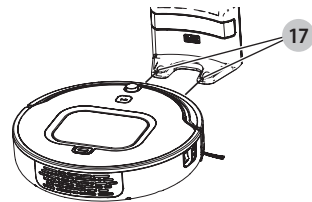
5. Le bouton Marche/Arrêt **3** clignotera et émettra un bip bref, pour annoncer que l'aspirateur se recharge. Le bouton DEL Marche/Arrêt s'éteindra lorsque l'aspirateur sera pleinement rechargé.

**REMARQUE :** il est possible de vérifier le statut de charge de l'aspirateur depuis l'appli BLACK+DECKER.

**REMARQUE :** en mode Spirale ou Nettoyage rapide, l'aspirateur terminera son cycle de nettoyage avant de s'arrêter sans retourner à la station de charge, à moins que le niveau de charge du bloc-piles soit faible, ce qui le ramènera à la station de charge.

**REMARQUE :** en mode AUTO, le robot recherchera sa station de charge lorsque la charge du bloc-piles sera faible. Cependant, si la pièce est trop vaste ou si un obstacle dissimule la station au robot, il se pourra qu'il ne puisse pas retrouver la station pour s'y recharger automatiquement. Si c'était le cas, placez l'aspirateur sur la station de charge, comme expliqué ci-dessus.

Fig. F



## Utilisation de l'appli BLACK+DECKER pour contrôler l'aspirateur robot

L'appli BLACK+DECKER vous permet de contrôler et de vous connecter à votre aspirateur robot à partir d'un appareil mobile compatible. Une fois l'appli téléchargée, connectez votre appareil à l'aspirateur. Vous pouvez alors utiliser l'appli pour contrôler le robot.

**REMARQUE :** le robot doit se trouver à portée du Bluetooth de votre appareil mobile pour être contrôlé.

## Vous pouvez utiliser l'appli BLACK+DECKER pour :

- Paramétrer un nettoyage automatique sur les jours et heures de votre choix.

**REMARQUE :** si à un moment quelconque, le robot venait à être mis en position d'ARRÊT, le paramétrage devra être restauré en se reconnectant à l'appli une fois l'appareil remis en marche.

- Initier un nettoyage spirale, rapide ou manuel.
- Contrôler le niveau de charge du bloc-piles du robot.
- Ajouter un autre aspirateur robot BLACK+DECKER à votre appareil.
- Consulter la section FAQ dépannage pour apprendre comment régler les erreurs ou problèmes courants.
- Créer un compte pour recevoir du matériel promotionnel.
- Déconnecter l'appareil du robot.

### Pour télécharger l'appli BLACK+DECKER App et connecter votre appareil, effectuez ce qui suit :

1. Téléchargez l'application BLACK+DECKER à :



2. Faites un double-clic sur l'icône de l'appli BLACK+DECKER pour lancer l'appli sur votre appareil. La page de l'appli, CONDITIONS GÉNÉRALES, s'affichera.

**REMARQUE :** l'appli BLACK+DECKER est régie par ses conditions générales propres mises à votre disposition sur l'application mobile.

3. Faites défiler la page de l'appli CONDITIONS GÉNÉRALES pour pouvoir cliquer sur le bouton Accepter.
4. Cliquez sur le bouton Accepter pour continuer. La page CRÉER UN COMPTE s'affiche.
5. Choisissez l'une des options suivantes sur la page CRÉER UN COMPTE :
  - Complétez et soumettez le formulaire si vous désirez créer un compte utilisateur Stanley Black & Decker (SBD). SBD vous enverra des courriels promotionnels à l'adresse courriel spécifiée.
  - Cliquez sur Sauter pour continuer sans créer de compte utilisateur SBD.
6. ANDROID SEULEMENT ; iOS, passez à l'étape suivante. Lorsque l'écran Configuration rapide s'affiche, assurez-vous que les cases : Bluetooth activé, Services de recherche, et Permissions appli sont cochées puis cliquez sur Continuer.
7. Sur l'écran Sélectionner produit, cliquez sur l'icône de l'aspirateur robot pour connecter le robot à votre appareil mobile.

**IMPORTANT :** l'interrupteur ❶ DOIT être sur la position MARCHÉ (I) pour appairer l'aspirateur.

8. Lorsque l'écran Connexion s'affiche, maintenez le bouton Marche/Arrêt ❸ sur le robot appuyé pour connecter l'appareil mobile à l'aspirateur. Un message

de confirmation s'affichera une fois le processus de connexion terminé, puis un tutoriel optionnel pour expliquer les fondamentaux de l'appli Robot.

### Pour afficher le guide d'utilisation de l'appli et la FAQ dépannage :

1. Cliquez sur l'icône Paramètres pour lancer la page Paramètres.
2. Cliquez sur le guide d'utilisation de l'appli pour afficher les instructions relatives à l'utilisation des fonctionnalités de l'appli BLACK+DECKER et de ses écrans.
3. Cliquez sur FAQ pour afficher des conseils relatifs au dépannage du robot.

## Contrôle manuel de l'aspirateur

- Si vous choisissez d'utiliser l'aspirateur sans l'appli, assurez-vous que l'interrupteur ❶ est en position de marche (I).
- Appuyez une fois sur le bouton Marche/Arrêt ❸ et l'appareil se mettra à nettoyer en mode Auto. Appuyez à nouveau sur le bouton Marche/Arrêt ❸ pour arrêter le nettoyage.
- Lorsque le cycle de nettoyage sera terminé, l'aspirateur recherchera automatiquement sa station de charge.

## Maintenance



**AVERTISSEMENT :** s'assurer que l'aspirateur a séché complètement avant de l'utiliser.

- Nettoyer le robot seulement avec un savon doux et un chiffon humide. Ne laisser aucun liquide pénétrer dans le robot. Ne jamais immerger aucune partie du robot dans un liquide.

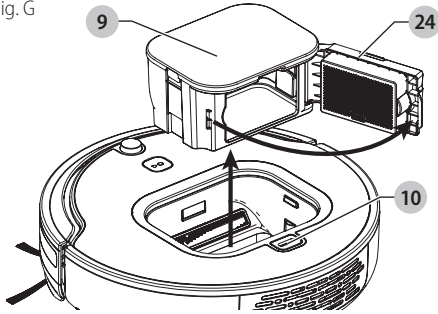
**IMPORTANT :** pour assurer votre SÉCURITÉ et la FIABILITÉ du produit, toute réparation, et tout entretien et réglage (autres que ceux décrits dans ce manuel) doivent être effectués par des centres de service agréés ou tout autre personnel de réparation qualifié, en utilisant systématiquement des pièces de rechange identiques.

### Vidange du réservoir à poussière (Fig. G)

1. Arrêtez l'interrupteur ❶.
2. Appuyez sur le bouton de libération ❿ du réservoir à poussière qui sortira du dessus du robot.
3. Sortez le réservoir à poussière complètement.
4. Ouvrez le volet du filtre 24 et videz le contenu du réservoir à poussière.

**REMARQUE :** le réservoir à poussière peut être lavé à l'aide d'un savon doux et de l'eau. Assurez-vous que le réservoir est complètement sec avant de le réinstaller.

Fig. G



### Nettoyage du filtre (Fig. H)

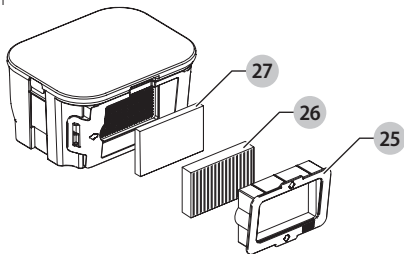
1. Arrêtez l'interrupteur ❶.
2. Retirez le réservoir à poussière 9 comme expliqué ci-dessus.
3. Retirez le cadre du filtre bleu ou violet 25. Retirez avec soin le filtre plissé 26 et le filtre éponge 27.
4. Pour éliminer la poussière des filtres, utilisez l'outil d'entretien ou lavez les deux filtres à l'eau courante tiède.

**REMARQUE :** s'assurer que les deux filtres sont complètement secs avant de les réinstaller.

5. Réinstallez les filtres secs dans le cadre de filtre. Insérez le cadre de filtre dans le réservoir à poussière, puis réinstallez le réservoir à poussière dans le robot.

**⚠ AVERTISSEMENT :** ne jamais utiliser l'appareil sans son filtre. L'aspiration ne sera optimale qu'avec un filtre propre.

Fig. H

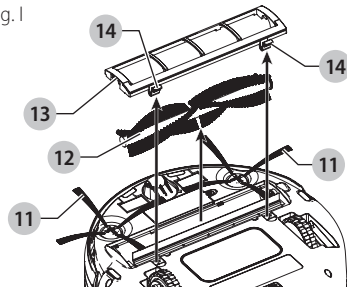


### Installation et retrait de la brosse principale (Fig. I)

1. Arrêtez l'interrupteur ❶.
2. Mettez le robot à l'envers sur une surface plane.
3. Poussez sur les deux languettes 14 du châssis de la brosse et soulevez le châssis de la brosse principale 13.
4. Retirez la brosse principale 12.
5. Éliminez cheveux et débris à l'aide de l'outil d'entretien 19.
6. Réassemblez en sens inverse.

**REMARQUE :** avant de réinstaller le châssis de la brosse principale, s'assurer que les brosses latérales 11 ne sont pas coincées sous le châssis.

Fig. I



### Entretien des brosses

1. Arrêtez l'interrupteur ❶.
2. Mettez le robot à l'envers sur une surface plane.

#### Entretien de la brosse principale

1. Nettoyez la brosse principale régulièrement avec l'outil d'entretien.
2. Éliminez cheveux et débris régulièrement à l'aide de l'outil d'entretien.

#### Entretien des brosses latérales (Fig. B)

1. Retirez la vis de fixation de la brosse latérale 20.
2. Retirez la brosse latérale 11 et nettoyez-la puis nettoyez tout débris de son logement 21.
3. Réinstallez la brosse latérale et la vis de fixation.

#### Entretien des roues

1. Nettoyez les roulettes régulièrement.
2. Éliminez cheveux et débris à l'aide de l'outil d'entretien.

**REMARQUE :** si des cheveux sont coincés autour de la roulette avant, utiliser un petit tournevis pour extraire la roulette. Retirer cheveux et débris puis réinstaller la roulette avant.

### Entretien du détecteur de mur

1. Arrêtez l'interrupteur ❶.
2. Nettoyez la lentille avant 8 avec un chiffon propre et doux.

### Nettoyage des cellules de détection du sol

1. Arrêtez l'interrupteur ❶.
2. Mettez le robot à l'envers sur une surface plane.
3. Nettoyez les cellules de détection 4 avec un chiffon propre et doux.

### Accessoires

Les accessoires recommandés pour cet appareil sont vendus séparément chez votre distributeur local ou dans un centre de service agréé. Pour obtenir plus d'informations sur ces accessoires, veuillez appeler le **1-800-544-6986**.

**⚠ AVERTISSEMENT :** l'usage d'un accessoire non recommandé avec cet appareil peut présenter un danger.

### Remplacement du filtre

Le filtre devrait être remplacé tous les 6 mois ou chaque fois qu'il est détérioré ou endommagé. Des filtres de

remplacement sont disponibles auprès de votre distributeur BLACK+DECKER.

## Le sceau SRPRC<sup>MD</sup>

Le sceau SRPRC<sup>MD</sup> (Société de recyclage des piles rechargeables au Canada) apposé sur une pile (ou bloc-piles) au nickel-cadmium, à hydrure métallique de nickel ou au lithium-ion indique que les coûts de recyclage de ces derniers en fin d'utilisation ont déjà été réglés par BLACK+DECKER. Dans certaines régions, la mise au rebut ou aux ordures municipales des piles usagées au nickel-cadmium, à l'hydrure métallique de nickel ou au lithium-ion, est illégale; le programme Appel à recycler<sup>MD</sup> constitue donc une solution pratique et écologique.

Appel à recycler, Inc. en collaboration avec BLACK+DECKER et d'autres utilisateurs de piles, a mis sur pied des programmes aux États-Unis et au Canada pour faciliter la collecte des piles au nickel-cadmium, à l'hydrure métallique de nickel ou au lithium-ion usagées. Aidez-nous à protéger l'environnement et à conserver nos ressources naturelles en renvoyant les piles au nickel-cadmium, à l'hydrure métallique de nickel ou au lithium-ion usagées à un centre de réparation autorisé BLACK+DECKER ou chez votre détaillant afin qu'elles y soient recyclées. On peut en outre se renseigner auprès d'un centre de recyclage local pour connaître les autres sites les acceptant. RBRCMD est une marque déposée d'Appel à recycler, Inc.

Cet appareil numérique de Classe B est conforme aux normes canadiennes ICES-003.

Cet appareil est conforme au paragraphe 15 du règlement du FCC. Son utilisation est sujette aux deux conditions suivantes :

1. Ce dispositif ne doit pas causer d'interférences nuisibles; et
2. Ce dispositif doit accepter toute interférence reçue, y compris toute interférence pouvant causer un fonctionnement indésirable.

**REMARQUE :** cet appareil a été testé et approuvé conformément aux normes propres aux appareils numériques de classe B conformément au Paragraphe 15 du règlement du FCC. Ces limites ont été conçues pour offrir une protection raisonnable contre les interférences nuisibles au sein d'une installation résidentielle. Cet équipement produit, utilise et peut émaner des ondes radiofréquences qui, s'il n'est pas installé et utilisé conformément aux directives, pourront causer des interférences nuisibles aux communications radio. Cependant, en fonction des installations réalisées, l'absence d'interférences n'est pas garantie.

Si cet équipement cause des interférences nuisibles à la réception radio ou télévision, (ce qui peut être déterminé par la mise sous/hors tension de cet équipement) l'utilisateur est encouragé à tenter de corriger ces interférences en prenant l'une ou plusieurs des mesures suivantes :

- Réorienter l'antenne de réception ou en changer l'emplacement.
- Augmenter la distance entre l'équipement et le récepteur.

- Brancher l'équipement à une prise située sur un circuit différent de celui sur lequel le récepteur est connecté.
- Contacter un revendeur ou consulter un technicien radio/télé qualifié.

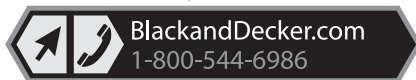
Tout changement ou modification de cet appareil non expressément approuvé par la partie responsable de sa conformité pourra annuler le droit à l'utilisateur d'utiliser l'appareil. Cet appareil numérique de Classe B est conforme aux normes canadiennes ICES-003.

## GARANTIE LIMITÉE UN ANS

Black & Decker (É.-U.) Inc. garantit que le produit est exempt de défauts de matériau et de fabrication pendant un (1) ans à partir de la date d'achat, à condition que le produit soit utilisé en milieu domestique. La présente garantie limitée ne couvre pas les défaillances provoquées par un abus, un dommage accidentel ou des réparations ou tentatives de réparations effectuées par toute autre personne que le personnel de Black+Decker et de ses centres de réparation agréés. Un produit défectueux qui remplit les conditions stipulées par la présente garantie sera remplacé ou réparé sans frais suivantes : Envoyer le produit (en port payé) à un centre de réparation agréé ou à un centre de réparation Black+Decker pour faire réparer ou échanger le produit, à la discrétion de Black+Decker. Une preuve d'achat peut être requise. Les centres de réparation de Black+Decker et les centres de réparation ou en ligne sur [www.blackanddecker.com](http://www.blackanddecker.com).

Cette garantie ne s'applique pas aux accessoires. Cette garantie accorde des droits légaux propres au propriétaire de l'outil. Ce dernier pourrait avoir d'autres droits selon l'État ou la province qu'il habite. Pour toute question, communiquer avec le directeur du centre de réparation Black+Decker le plus près. Ce produit n'est pas destiné à un usage commercial. L'usage commercial de ce produit annule par conséquent cette garantie. Toutes autres garanties, expresses ou implicites, sont déclinées par la présente.

Importé par Black & Decker (U. S.) Inc., 701 E. Joppa Rd. Towson, MD 21286 U. S. A.



## GUIDE DE DÉPANNAGE

Problème	Cause probable	Solution possible
<ul style="list-style-type: none"> <li>Le robot refuse de nettoyer.</li> </ul>	<ul style="list-style-type: none"> <li>Statut d'erreur du robot.</li> <li>La charge du bloc-piles est faible.</li> <li>Le robot a terminé son action en mode Spirale ou Nettoyage rapide.</li> </ul>	<ul style="list-style-type: none"> <li>Annuler l'erreur (se reporter au tableau de configuration des voyants d'erreur).</li> <li>Recharger le bloc-piles.</li> </ul>
<ul style="list-style-type: none"> <li>Le robot refuse de se recharger.</li> </ul>	<ul style="list-style-type: none"> <li>Le chargeur n'est pas correctement connecté.</li> <li>L'interrupteur du robot n'est pas en MARCHE.</li> </ul>	<ul style="list-style-type: none"> <li>S'assurer que le chargeur est bien connecté à sa prise et que le connecteur mâle est bien connecté au robot ou à la station de charge.</li> <li>Vérifier que l'interrupteur est en « MARCHE ».</li> </ul>
<ul style="list-style-type: none"> <li>Le robot n'avance qu'à reculons ou ne bouge que de quelques centimètres avant de reculer puis s'arrêter.</li> </ul>	<ul style="list-style-type: none"> <li>Il y a des bandes sombres ou des taches sur le sol que le robot prend pour du vide.</li> <li>Les capteurs sont sales.</li> </ul>	<ul style="list-style-type: none"> <li>N'utiliser le robot que sur les surfaces recommandées. (Se reporter à la section relative aux surfaces de sol recommandées)</li> <li>Nettoyer les capteurs avec un chiffon sec.</li> </ul>
<ul style="list-style-type: none"> <li>Le robot se déplace constamment en petits cercles.</li> </ul>	<ul style="list-style-type: none"> <li>Une roulette est bloquée.</li> <li>Le robot est en mode SPIRALE.</li> </ul>	<ul style="list-style-type: none"> <li>Éliminer tout débris de la roulette bloquée.</li> </ul>
<ul style="list-style-type: none"> <li>Le robot ne détecte pas les vides.</li> </ul>	<ul style="list-style-type: none"> <li>Les capteurs sont obstrués.</li> </ul>	<ul style="list-style-type: none"> <li>Nettoyer les capteurs avec un chiffon sec.</li> </ul>
<ul style="list-style-type: none"> <li>Le robot refuse de s'apparier avec l'appli.</li> </ul>	<ul style="list-style-type: none"> <li>Le robot n'est pas suffisamment rechargé.</li> <li>La fonction Bluetooth de l'appareil mobile n'est pas activée.</li> <li>L'appareil mobile est trop loin du robot.</li> <li>Les Services de recherche et les Permissions appli des Services de recherche sont peut-être désactivés. (Android seulement)</li> <li>Le robot et l'appareil mobile doivent être redémarrés.</li> </ul>	<ul style="list-style-type: none"> <li>S'assurer que le robot est pleinement rechargé puis redémarrer l'appareil mobile.</li> <li>S'assurer que la fonction Bluetooth de l'appareil mobile est ACTIVÉE.</li> <li>Rapprocher l'appareil mobile du robot.</li> <li>Aller sur les préférences de l'appareil mobile pour ACTIVER les permissions de l'APPLI BLACK+DECKER.</li> <li>Arrêter le robot puis le redémarrer et redémarrer l'appareil mobile. Rouvrir l'appli BLACK+DECKER pour tenter d'apparier à nouveau le robot. S'assurer de maintenir appuyé le bouton Marche/Arrêt 3 sur le dessus du robot pendant au moins cinq secondes.</li> </ul>
<ul style="list-style-type: none"> <li>Le robot refuse de retourner à sa station de charge.</li> </ul>	<ul style="list-style-type: none"> <li>Le robot est hors plage pour « détecter » la station.</li> <li>Des objets obstruent le chemin du robot sur la zone à nettoyer.</li> <li>Le robot peut ne pas être apparié à sa station.</li> </ul>	<ul style="list-style-type: none"> <li>Rapprocher le robot de sa station de charge.</li> <li>Éliminer toute obstruction sur la zone à nettoyer.</li> <li>Alors que le robot est à l'arrêt, vérifier que la station est bien branchée dans une prise murale. Maintenir appuyé le bouton d'appariement (28) sur la station de charge et mettre l'interrupteur du robot 1 sur la position MARCHE. Le robot bipera deux fois lorsque l'appariement réussit.</li> </ul>
<ul style="list-style-type: none"> <li>Le nettoyage programmé refuse de s'effectuer.</li> </ul>	<ul style="list-style-type: none"> <li>Le robot n'a pas été reconnecté à l'appli après avoir été arrêté.</li> </ul>	<ul style="list-style-type: none"> <li>Si à tout moment, le robot est mis en position d'ARRÊT, la fonction de programmation doit être restaurée en le reconnectant à l'appli une fois le robot remis en marche.</li> </ul>
<ul style="list-style-type: none"> <li>La puissance d'aspiration est faible.</li> </ul>	<ul style="list-style-type: none"> <li>Les filtres sont bouchés, le réservoir est plein.</li> </ul>	<ul style="list-style-type: none"> <li>Nettoyer le réservoir et les filtres.</li> </ul>
<ul style="list-style-type: none"> <li>Le bruit fait par le robot change pendant l'opération.</li> </ul>	<ul style="list-style-type: none"> <li>Il y a des débris sur la brosse rotative, les roulettes ou la brosse latérale.</li> <li>La fonction AUTONSENSE est activée : le robot passe sa puissance d'aspiration de moquette à surface dure.</li> </ul>	<ul style="list-style-type: none"> <li>Éliminer tout débris de la brosse, des roulettes ou de la brosse latérale.</li> </ul>

## SE REPORTER À L'APPLI BLACK+DECKER POUR PLUS DE DÉTAILS QUANT AU DÉPANNAGE

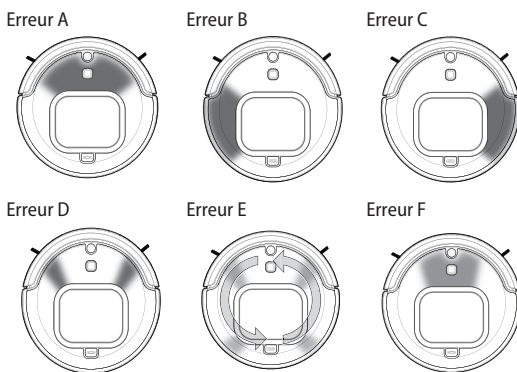
Pour toute assistance technique concernant votre produit, veuillez visiter notre site Web [www.blackanddecker.com](http://www.blackanddecker.com) pour connaître l'emplacement de votre centre de réparation le plus proche ou appeler le numéro d'urgence BLACK+DECKER au 1-800-544-6986.

## Configuration des voyants d'erreur\*

\* Les voyants d'erreur ne concernent que les modèles d'aspirateur HRV425.

**REMARQUE : les erreurs du modèle HRV420BP07 (modèle SANS-DEL) seront indiquées par un bip bref et récurrent.**

Votre robot indiquera certaines erreurs ou statuts au travers des voyants DEL. Certaines des erreurs principales sont :



CODE D'ERREUR	CONFIGURATION DEL	CAUSE PROBABLE	SOLUTION
<b>Erreur A</b>	Les DEL avant clignotent Rouge.	Brosse principale coincée.	Éliminer débris/obstruction de la brosse principale. Appuyer sur l'interrupteur pour annuler le message d'erreur.
<b>Erreur B</b>	Les DEL du côté gauche clignotent Rouge.	Roulette gauche coincée.	Éliminer débris/obstruction de la roulette gauche. Appuyer sur l'interrupteur pour annuler le message d'erreur.
<b>Erreur C</b>	Les DEL du côté droit clignotent Rouge.	Roulette droite coincée.	Éliminer débris/obstruction de la roulette droite. Appuyer sur l'interrupteur pour annuler le message d'erreur.
<b>Erreur D</b>	2 DEL de la section avant clignotent Rouge.	Brosse latérale coincée.	Éliminer débris/obstruction de la brosse latérale. Appuyer sur l'interrupteur pour annuler le message d'erreur. <b>REMARQUE :</b> si des cheveux sont emmêlés autour de la brosse latérale, il pourra être nécessaire de retirer puis réinstaller la brosse latérale.
<b>Erreur E</b>	Toutes les DEL s'allument chacune à leur tour Orange.	Le réservoir à poussière n'est pas pleinement inséré.	Appuyer à fond sur le réservoir pour l'encaster dans le robot.
<b>Erreur F</b>	Une DEL de la section centrale avant clignote Bleu.	L'appareil va s'éteindre, le niveau de charge est trop faible pour que le robot puisse retourner automatiquement à la station de charge.	Ramener manuellement le robot sur sa station de charge.

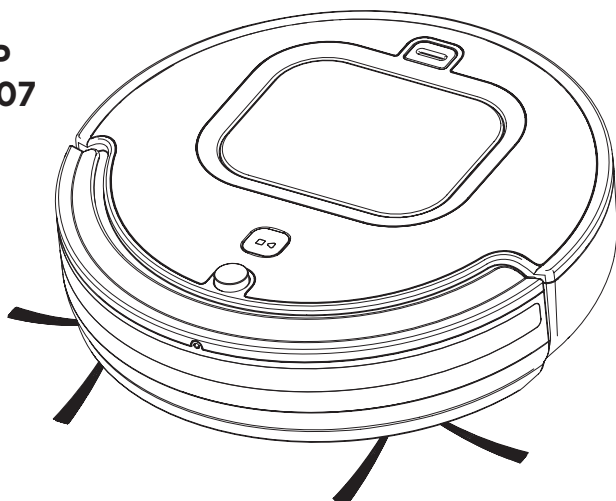
### Pour annuler un message d'erreur

- Une fois les débris/obstructions éliminés du robot, annulez le message d'erreur en appuyant sur le bouton Marche/Arrêt **3**.
- Pour remettre le robot en marche, appuyez à nouveau sur le bouton Marche/Arrêt **3**.

# BLACK+ DECKER™

## ROBOT ASPIRADOR MANUAL DE INSTRUCCIONES

CATÁLOGO N°  
HRV425BL  
HRV425BLP  
HRV420BP07



Gracias por elegir BLACK+DECKER!

### LEA EL MANUAL ANTES DE DEVOLVER ESTE PRODUCTO POR CUALQUIER MOTIVO:

Si tiene una consulta o algún inconveniente con su producto BLACK+DECKER, visite <http://www.blackanddecker.com/instantanswers> para obtener respuestas instantáneas las 24 horas del día.

Si no encuentra la respuesta o no tiene acceso a Internet, llame al 1-800-544-6986 de lunes a viernes de 8 a. m. a 5 p. m. hora del Este para hablar con un agente.

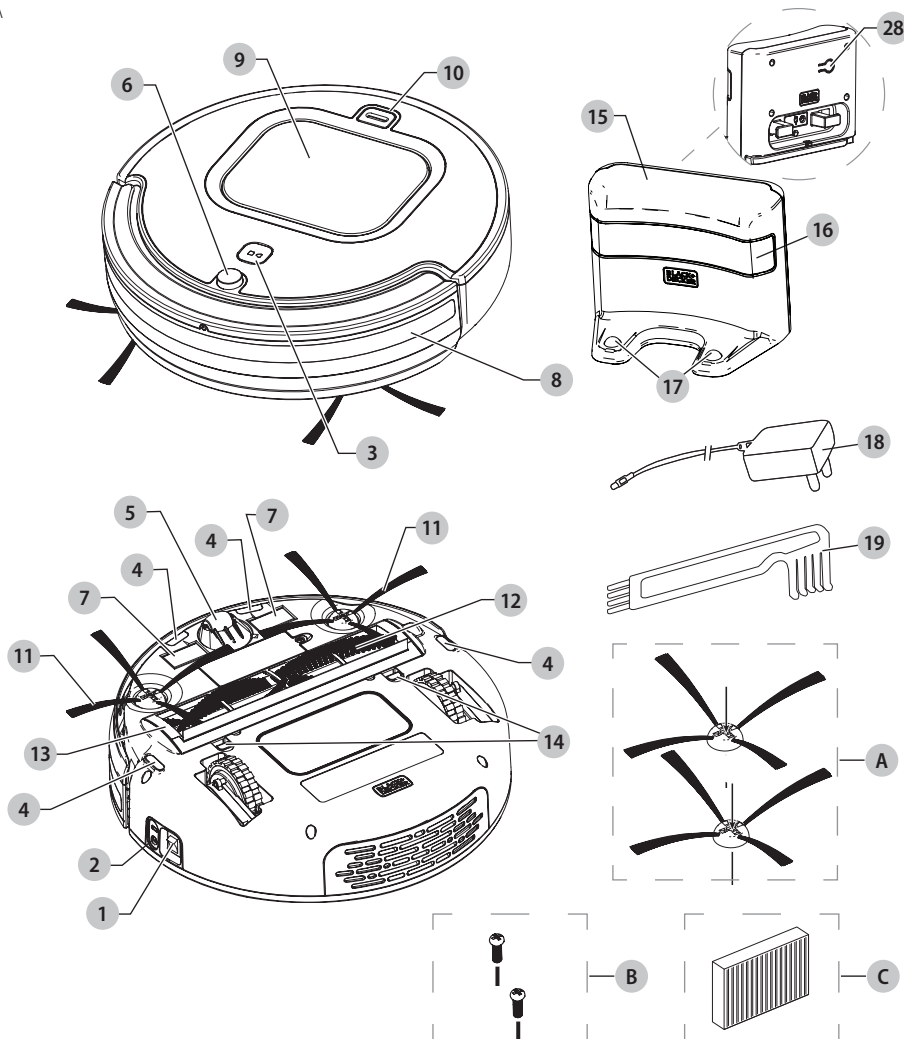
Cuando llame, tenga a mano el número de catálogo.

Para comprar un filtro de repuesto llame al 1-888-678-7278.

**CONSERVE ESTE MANUAL PARA FUTURAS CONSULTAS.  
SÓLO PARA USO DOMÉSTICO.**

**Visite [www.BlackandDecker.com/NewOwner](http://www.BlackandDecker.com/NewOwner)  
para registrar su nuevo producto.**

Fig. A



- 1 Interruptor de alimentación
- 2 Enchufe de carga
- 3 Botón de inicio/parada
- 4 Sensor detector de suelo
- 5 Rueda frontal
- 6 Receptor infrarrojo
- 7 Placa de carga
- 8 Lente frontal
- 9 Depósito colector de polvo
- 10 Botón de liberación del depósito colector de polvo
- 11 Cepillos laterales
- 12 Cepillo principal

- 13 Marco del cepillo principal
- 14 Lengüetas del marco del cepillo principal
- 15 Base de carga
- 16 Ventana de infrarrojo de la base de carga
- 17 Electrodo de carga
- 18 Cargador de batería
- 19 Herramienta de mantenimiento
- 28 Botón de sincronización de la base de carga

**Accesorios adicionales**

- a. Cepillos laterales (2)
- b. Tornillos de cepillos laterales (2)
- c. Filtro HEPA

# INSTRUCCIONES DE SEGURIDAD IMPORTANTES

**Al utilizar un aparato eléctrico, siempre deben seguirse precauciones básicas, incluidas las siguientes:**

## LEA TODAS LAS INSTRUCCIONES ANTES DE UTILIZAR ESTE APARATO



**ADVERTENCIA:** Para reducir el riesgo de incendio, descarga eléctrica o lesiones:



**ADVERTENCIA:** Lea todas las advertencias de seguridad y todas las instrucciones.

El incumplimiento de las advertencias e instrucciones que figuran a continuación podría provocar una descarga eléctrica, un incendio y/o lesiones graves.



**ADVERTENCIA:** Algunos polvos del hogar contienen sustancias químicas que, según el Estado de California, causan cáncer, defectos de nacimiento u otros daños reproductivos, como asbesto y plomo en la pintura a base de plomo.

- No utilice el aparato al aire libre ni en superficies mojadas.
- No permita que se utilice como un juguete. Es preciso prestar una atención especial cuando sea utilizado por niños o cerca de ellos.
- Este producto no está diseñado para ser utilizado por personas (incluidos niños) que tengan capacidades físicas, sensoriales o mentales inadecuadas o que carezcan de la experiencia, conocimientos o aptitudes para operar el robot. No debe nunca dejarse solos a los niños con este producto.
- Apague el interruptor de alimentación cuando haya niños o mascotas solos con el aparato.
- Utilícelo solamente como se describe en este manual. Use únicamente accesorios recomendados por el fabricante.
- Si el aparato no funciona como debería, o si se ha caído, dañado, dejado a la intemperie, o se ha caído en agua, devuélvelo a un centro de servicio.
- No pise el robot ni ponga objetos encima de él.
- No maneje el cargador, incluido el enchufe del cargador y los terminales del cargador, con las manos mojadas.
- Este aparato debería utilizarse únicamente para limpieza en seco. No lo utilice para limpiar algo mojado o líquidos de ningún tipo.
- No ponga ningún objeto en las aberturas. No utilice este aparato si tiene alguna abertura bloqueada; manténgalo sin polvo, pelusa, pelo o cualquier otra cosa que pueda reducir el flujo de aire.
- Mantenga su cabello, vestimenta suelta, dedos y todo su cuerpo alejados de las aberturas y piezas en movimiento.
- No recoja nada que se esté quemando o que esté humeando, como cigarrillos, fósforos o cenizas calientes.
- Antes de usarlo, retire cualquier objeto del piso que pueda engancharse en el aparato, como cables eléctricos, artículos frágiles, cuerdas, juguetes o ropa.
- Retire inmediatamente cualquier objeto que esté atrapado en el aparato.
- Para alfombras con borlas o tela suelta, dóblelas por debajo de la alfombra. El aparato puede agarrar la alfombra y deshilacharla.
- No lo use sin el depósito de recolección de polvo y/o el filtro en su sitio.
- Evite la puesta en funcionamiento involuntaria. Asegúrese de que el interruptor esté en posición de apagado antes de levantar o transportar el aparato. El transportar el aparato con el dedo puesto en el interruptor o enchufar el aparato con el interruptor encendido puede provocar accidentes.
- En condiciones de abuso, el líquido puede salirse de la batería; evite el contacto. Si se produce un contacto de forma accidental, enjuague con agua. Si el líquido entra en contacto con los ojos, busque atención médica. El líquido que sale de la batería puede causar irritación o quemaduras.
- No use el aspirador si está dañado o modificado. Las baterías dañadas o modificadas pueden funcionar de forma imprevisible y ocasionar un incendio, explosión o riesgo de lesión.
- No exponga el aspirador al fuego ni a una temperatura excesiva. La exposición al fuego o a una temperatura superior a los 130 °C (265 °F) puede ocasionar una explosión.
- Siga todas las instrucciones de carga y no cargue el aspirador fuera del rango de temperatura especificado en las instrucciones. La carga inadecuada o a temperaturas fuera del rango especificado puede reducir la vida útil de la batería.
- La reparación debe realizarse por una persona calificada para realizar reparaciones que use solamente repuestos idénticos. Así se garantizará que se mantenga la seguridad del aspirador.
- No modifique ni intente reparar el aspirador excepto como se indica en las instrucciones de uso y cuidado.
- No cargue el aparato al aire libre.
- Use solo el cargador suministrado por el fabricante para recargar.
- No incinere el aparato incluso si está muy dañado. Las baterías pueden explotar si se queman.
- Este aparato está diseñado solamente para uso doméstico y no para uso comercial o industrial.
- Mantenga los sensores limpios. Puede que los sensores no funcionen bien si están obstruidos.
- Los sensores de este aparato puede que no funcionen bien en diferentes tipos de piso. Ponga a prueba el aparato en cada superficie antes de dejar que funcione independientemente.
- Riesgo de descarga eléctrica. Para proteger contra el riesgo de descarga eléctrica, no ponga la unidad ni la base de carga en agua ni en ningún otro líquido.

- Este aparato no debería utilizarse en pisos con tomas de corriente expuestas.
  - El aparato debe colocarse o montarse lejos de fregaderos y superficies calientes.
  - Enchufe el cargador directamente en una toma de corriente.
  - Use el cargador solamente en una toma de corriente estándar (120V/60Hz).
  - Desenchufe el cargador de la toma de corriente antes de cualquier limpieza o mantenimiento de rutina.
  - No mire el interior de las rejillas de ventilación cuando el aparato esté encendido, ya que a veces pueden desprenderse pequeños residuos de las rejillas de ventilación, especialmente después de limpiar o cambiar el filtro, puesto que los residuos dentro del aparato pueden moverse.
  - La señal de infrarrojo entre el aparato y la base de carga puede comprometerse si se utiliza más de un robot aspirador a la vez o si se usa en un lugar expuesto a una lámpara halógena.
  - No utilice el aspirador en los siguientes ambientes:
    - Mojados
    - Inflamables
    - Explosivos
    - Corrosivos
    - Calor extremo
    - Frío extremo
  - Este aspirador es solamente para uso en interiores.
  - No permita que se limpie con este aspirador tóner de una impresora láser o fotocopiadora.
  - No permita que se limpien con este aspirador objetos filosos, como el vidrio, puesto que pueden dañar el aspirador.
  - La estación de carga debería colocarse contra una pared y sobre una superficie de piso plana.
  - No cubra la ventana de señal de la estación de carga.
  - Al guardar este aspirador, cargue la batería completamente, apague el aspirador y colóquelo en un lugar fresco y seco. Desenchufe la estación de carga.
  - No levante este aspirador por la cubierta delantera.
  - Solamente para ser utilizado con el cargador K25V240100X o con la base de carga N501228.
- No opere el aspirador en una habitación donde esté dormido un bebé o un niño.
  - No opere el aspirador en un área donde haya velas encendidas u objetos frágiles en el piso que vaya a limpiarse.
  - No opere el aspirador en una habitación donde haya velas encendidas sobre los muebles que el aspirador pueda golpear sin querer.
  - No permita que los niños se sienten en el aspirador.
  - No utilice el aspirador en una superficie mojada.
  - Compruebe la altura de los umbrales. El robot no puede preparar umbrales de más de 10-15mm (1/2 pulgada).

## GUARDE ESTAS INSTRUCCIONES

### Ensamblaje

1. Retire la película de protección de la lente delantera **8**.
2. Asegúrese de que el depósito colector de polvo **9** y el cepillo principal **12** estén ajustados firmemente.

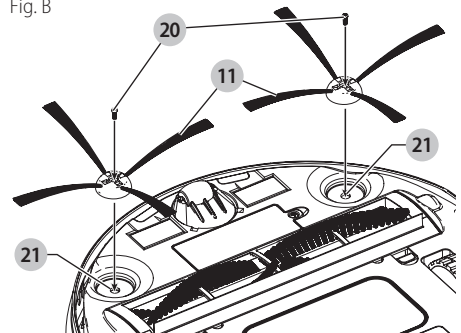
**NOTA:** El HRV425BLP contiene un cepillo principal estándar y un cepillo para mascotas anti-enredos.

- Para la limpieza general de mantenimiento diario, debería usarse el cepillo principal estándar.
- Use el cepillo para mascotas anti-enredos en áreas donde haya pelo de mascotas o pelo humano largo, áreas con mucha cantidad de pelo en la superficie del piso, o áreas que requieran una limpieza más a fondo.

### Instalación de los cepillos laterales (Fig. B)

1. Asegúrese de que el interruptor de alimentación **1** esté en la posición de apagado **(O)**.
2. Coloque el aspirador boca abajo sobre una superficie plana.
3. Ubique los tornillos de retención de los cepillos laterales **20** del envase.
4. Coloque los cepillos laterales **11** en las ranuras para cepillos **21**.
5. Instale los tornillos de retención de los cepillos laterales.

Fig. B



### El aspirador se recomienda para las siguientes superficies de piso:

- Madera dura/Laminado
- Azulejos de cerámica/piedra
- Alfombras de pelo corto y medio (no se recomienda la alfombra de felpa)

**NOTA:** Puede que no funcione el aspirador en algunas alfombras negras y superficies de piso más oscuras, puesto que los sensores pueden detectar la superficie como un precipicio.

### Preparación adecuada de la habitación

- Coloque los cables de otros aparatos lejos del área que vaya a limpiarse.

## Carga (Fig. C)

Su aspirador puede cargarse manualmente mediante el conector jack o automáticamente mediante la base de carga.

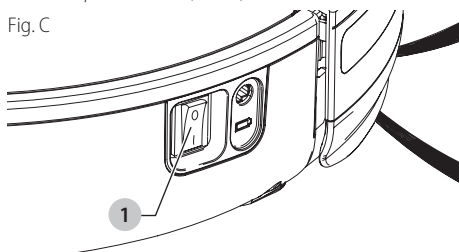
**IMPORTANTE:** El interruptor de alimentación **1** **DEBE** estar en la posición de ENCENDIDO (ON) **(I)** para que el aspirador se cargue.

- Antes de usarlo por primera vez, la batería debe cargarse al menos por 4 a 5 horas.

**NOTA:** El cargador puede calentarse mientras está cargándose. Esto es normal y no indica ningún problema. Puede dejarse el aparato conectado al cargador indefinidamente.

**⚠ ADVERTENCIA:** No cargue la batería a una temperatura ambiental inferior a 10 °C (50 °F) o superior a 40 °C (104 °F).

Fig. C

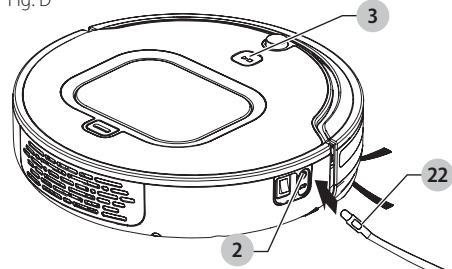


## Carga manual (Fig. D)

**IMPORTANTE:** El interruptor de alimentación **1** **DEBE** estar en la posición de ENCENDIDO (ON) **(I)** para que el aspirador se cargue.

1. Enchufe el cargador de batería **18** en una toma de corriente de pared.
2. Deslice el extremo del conector jack **22** del cargador en el enchufe de carga **2** del aspirador.
3. El botón de inicio/parada **3** parpadeará y emitirá un solo pitido corto, lo cual indica que el aspirador se está cargando. La LED del botón de inicio/parada se apagará cuando el aspirador esté totalmente cargado.

Fig. D



## Carga automática (Fig. E, F)

**IMPORTANTE:** El interruptor de alimentación **1** **DEBE** estar en la posición de ENCENDIDO (ON) **(I)** para que el aspirador se cargue.

1. Enchufe el cargador de batería **18** en una toma de corriente de pared.

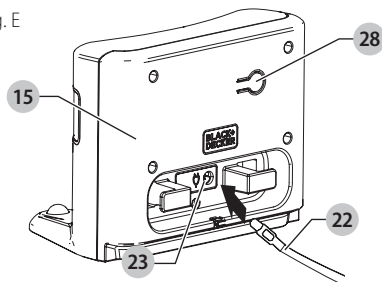
2. Deslice el extremo del conector jack **22** del cargador en el enchufe de carga **23** de la base de carga, como se muestra en la **Figura E**.

3. Coloque la base de carga en un piso nivelado con la parte de atrás del cargador contra una pared.

**NOTA:** No ponga nada debajo de la base de carga. Impedirá que el aspirador se cargue automáticamente.

**NOTA:** Proporcione un mínimo de 122 cm (48 pulgadas) de espacio alrededor de la base.

Fig. E



4. Coloque el aspirador en la base de carga, de manera que los electrodos de carga **17** estén en contacto con las dos placas de carga **7** como se muestra en la **Figura F**.

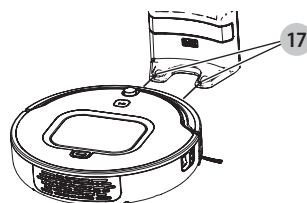
5. El botón de inicio/parada **3** parpadeará y emitirá un solo pitido corto, lo cual indica que el aspirador se está cargando. La LED del botón de inicio/parada se apagará cuando el aspirador esté totalmente cargado.

**NOTA:** Puede verificar el estado de carga del aspirador desde su aplicación de BLACK+DECKER.

**NOTA:** En el modo de Manchas y Limpieza rápida, el aspirador terminará su ciclo de limpieza y se parará y no volverá a la base, a menos que el nivel de batería sea bajo, en cuyo caso buscará la base.

**NOTA:** En el MODO AUTOMÁTICO, el aspirador buscará la base de carga cuando la carga de la batería esté baja. Sin embargo, si la habitación es demasiado grande o el aspirador tiene obstáculos y no puede "ver" la base, puede que no encuentre la base para recargarse automáticamente. Si esto ocurre, coloque el aspirador en la base de carga como se describe anteriormente.

Fig. F



## Uso de la aplicación de BLACK+DECKER para operar su robot aspirador

La aplicación de BLACK+DECKER le permite operar y conectar su robot aspirador desde un dispositivo móvil compatible. Después de descargar la aplicación, usted

conecta su dispositivo al aspirador. Entonces puede usar la aplicación para operar el robot.

**NOTA:** Su dispositivo móvil tiene que estar dentro del alcance del Bluetooth para operar el robot.

## Puede usar la aplicación de BLACK+DECKER para:

- Programar que una limpieza automática ocurra en los días y las horas que usted elija.

**NOTA:** Si en cualquier momento, el robot se pone en la posición de APAGADO, la función de programación tendrá que ser restablecida volviendo a conectar con la aplicación después de que haya vuelto a encenderse la unidad.

- Inicie una limpieza rápida, de manchas o manual.
- Controle el nivel de carga de la batería del robot.
- Añada otro robot aspirador BLACK+DECKER a su dispositivo.
- Mire las Preguntas frecuentes de Resolución de problemas para obtener sugerencias sobre cómo solucionar los problemas o errores comunes.
- Cree una cuenta para recibir material promocional.
- Desconecte su dispositivo del robot.

**Para descargar la aplicación de BLACK+DECKER y conectar su dispositivo, haga lo siguiente:**

1. Descargue la aplicación de BLACK+DECKER en:



2. Haga clic dos veces en el icono de la aplicación de BLACK+DECKER para lanzar la aplicación en su dispositivo. Aparece una página de TÉRMINOS Y CONDICIONES de la aplicación.

**NOTA:** La aplicación de BLACK+DECKER está regida por sus propios términos y condiciones que pueden verse a través de la aplicación móvil.

3. Desplácese hacia abajo en la página de TÉRMINOS Y CONDICIONES de la aplicación para que pueda hacerse clic en el botón Acepto.
4. Haga clic en el botón Acepto para continuar. Aparece una página de CREAR CUENTA.
5. Elija una de las siguientes opciones en la página CREAR CUENTA:
  - Complete y envíe el formulario si quiere crear una cuenta de usuario de Stanley Black & Decker (SBD). SBD enviará correos electrónicos promocionales a la dirección de correo electrónico que especifique.
  - Haga clic en Omitir para continuar sin crear una cuenta de usuario de SBD.
6. SOLO ANDROIDE; iOS SALTAR al siguiente paso. Cuando aparezca la pantalla de Instalación rápida, asegúrese de que estén marcadas las casillas de "Habilitar Bluetooth", "Servicios de ubicación", y "Permisos de la aplicación" y haga clic en Continuar.
7. En la pantalla Seleccionar producto, haga clic en el icono del Robot aspirador para conectar el robot aspirador a su dispositivo móvil.

**IMPORTANTE:** El interruptor de alimentación ❶ DEBE estar en la posición de ENCENDIDO (ON) (I) para que el aspirador se sincronice

8. Cuando aparezca la pantalla de Conectando, presione y mantenga presionado el botón de inicio/parada ❸ en el robot aspirador para conectar su dispositivo móvil al aspirador. Aparece un mensaje de confirmación cuando se completa el proceso de conexión, seguido de un tutorial opcional que explica lo básico de la aplicación del Robot.

**Para ver la Guía del usuario de la aplicación y las Preguntas frecuentes sobre Resolución de problemas:**

1. Haga clic en el icono de Configuración para lanzar la página de Configuración.
2. Haga clic en la aplicación de la Guía del usuario para ver las instrucciones sobre cómo usar las funciones y pantallas de la aplicación de BLACK+DECKER.
3. Haga clic en Preguntas frecuentes para ver los consejos de solución de problemas del robot aspirador.

## Operación manual del aspirador

- Si decide operar el aspirador sin la aplicación, asegúrese de que el interruptor de alimentación ❶ esté en la posición de encendido (I).
- Presione el botón de inicio/parada ❸ una vez y la unidad empezará a limpiar en el Modo automático. Presione el botón de inicio/parada ❸ de nuevo para dejar de limpiar.
- Cuando se haya completado el ciclo de limpieza, la unidad empezará a buscar la base automáticamente.

## Mantenimiento



**ADVERTENCIA:** Asegúrese de que el aspirador esté completamente seco antes de utilizarlo.

- Utilice solamente jabón suave y un paño húmedo para limpiar el aspirador. Jamás permita que le entre líquido alguno al aspirador; no sumerja nunca ninguna de sus piezas en un líquido.

**IMPORTANTE:** Para garantizar la SEGURIDAD y CONFIABILIDAD del producto, las reparaciones, el mantenimiento y los ajustes (excepto los indicados en este manual) deben realizarse por un centro de servicio autorizado o por otra organización de servicio calificada, utilizando siempre piezas de repuesto idénticas.

## Vaciado del depósito de recolección de polvo (Fig. G)

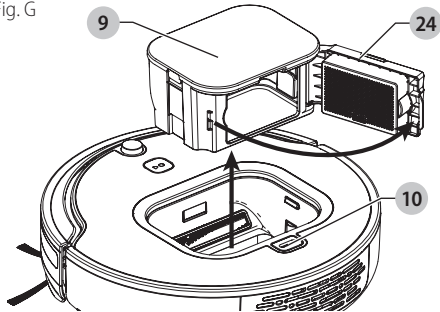
1. Apague el interruptor de alimentación ❶.
2. Presione el botón de liberación del depósito de recolección de polvo ❿ y dicho depósito saltará de la parte superior del aspirador.
3. Saque el depósito de recolección de polvo tirando hacia afuera.

## ESPAÑOL

4. Abra la compuerta del filtro **24** y vacíe el contenido del depósito de recolección de polvo.

**NOTA:** El depósito de recolección de polvo puede lavarse utilizando agua y un jabón suave. Asegúrese de que el depósito de recolección de polvo esté completamente seco antes de volver a instalarlo.

Fig. G



### Limpieza del filtro (Fig. H)

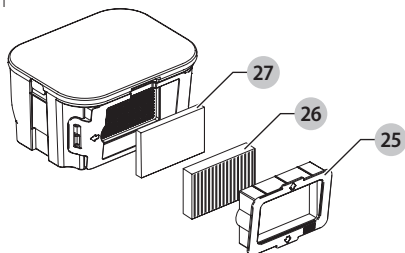
1. Apague el interruptor de alimentación **1**.
2. Retire el depósito de recolección de polvo **9** como se describe más arriba.
3. Saque el marco del filtro azul o morado **25** tirando hacia afuera. Retire el filtro plegado **26** y el filtro de esponja **27** con cuidado.
4. Para limpiar el polvo de los filtros, use la herramienta de mantenimiento o lave ambos filtros bajo agua corriente tibia.

**NOTA:** Asegúrese de que ambos filtros estén completamente secos antes de volver a instalarlos.

5. Vuelva a instalar los filtros secos en el marco de filtros. Inserte el marco de filtros en el depósito de recolección de polvo y vuelva a instalar dicho depósito en el aspirador.

**⚠ ADVERTENCIA:** No use nunca el aparato sin el filtro. Solo se conseguirá una recolección óptima del polvo con un filtro limpio.

Fig. H



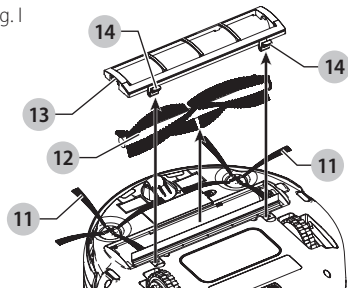
### Ensamblaje y extracción del cepillo principal (Fig. I)

1. Apague el interruptor de alimentación **1**.
2. Coloque el aspirador boca abajo sobre una superficie plana.

3. Tire hacia arriba de las dos lengüetas del marco del cepillo **14** y levante el marco del cepillo principal **13** para sacarlo.
4. Saque el cepillo principal **12**.
5. Saque todos los pelos y residuos utilizando la herramienta de mantenimiento **19**.
6. Ensamble en el orden inverso.

**NOTA:** Al volver a instalar el marco del cepillo principal, asegúrese de que los cepillos laterales **11** no queden atrapados por debajo del marco.

Fig. I



### Limpieza de los cepillos

1. Apague el interruptor de alimentación **1**.
2. Coloque el aspirador boca abajo sobre una superficie plana.

#### Limpieza del cepillo principal

1. Limpie el cepillo principal regularmente con la herramienta de mantenimiento.
2. Saque todos los pelos y residuos utilizando regularmente la herramienta de mantenimiento.

#### Limpieza de los cepillos laterales (Fig. B)

1. Retire el tornillo de retención del cepillo lateral **20**.
2. Retire el cepillo lateral **11**, limpie el cepillo lateral y luego limpie los residuos de la ranura **21**.
3. Vuelva a instalar el tornillo de retención del cepillo lateral.

#### Limpieza de las ruedas

1. Limpie las ruedas regularmente
2. Saque todos los pelos y residuos utilizando la herramienta de mantenimiento.

**NOTA:** Si hay pelo atrapado en la rueda delantera, utilizando un destornillador pequeño haga palanca para sacar la rueda. Quite el pelo o residuos y vuelva a instalar la rueda delantera.

#### Limpieza del sensor de pared

1. Apague el interruptor de alimentación **1**.
2. Limpie la lente delantera **8** con un paño limpio y seco.

#### Limpieza de los sensores detectores de suelo

1. Apague el interruptor de alimentación **1**.
2. Coloque el aspirador boca abajo sobre una superficie plana.
3. Limpie las ventanas del sensor **4** con un paño limpio y seco.

## Accesorios

Los accesorios recomendados para utilizarse con su aparato pueden obtenerse de su distribuidor local o centro de servicio autorizado. Si necesita ayuda con respecto a los accesorios, llame al: **1-800-544-6986**.



**ADVERTENCIA:** El uso de cualquier accesorio no recomendado para utilizarse con este aparato podría ser peligroso.

## Cambio del filtro

El filtro debería cambiarse cada 6 meses y siempre que esté desgastado o dañado. Los filtros de repuesto pueden obtenerse en su distribuidor de BLACK+DECKER.

## El Sello RBRC®

El Sello RBRC® (Rechargeable Battery Recycling Corporation) en las baterías (o unidades de batería) de níquel-cadmio, hidruro metálico de níquel o iones de litio indica que los costos de reciclado de estas baterías (o unidades de batería), al finalizar su vida útil, ya los pagó BLACK+DECKER. En algunas zonas, es ilegal tirar las baterías de níquel-cadmio, hidruro metálico de níquel o iones de litio usadas en la basura o en el flujo de residuos sólidos urbanos y el programa Call 2 Recycle® proporciona una alternativa ecológica.

Call 2 Recycle, Inc., en cooperación con BLACK+DECKER y otros usuarios de baterías, ha establecido el programa en los Estados Unidos y Canadá para facilitar la recolección de baterías de níquel-cadmio, hidruro metálico de níquel e iones de litio usadas. Ayude a proteger nuestro medio ambiente y a conservar los recursos naturales devolviendo las baterías de níquel-cadmio, hidruro metálico de níquel o iones de litio ya usadas a un centro de servicio autorizado BLACK+DECKER o a un minorista local para que sean recicladas. También puede comunicarse con el centro de reciclaje de su localidad para obtener información sobre dónde llevar las baterías usadas. RBRC® es una marca registrada de Call 2 Recycle, Inc.

Este aparato digital de la Clase B cumple con la norma canadiense ICES-003.

Este dispositivo cumple con la sección 15 de las Normas de la FCC. Su funcionamiento está sujeto a las dos siguientes condiciones:

1. Este dispositivo no puede causar interferencia dañina, y
2. Este dispositivo debe aceptar cualquier interferencia que reciba, incluyendo aquella interferencia que podría producir un funcionamiento no deseado.

**NOTA:** Este equipo ha sido probado y se ha demostrado que cumple con los límites establecidos para dispositivos digitales de Clase B, de conformidad con la Sección 15 de las Normas de la FCC. Estos límites están diseñados para ofrecer un nivel razonable de protección contra la interferencia dañina en instalaciones residenciales. Este equipo genera, utiliza y puede emitir energía de radiofrecuencia y, si no se instala y utiliza de acuerdo con las instrucciones proporcionadas, puede producir una interferencia dañina a la comunicación radial. Sin embargo, no existen garantías de que no ocurra interferencia alguna en una instalación en particular.

Si este equipo produce interferencia dañina a la recepción radial o de televisión, lo que puede determinarse al apagar y volver a encender el equipo, se pide al usuario que corrija

la interferencia implementando una o más de las siguientes medidas:

- Cambie la orientación o el lugar donde esté ubicada la antena receptora.
- Aumente el espacio que separa al equipo del receptor.
- Conecte el equipo a una toma de corriente que esté en un circuito diferente al circuito al que esté conectado el receptor.
- Consulte con el distribuidor o con un técnico de radio y televisión con experiencia que pueda ayudarle.

Los cambios o modificaciones a esta unidad no aprobados expresamente por la parte responsable del cumplimiento podrían anular la autorización del usuario para operar el equipo. Este aparato digital de la Clase B cumple con la norma canadiense ICES-003.

## GARANTÍA LIMITADA POR UN AÑO

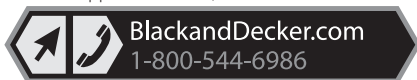
Black & Decker (U.S.) Inc. garantiza que este producto está libre de defectos de material o mano de obra durante un período de un (1) año desde la fecha de compra, siempre y cuando el producto se utilice en un entorno doméstico. Esta garantía limitada no cubre contra fallas debidas a mal uso, daño accidental o cuando se han realizado o intentado reparaciones por parte de cualquier otra persona ajena a BLACK+DECKER y sus centros de mantenimiento autorizados. Un producto defectuoso que cumple con las condiciones de la garantía establecidas en el presente documento será reemplazado o reparado sin costo:

Enviar (pagado por adelantado) el producto a un centro de mantenimiento de propiedad o con autorización de BLACK+DECKER para su reparación o reemplazo a discreción de BLACK+DECKER. Es posible que se requiera un comprobante de compra. Los centros de mantenimiento de propiedad o con autorización de BLACK+DECKER en línea en [www.blackanddecker.com](http://www.blackanddecker.com).

Esta garantía no se aplica a los accesorios. Esta garantía le otorga derechos legales específicos y es posible que tenga otros derechos que varían de un estado a otro. En caso de que tenga alguna pregunta, comuníquese con el gerente del centro de mantenimiento de BLACK+DECKER más cercano a usted. Este producto no está diseñado para uso comercial y, en consecuencia, dicho uso comercial de este producto anulará la garantía. Por medio del presente documento, se declina la responsabilidad de todas las demás garantías, explícitas o implícitas.

AMÉRICA LATINA: Esta garantía no se aplica a productos vendidos en América Latina. Para los productos que se venden en América Latina, consulte la información de garantía específica del país contenida en el empaque, llame a la compañía local o visite el sitio web para obtener dicha información.

Importado por Black & Decker (U.S.) Inc., 701 E. Joppa Rd. Towson, MD 21286 EE.UU.



## RESOLUCIÓN DE PROBLEMAS

Problema	Causa posible	Solución posible
<ul style="list-style-type: none"> <li>El aspirador deja de limpiar.</li> </ul>	<ul style="list-style-type: none"> <li>El aspirador está en estado de error.</li> <li>La carga de la batería está baja.</li> <li>El aspirador ha completado el modo de Limpieza rápida o Manchas.</li> </ul>	<ul style="list-style-type: none"> <li>Borre el error (consulte la tabla de Patrones de indicación de error)</li> <li>Cargue la batería.</li> </ul>
<ul style="list-style-type: none"> <li>La batería no se carga.</li> </ul>	<ul style="list-style-type: none"> <li>El cargador no está enchufado correctamente.</li> <li>El interruptor de alimentación del aspirador no está ENCENDIDO.</li> </ul>	<ul style="list-style-type: none"> <li>Asegúrese de que el cargador esté totalmente enchufado en la toma de corriente y que el conector jack esté enchufado adecuadamente en el aspirador o la base de carga.</li> <li>Asegúrese de que el interruptor de alimentación esté encendido ("ON").</li> </ul>
<ul style="list-style-type: none"> <li>El aspirador solo se mueve hacia atrás o se mueve un poco antes de retroceder y pararse.</li> </ul>	<ul style="list-style-type: none"> <li>El piso tiene rayas o manchas oscuras que el aspirador detecta como un precipicio.</li> <li>Los sensores están sucios.</li> </ul>	<ul style="list-style-type: none"> <li>Use el aspirador solamente en las superficies recomendadas. (consulte la sección de las superficies de piso recomendadas)</li> <li>Limpie los sensores con un paño seco.</li> </ul>
<ul style="list-style-type: none"> <li>El aspirador se mueve constantemente en un pequeño círculo.</li> </ul>	<ul style="list-style-type: none"> <li>Una rueda está bloqueada.</li> <li>El aspirador está operando en modo MANCHAS.</li> </ul>	<ul style="list-style-type: none"> <li>Saque los residuos de la rueda bloqueada.</li> </ul>
<ul style="list-style-type: none"> <li>El aspirador no detecta precipicios.</li> </ul>	<ul style="list-style-type: none"> <li>Los sensores están cubiertos.</li> </ul>	<ul style="list-style-type: none"> <li>Limpie los sensores con un paño seco.</li> </ul>
<ul style="list-style-type: none"> <li>El aspirador no se sincroniza con la aplicación.</li> </ul>	<ul style="list-style-type: none"> <li>El aspirador no está suficientemente cargado.</li> <li>La función de Bluetooth en el dispositivo móvil no está activada.</li> <li>El dispositivo móvil está ubicado demasiado lejos del aspirador.</li> <li>Los Servicios de ubicación y los Permisos para los servicios de ubicación de la aplicación pueden estar desactivados. (Solamente Androide)</li> <li>El aspirador y el dispositivo móvil tienen que reiniciarse.</li> </ul>	<ul style="list-style-type: none"> <li>Asegúrese de que el aspirador esté totalmente cargado y reinicie su dispositivo móvil.</li> <li>Asegúrese de que la función de Bluetooth en su dispositivo móvil esté activada.</li> <li>Mueva su dispositivo móvil más cerca del aspirador.</li> <li>Vaya a las preferencias de sus dispositivos móviles y active los permisos para la APLICACIÓN DE BLACK+DECKER.</li> <li>Apague el aspirador y vuelva a encenderlo y reinicie su dispositivo móvil. Vuelva a abrir la aplicación de BLACK+DECKER. Intente sincronizar de nuevo el robot aspirador. Asegúrese de presionar y mantener presionado el botón de inicio/parada (3) en la parte superior del aspirador durante cinco segundos como mínimo.</li> </ul>
<ul style="list-style-type: none"> <li>El robot no vuelve a la base.</li> </ul>	<ul style="list-style-type: none"> <li>El robot está fuera de rango para "ver" la base.</li> <li>El robot está obstruido por objetos en el área de limpieza.</li> <li>El robot no puede sincronizarse con la base.</li> </ul>	<ul style="list-style-type: none"> <li>Mueva el robot más cerca de la base.</li> <li>Despeje la obstrucción del área de limpieza del robot.</li> <li>Con la unidad apagada, asegúrese de que la base esté enchufada en una toma de corriente de pared. Presione y mantenga presionado el botón de sincronización (28) de la base de carga y ponga el interruptor de alimentación del robot (1) en la posición de encendido (ON). El robot pitará dos veces cuando la sincronización se haya efectuado correctamente.</li> </ul>
<ul style="list-style-type: none"> <li>La limpieza programada no funciona.</li> </ul>	<ul style="list-style-type: none"> <li>El aspirador no fue reconectado a la aplicación después de haber apagado el robot.</li> </ul>	<ul style="list-style-type: none"> <li>Si en cualquier momento, el robot se pone en la posición de APAGADO, la función de programación tiene que ser restablecida volviendo a conectar con la aplicación después de que se haya encendido la unidad.</li> </ul>
<ul style="list-style-type: none"> <li>La potencia de succión es débil.</li> </ul>	<ul style="list-style-type: none"> <li>Los filtros están obstruidos, el depósito de recolección de polvo está lleno.</li> </ul>	<ul style="list-style-type: none"> <li>Limpie el depósito de recolección de polvo y los filtros.</li> </ul>
<ul style="list-style-type: none"> <li>El ruido del aspirador cambia durante la operación.</li> </ul>	<ul style="list-style-type: none"> <li>Hay residuos en el cepillo rotativo, la rueda o el cepillo lateral.</li> <li>La AUTODETECCIÓN está accionada - el aspirador cambia la potencia de succión de la alfombra a la superficie dura.</li> </ul>	<ul style="list-style-type: none"> <li>Elimine los residuos del cepillo, la rueda o el cepillo lateral.</li> </ul>

### CONSULTE SU APLICACIÓN DE BLACK+DECKER PARA OTROS DETALLES DE RESOLUCIÓN DE PROBLEMAS

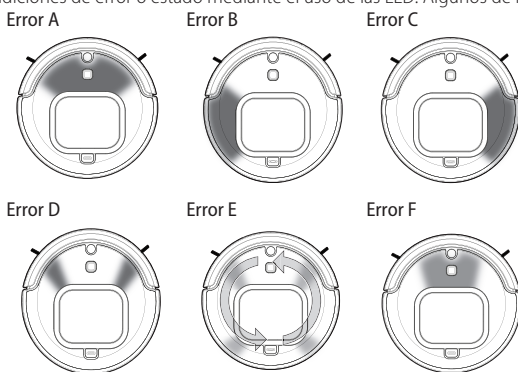
Para recibir ayuda con su producto, visite nuestro sitio web [www.blackanddecker.com](http://www.blackanddecker.com) para obtener la ubicación del centro de servicio más cercano o llame a la línea de asistencia de BLACK+DECKER al 1-800-544-6986.

## Patrones de indicación de error\*

\*Las indicaciones de error se aplican a los modelos de aspirador HRV425.

**NOTA: HRV420BP07 (UNIDAD SIN LED) Los errores se indicarán con un pitido corto recurrente**

Su robot indicará varias condiciones de error o estado mediante el uso de las LED. Algunos de los errores principales son:



Código de error	Patrón de LED	Causa posible	Solución
Error A	Las LED delanteras parpadean en rojo.	El cepillo principal está atascado.	Elimine los residuos/la obstrucción del cepillo principal. Presione el botón de encendido/apagado para borrar el error.
Error B	Las LED izquierdas parpadean en ROJO.	La rueda izquierda está atascada.	Elimine los residuos/la obstrucción de la rueda izquierda. Presione el botón de encendido/apagado para borrar el error.
Error C	Las LED derechas parpadean en ROJO.	La rueda derecha está atascada.	Elimine los residuos/la obstrucción de la rueda derecha. Presione el botón de encendido/apagado para borrar el error.
Error D	Las dos secciones frontales de LED parpadean en rojo.	El cepillo lateral está atascado.	Elimine los residuos/la obstrucción del cepillo principal. Presione el botón de encendido/apagado para borrar el error. <b>NOTA:</b> Si hay pelo enrollado en el cepillo lateral, quizás tenga que desinstalar y volver a instalar el cepillo lateral.
Error E	Patrón rotativo de todas las LED - Naranja.	El depósito de recolección de polvo no está totalmente insertado.	Presione hacia abajo en el depósito de recolección de polvo para instalar totalmente el aspirador.
Error F	Las secciones centrales de LED parpadean en azul.	La unidad se ha apagado, el nivel de la batería es demasiado bajo para volver a la base de carga automáticamente.	Vuelva a poner el robot en la base de carga manualmente.

### Borrar un error

1. Después de haber eliminado los residuos/la obstrucción del aspirador, borre el error presionando el botón de inicio/parada **3**.
2. Para continuar aspirando, presione otra vez el botón de inicio/parada **3**.

**• GARANTÍA BLACK+DECKER • BLACK+DECKER WARRANTY  
• SOLAMENTE PARA PROPOSITOS DE MEXICO**

Distributor Name · *Sello firma del distribuidor*

---

Date of purchase · *Fecha de compra*

Invoice No. · *No. de factura*

---

**PRODUCT INFORMATION · IDENTIFICACIÓN DEL PRODUCTO**

Cat. No. · *Catalogo ó Modelo*

Serial Number · *No. de serie*

---

Name · *Nombre*

Last Name · *Apellido*

---

Address · *Dirección*

---

City · *Ciudad*

State · *Estado*

---

Postal Code · *Código Postal*

Country · *País*

---

Telephone · *No. Teléfono*

---

**2 AÑOS DE GARANTIA**

Este producto cuenta con dos años de garantía a partir de la fecha de compra contra cualquier defecto de su funcionamiento, así como cualquier falla debido a materiales empleados para su fabricación ó mano de obra defectuosa.

Nuestra garantía incluye la reparación o reposición del producto y/o componentes sin cargo alguno para el cliente incluyendo la mano de obra, esta incluye los gastos de trasportación erogados para lograr cumplimiento de esta garantía en los domicilios diversos señalados.

Para hacer efectiva esta garantía deberá presentar su herramienta y esta póliza sellada por el establecimiento comercial donde se adquirió el producto.

Nos comprometemos a entregar el producto en un lapso no mayor a 30 días hábiles contados a partir de la fecha de recepción del mismo en nuestros talleres de servicio autorizados.

**ESTA GARANTIA NO APLICA CUANDO:**

El producto se hubiese utilizado en condiciones distintas a las normales.

El producto no hubiese sido operado de acuerdo con el instructivo de uso que se acompaña.

El producto hubiese sido alterado o reparado por personas no autorizadas por nosotros.

Importador: Black & Decker S.A. de .C.V

Bosque de Cidros Acceso Radiatas No.42

3ra.Sección de Bosques de las lomas

C.P.05120, Mexico, D.F. Tel: (01 55) 5326 7100



## SOLAMENTE PARA PROPOSITOS DE MEXICO

### **Grupo Realsa en herramientas, S.A. de C.V.**

Súper Manzana 69 MZ.01 Lote 30  
(Av. Torcasita)  
Col. Puerto Juárez  
Cancún, Quintana Roo  
Tel. 01 998 884 72 27

### **Ferre Pat de Puebla, S.A. de C.V.**

16 de Septiembre No. 6149  
Col. El Cerrito  
Puebla, Puebla  
Tel. 01 222 264 12 12

### **Ferre Pat de Puebla, S.A. de C.V.**

Ejército Mexicano No. 15  
Col. Ejido 1ro. de Mayo  
Boca del Rio, Veracruz  
Tel. 01 229 167 89 89

### **Servicio de Fabrica BLACK+DECKER, S.A. de C.V.**

Lázaro Cardenas No. 18  
Col. Obrera  
Distrito Federal  
Tel. 55 88 95 02

### **Representaciones Industriales Robles, S.A. de C.V.**

Tezozomoc No. 89  
Col. La Preciosa  
Distrito Federal  
Tel. 55 61 86 82

### **Gpo. Comercial de Htas. y Refacciones de Occidente, S.A. de C.V.**

Av. La Paz No. 1779  
Col. Americana, S. Juárez  
Guadalajara, Jalisco  
Tel. 01 33 38 25 69 78

### **Herramientas y Equipos Profesionales**

Av. Colón 2915 Ote.  
Col. Francisco I. Madero  
Monterrey, Nvo. León  
Tel. 01 81 83 54 60 06

### **Htas. Portátiles de Chihuahua, S.A. de C.V.**

Av. Universidad No. 2903  
Col. Fracc. Universidad  
Chihuahua, Chihuahua  
Tel. 01 614 413 64 04

### **Fernando González Armenta**

Bolivia No. 605  
Col. Felipe Carrillo Puerto  
Cd. Madero, Tamaulipas  
Tel. 01 833 221 34 50

### **Perfiles y Herramientas de Morelia**

Gertrudis Bocanegra No. 898  
Col. Ventura Puente  
Morelia, Michoacán  
Tel. 01 443 313 85 50

### **Enrique Robles**

Av. de la Solidaridad No. 12713  
Col. La Pradera  
Irapuato, Guanajuato  
Tel. 01 462 626 67 39

### **Hernández Martinez Jeanette**

Prolongación Corregidora Nte. No. 1104  
Col. Arboledas  
Queretaro, Qro.  
Tel. 01 442 245 25 80

**PARA OTRAS LOCALIDADES LLAME AL 01 800 847 2309 o 01 800 847 2312.**

Black & Decker S.A. DE C.V.  
BOSQUES DE cidros acceso RADIATAS NO. 42  
col. BOSQUES DE LAS LOMAS.  
05120 México, D.F  
TEL. (01 55) 5326 7100  
01 800 847 2309/01 800 847 2312