



9FT Solar Powered Moving Light Umbrella

Assembly & Care Instructions

Item: UMB-M60049



**IMPORTANT : RETAIN FOR FUTURE REFERENCE
READ CAREFULLY**

For assistance with assembly, parts, or customer service, please contact:

ATLeisure, LLC

Toll Free: 1-855-880-7205 (English is offered)

8am - 5pm, Monday through Friday, Eastern Standard Time

Email: customerservice@atleisure.com or visit our website at www.atleisure.com

DO NOT RETURN TO STORE

For indoor/outdoor domestic use only. Not for commercial use.

Designed in USA
Made in China

Contents

Package Contents	2
Assembly	3-5
Battery Replacement	5-6
Replacement Parts	7
Care and Maintenance	7
Warnings and Cautions	7
Warranty	8

Package Contents

Before assembling make sure all parts are present. If any part is missing or damaged, do not attempt to assemble the product.

Part	Description	Quantity
A	Umbrella Frame (with canopy)	1
B	Bottom Pole	1
C	Solar Panel	1
D	Removable Cover	1

A



B



C

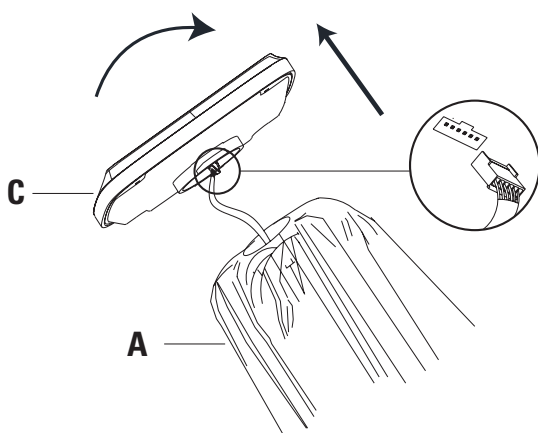


D

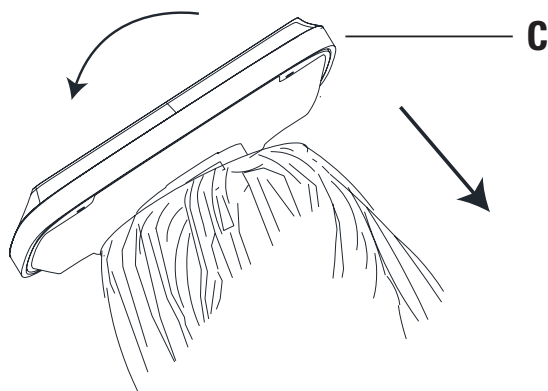


CAUTION: Do not use sharp tools or equipment such as a knife or scissors when removing the protective material, as it may damage the product.

Assembly and Use

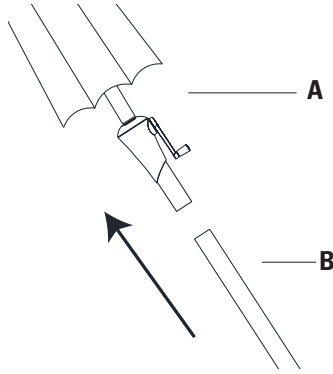


Step 1: Insert the plug into the socket under the solar panel.

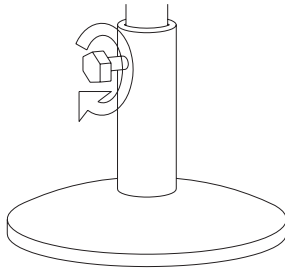


Step 2: Put the solar panel on top of the umbrella, and hide the plug and wire inside the groove at the top of the umbrella. Then turn the solar panel clockwise. Do not overtighten.

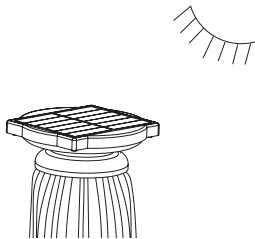
Assembly and Use (cont'd)



Step 3: To assemble the two pole pieces together, insert the bottom pole into the upper pole while pressing the snap button on the upper pole until the button locks into position.



Step 4: We recommend that you insert the umbrella into an umbrella base or table (not included) to help secure it.

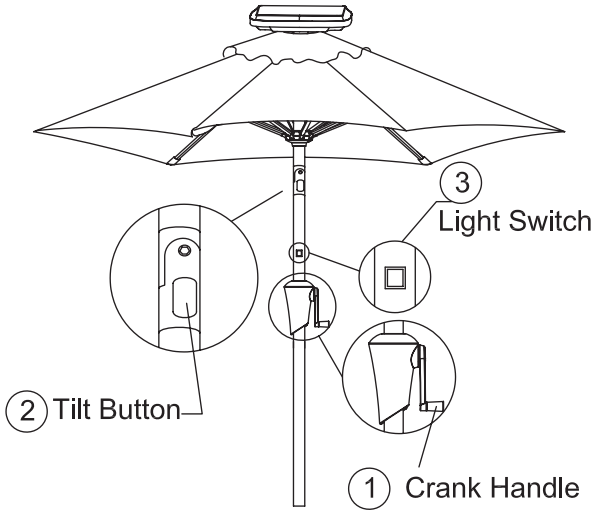


Step 5: Put the solar umbrella in the sunlight to charge the batteries before the first use.

Assembly and Use (cont'd)



IMPORTANT: Make sure to charge the batteries for at least 8 hours before first use. Otherwise, it will shorten the lifespan of the batteries and decrease overall performance.



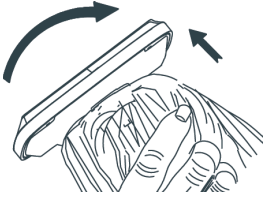
Step 6: Turn the crank handle in a clockwise direction to open the umbrella canopy. Turn in the opposite direction to close. You can tilt the umbrella to your desired angle by pressing the Tilt Button to release the umbrella top. Release the button to maintain desired angle. Press the first light switch to turn on/off the regular LED function. Press the second light switch to turn on/off the moving lights function. Press the third light switch turn off the lights.

Battery Replacement

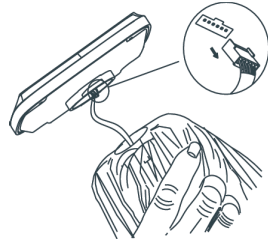
We recommend that you change the battery in your solar light umbrella every year, or when you feel that the light output is diminished.

- For best results, use 18650 Lithium (2200mAh) rechargeable battery same as supplied with panel.
- Install only new batteries of the same type in your product.
- Failure to insert batteries in the correct polarity, as indicated in the battery compartment, may shorten the life of the batteries or cause batteries to leak.
- Do not mix old and new batteries.
- Do not mix Alkaline, Standard (Carbon-Zinc) or Rechargeable (Nickel Cadmium or Nickel Metal Hydride) batteries.
- Batteries should be recycled or disposed of as per state and local guidelines.

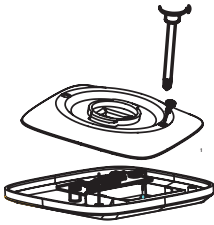
Battery Replacement (cont'd)



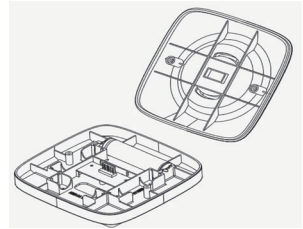
Step 1: Twist counter clockwise (to left) and remove solar panel from top of umbrella.



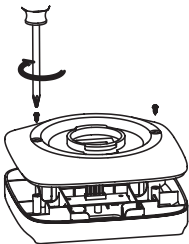
Step 2: Pull plug out of socket from under solar panel by holding plugs, not wires.



Step 3: Place solar panel on flat, soft surface. Loosen screws on solar panel lid.



Step 4: Carefully open solar panel and set aside lid. Replace battery, matching the +/- on battery with the +/- on solar panel.



Step 5: Carefully replace solar panel lid. Align screw holes and replace screws. Do not over-tighten screws.

Your solar umbrella is ready to use again!

To charge, ensure umbrella is in direct sunlight and the switches on umbrella pole are in OFF position. Solar panel will not recharge if lights are switched to ON position.

Replacement Parts

Part	Description	Part No.
A	Canopy	CAN-9MML6RBP-T-RD, BL, TPE,TO,MCS
B	Bottom Pole	BMP-38SSN-BWN-673-T
C	Solar Panel	SOL-PML-T
D	Removable Cover	CVR-9MML6RBP-T-RD,BL, TPE,TO,MCS

Care and Maintenance

CANOPY CARE INSTRUCTIONS:

Simply clean the umbrella canopy with soft brush

- DO NOT machine wash or dry.
- DO NOT iron.
- AIR DRY the canopy thoroughly before storing for extended period of time.

Warnings and Cautions

- Always take the umbrella down when not in use.
- Keep children away from umbrella during assembly to avoid injury.
- To prevent damage to the canopy, open the umbrella facing the opposite direction that the wind is blowing.



IMPORTANT: Do not use this umbrella during periods of high winds and rain. Failure to do so may result in personal injury and/or damage.

Warning: *Placement of the umbrella over or near a swimming pool can cause premature fading of the canopy. This is not covered under our warranty.*

ATTENTION: You must charge batteries before first use.

Please note that battery can discharge if they are left unused or uncharged for a long period of we recommend you charge your solar umbrella for at least 8 hours in direct sunlight before the solar umbrella. To charge, ensure umbrella is in direct sunlight and the switch on umbrella pole is in OFF position. Solar panel will not recharge if lights are switched to ON position.

Note: If lights are not working please check battery in solar panel to see if it has been inserted properly. For everyday normal use, turn on the light switch at night when you want to use solar light and turn off the switch after use.

Warranty

ONE YEAR WARRANTY

This product is covered under a manufacturer's one year warranty from date of purchase against defects in materials and workmanship. This warranty does not cover damage due to neglect, abuse or weather related damage. For full warranty disclosure, email us at customerservice@atleisure.com, call toll free at 1-855-880-7205 or send mail to: 1040 Boulevard SE Ste. B, Atlanta GA 30312

HOW TO FILE A CLAIM

If you are within your warranty you must have your receipt and pictures of your information to send to ATLeisure at customerservice@atleisure.com, or send by mail to 1040 Boulevard SE Ste. B, Atlanta GA 30312. This warranty gives you specific legal rights, and you may also have other rights which vary from state to state.



ATLeisure, LLC
1040 Boulevard SE, Suite B
Atlanta, Georgia 30312, USA

Customer Service Toll Free 1-855-880-7205

8am - 5pm Eastern Time, Monday through Friday

www.atleisure.com