

Frequently Asked Questions: Sun Joe Electric Multi-Angle Telescopic Pole Chain Saw

What are the best uses for my Pole Chain Saw?

1. Cut hanging branches over walkways and entranceways
2. Get rid of branches too close to your roof to protect your home in advance of weather hazards
3. Trim limbs hanging in rain gutters to help prevent clogging and damage
4. Trim away overgrown branches on trees to beautify your property and create a cleaner, brighter and more spacious outdoor living space
5. Cut branches that block sunlight from nourishing your garden and flower beds
6. As a quicker alternative to using a ladder and a hand saw
7. Protect ground level amenities (e.g. clear space over your swing-set, remove hazards from above your carport, prevent debris from littering your pool, etc.)
8. Instead of a traditional chainsaw to cut bundles of branches or clean up broken tree limbs
9. No need for a smoke mask, ear protection, gas can, gasoline, 2-cycle oil, ethanol-shield fuel additive, carburetor clean-out, sparkplug replacement, and seasonal fuel preservatives and stabilizers
10. Avoid the use of a bucket lift, scissor lift, or boom lift to reach tall limbs
11. Can cut up to a diameter of 7-1/2" depending on the type of wood (soft)

What bar does my unit use?

Your Saw Joe SWJ802E uses an **SWJ800E-62** 8-inch bar, available for purchase

What chain does my unit use?

Your Saw Joe SWJ802E uses an **SWJ800E-63** 8-inch chain, available for purchase online.

What type of oil does my unit take?

Your Saw Joe SWJ802E uses regular Bar and Chain Oil, available for purchase online under model number **SWJ-OIL**, online or at your local hardware store.

How do I adjust the chain's tension?

1. Adjust tension with a screwdriver by turning the tensioning peg screw clockwise or counterclockwise to achieve proper tension.
2. The correct tension is achieved when the chain in the middle of the bar can only be lifted by approximately 3-4 mm.

Should I wear safety goggles when using my unit?

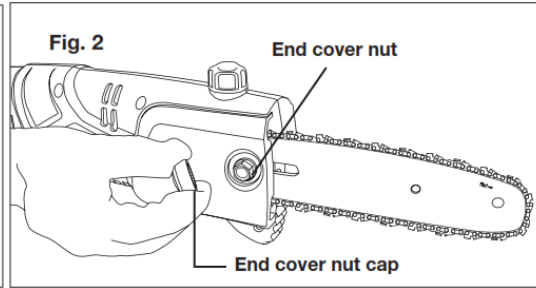
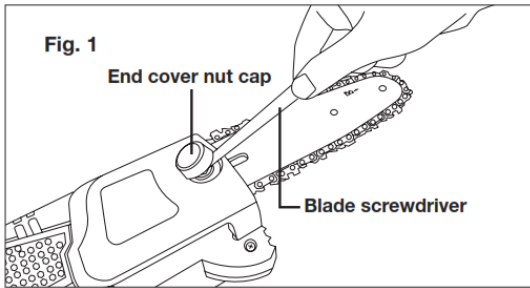
Yes, your SWJ802E comes with ANSI Z87.1-certified safety goggles. Safety glasses or goggles must be used when operating your Saw Joe SWJ802E. Also, use safety footwear, snug-fitting clothing, protective gloves, and hearing and head protection. Wearing personal protective equipment helps to reduce exposure to any hazards when using your Saw Joe SWJ802E.

How do I clean debris/residue from inside the unit?

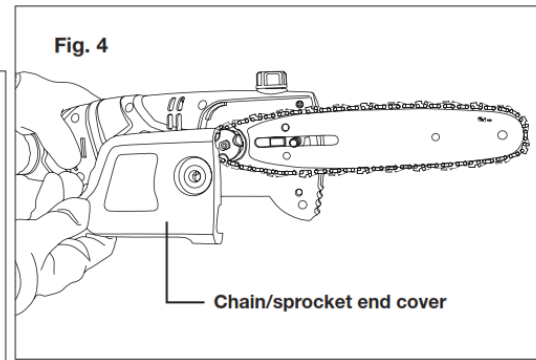
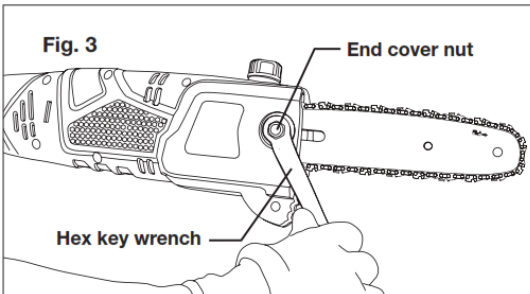
1. Using the supplied flat-tip blade screwdriver, remove the end cover nut cap from the chain/sprocket end cover to expose the end cover nut.
2. Using the supplied hex key wrench, unscrew the end cover nut and remove the chain/sprocket end cover.
3. Remove any debris trapped under the end cover, around the sprocket, and between the chain links. If available, use compressed air to remove any fine debris from the mounting surface, bar, and chain.
4. If necessary, remove the cutting bar and chain from the mounting surface to clean any residue, then replace.
5. Replace the chain/sprocket end cover by inserting the rear tab of the end cover first into the rear tab slot on the mounting surface, and position the cover onto the saw head.
6. Tighten the end cover nut by hand. Remove all slack from the chain by turning the chain tension screw clockwise until the chain seats snugly against the bar with the drive links in the bar groove.
7. Tighten the end cover nut using the hex key wrench, then replace the end cover nut cap to secure the chain/sprocket end cover.

How do I replace the bar or chain?

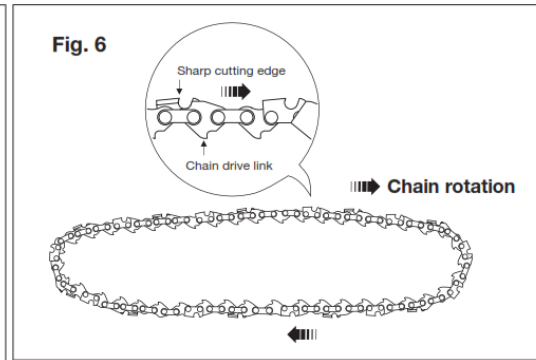
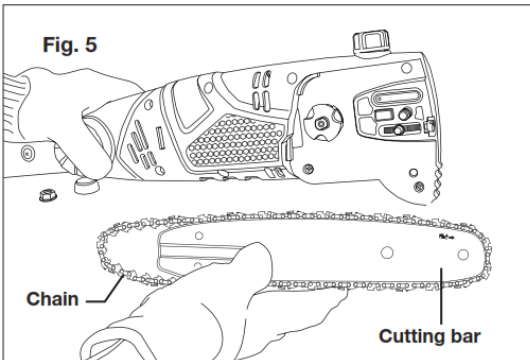
- Using the blade screwdriver side of the provided SWJ802E-TOOL, pry off the decorative end cover nut cap from the chain/sprocket end cover to expose the end cover nut (Figs. 1 & 2).



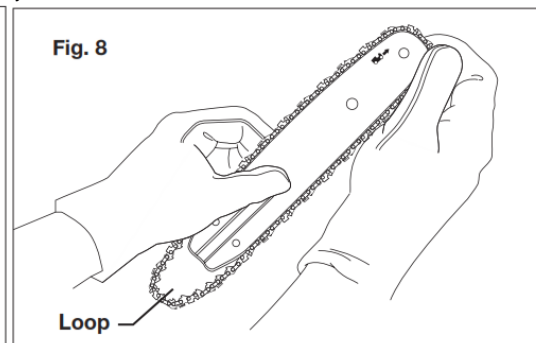
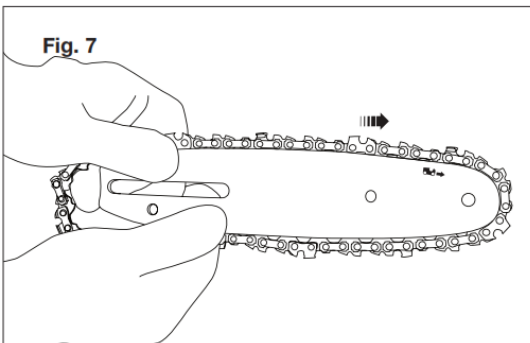
- Using the hex key wrench side of the provided SWJ802E-TOOL, unscrew the end cover nut and remove the chain/sprocket end cover (Figs. 3 & 4).



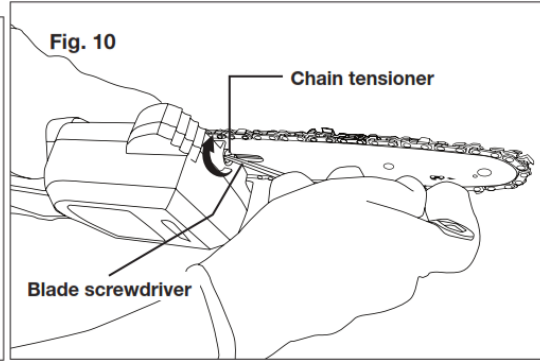
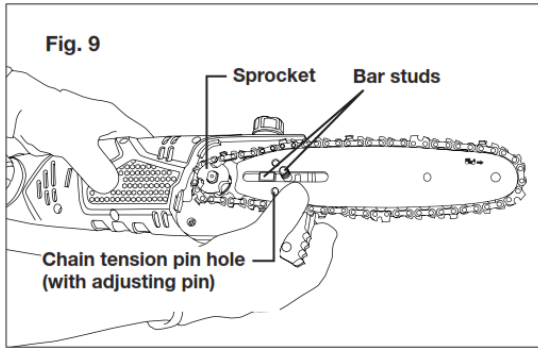
- Remove the cutting bar and chain from the mounting surface (Fig. 5).
- Remove the old chain from the bar.
- Lay out the new saw chain in a loop and straighten any kinks. The sharp side of the teeth must face in the direction of the chain rotation indicated on the guide bar . If the teeth face backwards, turn the loop over (Fig. 6).



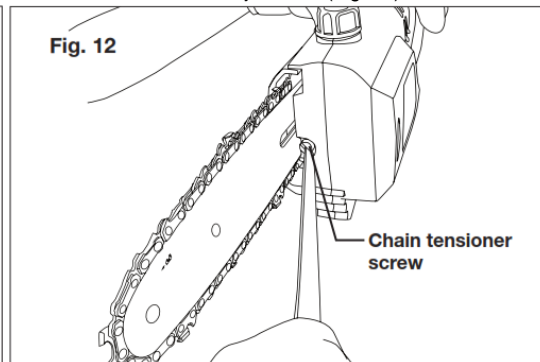
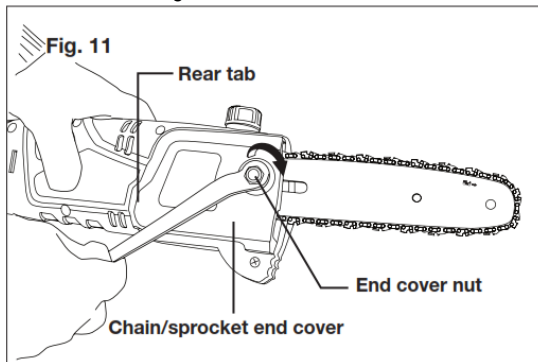
- Starting at the tip, mount the chain drive links into the bar groove, leaving a loop at the back of the bar. The chain will loosely fit until it is placed on the sprocket. (Figs. 7 & 8) Make certain of the direction of the chain . If the chain is mounted backwards, the saw will vibrate abnormally and will not cut.



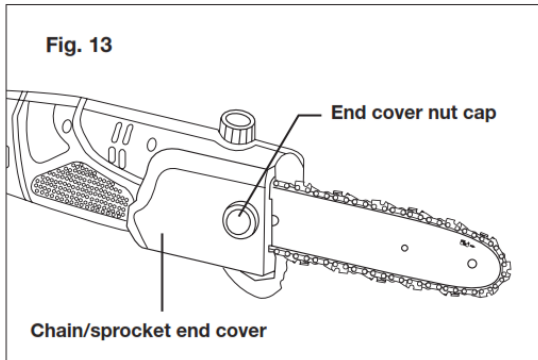
- Hold the chain in position on the bar and place the loop around the sprocket. Fit the bar flush against the mounting surface so that the bar studs are in the long slot of the bar and the adjusting pin is in the chain tension pin hole (Fig. 9).



8. Adjust the chain tension as needed by adjusting the chain tensioner screw with the supplied flat-tip blade screwdriver. Make sure to align the chain tensioner screw with the pin hole (Fig. 10).
9. Replace the chain/sprocket end cover by inserting the rear tab first into the rear tab slot and position the cover onto the saw head. Tighten the end cover nut, but leave the bar free to move for tension adjustment (Fig. 11).



10. Remove all slack from the chain by turning the chain tensioner screw clockwise until the chain seats snugly against the bar with the drive links in the bar groove (Fig. 12). The chain is correctly tensioned when there is no sag on the underside of the guide bar; the chain is snug, but can be rotated by hand without binding.
11. Tighten the end cover nut using the hex key wrench (Fig. 11), then replace the end cover nut cap to secure the chain/sprocket end cover (Fig. 13).



12. If the chain is too tight, it will not rotate. Loosen the end cover nut slightly and turn the chain tensioner 1/4 turn counterclockwise. Lift the tip of the guide bar up and retighten the end cover nut. Ensure that the chain can be rotated by hand without binding. A new chain tends to stretch; check the chain tension frequently, and adjust tension as required.