

VIRTUAL HOLIDAY PROJECTOR

THIS PRODUCT IS NOT A TOY! Please read this entire instruction booklet before using.

INSTRUCTION MANUAL

1. Parts Included

User Manual	1pc	Remote Control	1pc
Power Adapter	1pc	Stake With Tripod Stand	
Screen	1pc	Hardware For Staking Screen	
Protective Housing For Projector			

2. ATTENTION

- 2.1. For INDOOR and OUTDOOR use.
- 2.2. Please read this manual carefully before use.
- 2.3. To ensure stable power supply, please use an outlet with grounding.
- 2.4. Please use the power supply provided with the projector. Please see qualified service personnel for repairs.
- 2.5. Please do not dismantle the projector.
- 2.6. Looking directly in to the lens may cause eye irritation.
- 2.7. Do not place the projector anywhere that obstructs ventilation to the projector.
- 2.8. Please shut off the projector and unplug the power supply when not in use.
- 2.9. Use the packaging provided with the projector when transporting it from place to place.
- 2.10. This is not a toy.

3. Projector Housing

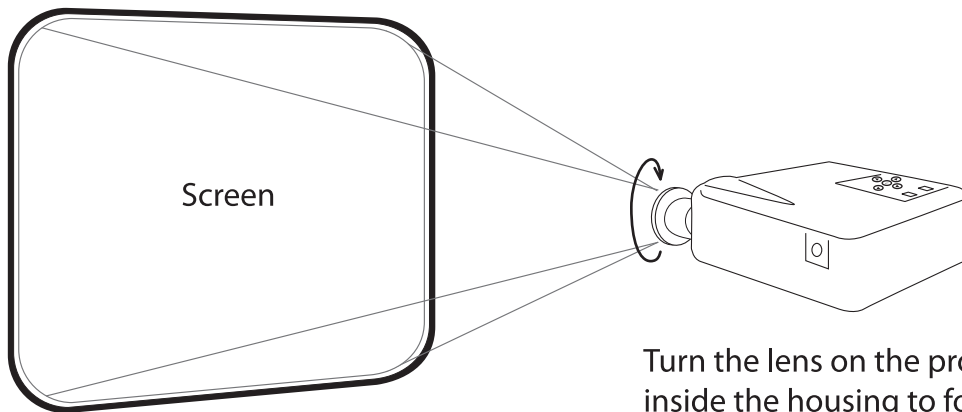
- 3.1. The housing protects the projector in wet conditions. Do not letting housing and projector be submerged in water.
- 3.2. The projector is screwed into the housing and is not meant to be removed.
- 3.3. Open the housing from the front slowly and carefully. Hold the bottom of the projector and lift from the overhang in the front.

4. Adaptor

- 4.1. Unit comes with a 12V outdoor adaptor.
- 4.2. Run the adaptor jack through the bottom of the housing and plug into the side of the projector.
- 4.3. Plug the adaptor into a power source.

5. Projector Placement and Focus

To achieve the most realistic effect, place the projector facing directly onto the screen. You should attempt to fill the screen as much as possible. Move the projector backwards or forwards as needed. Once in the proper place, open the housing and turn the lens to focus. The lens is on the projector inside the housing and cannot be accessed from outside. Lift the housing to access the lens.

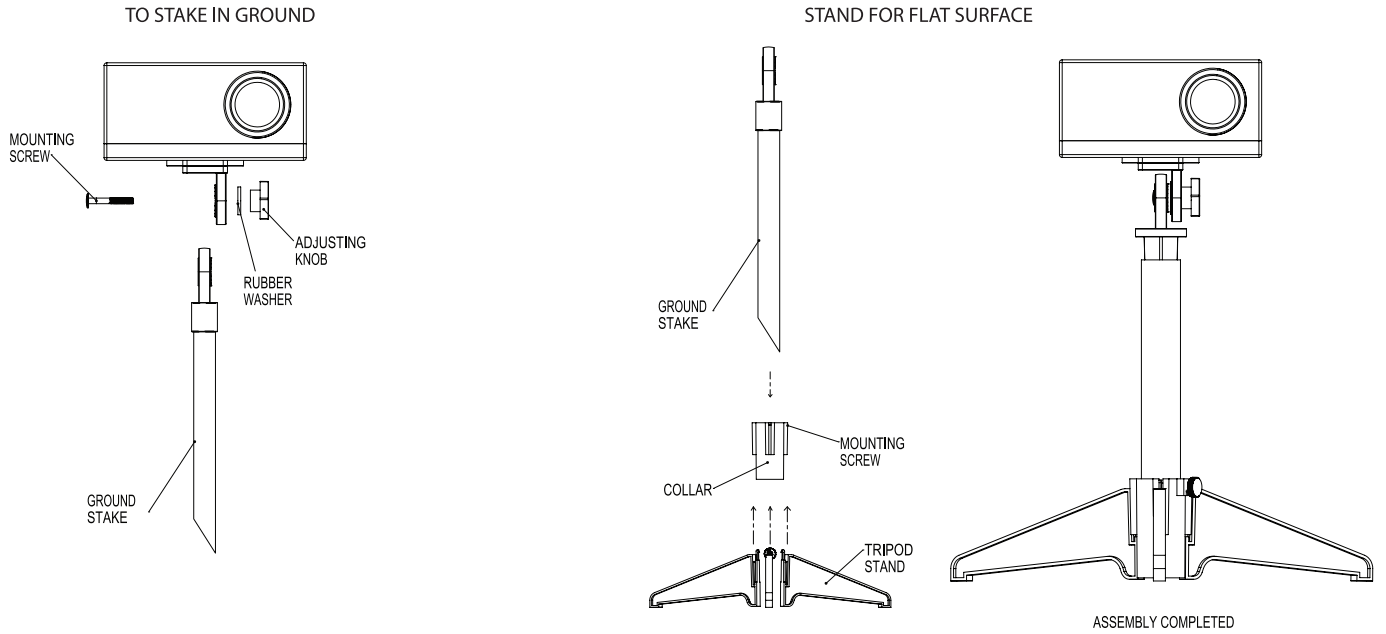


VIRTUAL HOLIDAY PROJECTOR

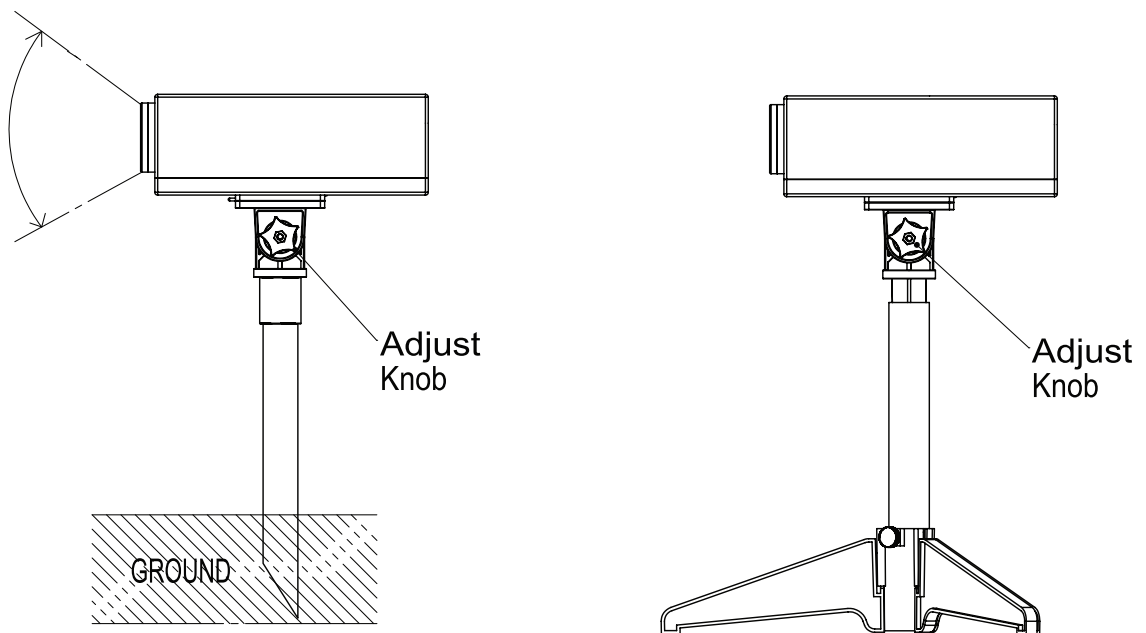
THIS PRODUCT IS NOT A TOY! Please read this entire instruction booklet before using.

INSTRUCTION MANUAL

6. Projector Stake And Stand
 - 6.1. Secure the unit on the included stake and / or stand according to the following diagram.



- 6.2. Push the stake to the ground and ensure the unit is stable.
- 6.3. Adjust the angle and height of the unit to a desired projecting position by loosening, adjusting the unit and securing the adjusting knob.
- 6.4. A tripod stand is included to display the unit on a hard, flat surface. See figures above and below for assembly and display instructions.



VIRTUAL HOLIDAY PROJECTOR

THIS PRODUCT IS NOT A TOY! Please read this entire instruction booklet before using.

INSTRUCTION MANUAL

7. Screen Set Up
- 7.1. Parts included to set up the screen outdoor are: screen, pole with mounting brackets x 2, top of the bracket x 4, screw x 4, hook x 4, and string x 2. See fig. 1.
 - 7.2. There's a pole with mounting brackets for the left side and right side of the screen which are marked "L" and "R" on the bracket. See fig. 2. Make sure the bottom of the pole has a hole where the ground stake is screwed in.
 - 7.3. Attach the mounting bracket by first by sliding the edge of the bottom bracket under the wire edge that goes around the screen. See fig.2. It is recommended that the screen and mounting brackets be assembled with the screen lying on the ground. The screen is rectangular, the brackets should be attached to the shorter lengths of the screen so the screen is more horizontal. See fig.7.
 - 7.4. Take the top of the bracket and place it over the bottom of the bracket making sure the wire of the screen is in between and captured. Secure by inserting the screw through the small hole on the bracket. See figs. 3 and 4.
 - 7.5. Repeat for all sides of the screen and until both poles are secured.
 - 7.6. Screw in both ground stakes to the bottom of the poles. See fig. 5.
 - 7.7. Take the strings and run them through the bigger hole of one of the brackets. Make sure to loop it around the holes a few times for extra security. See fig. 6. Repeat on the other bracket.
 - 7.8. Tie the end of the strings to the hooks and insert the hooks into the ground. The strings should be tight enough to ensure the screen does not move. See fig. 7.
 - 7.9. Use caution during extremely high winds. It is recommended to not set up or take down the screen during these conditions.

PARTS INCLUDED TO SET UP THE SCREEN OUTDOOR

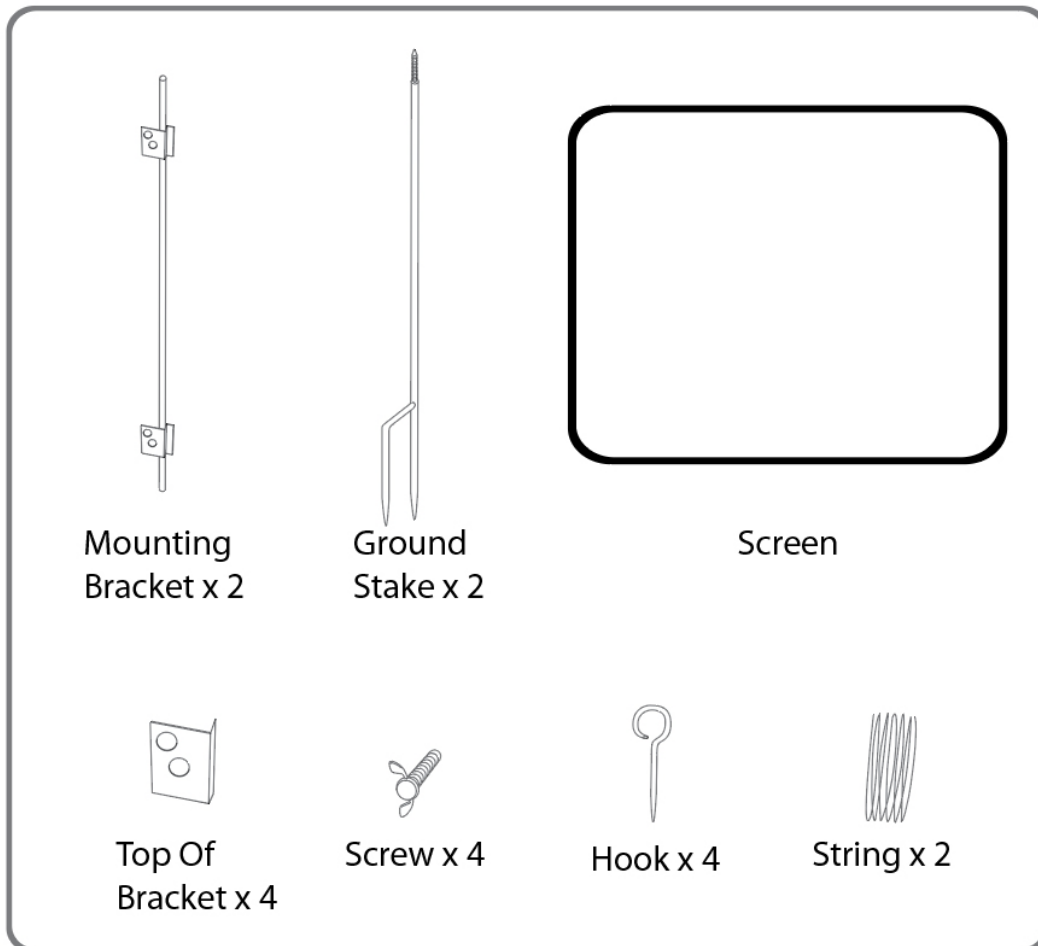


Fig. 1

Note: The top and bottom brackets are attached in the packaging. Unscrew the screw and separate the brackets before assembling on the screen.

VIRTUAL HOLIDAY PROJECTOR

THIS PRODUCT IS NOT A TOY! Please read this entire instruction booklet before using.

INSTRUCTION MANUAL

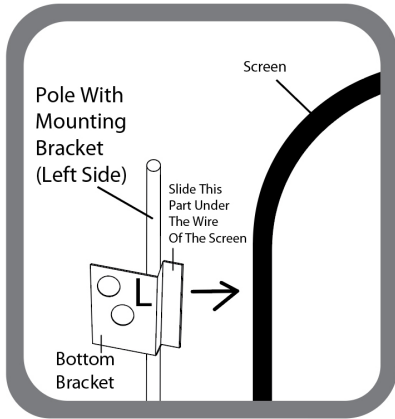


Fig. 2

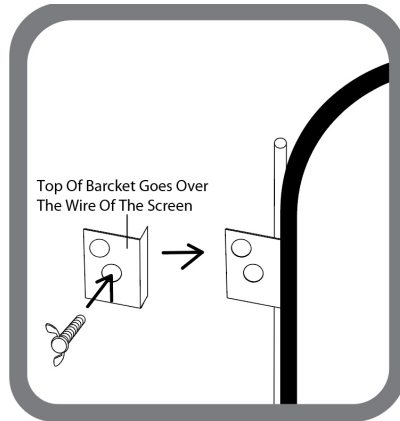


Fig. 3

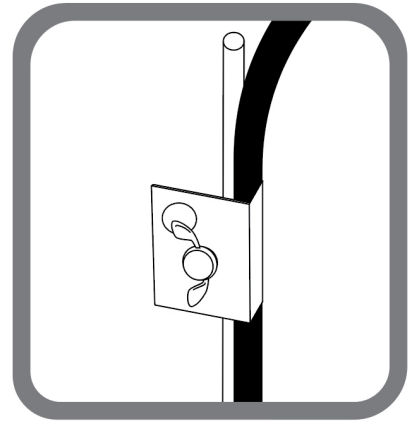


Fig. 4

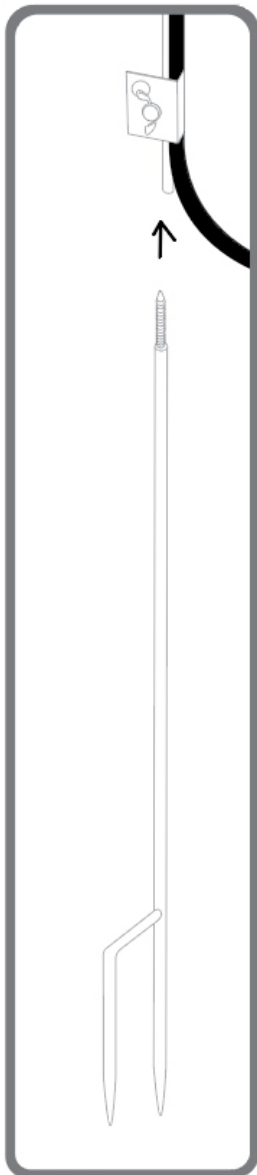


Fig. 5

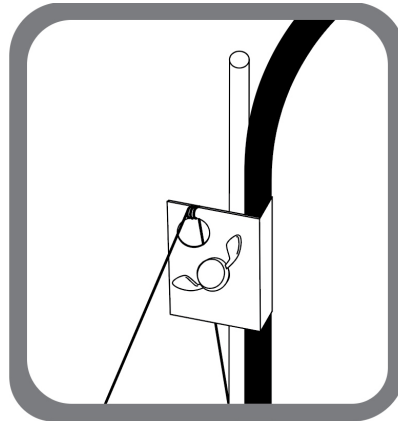


Fig. 6

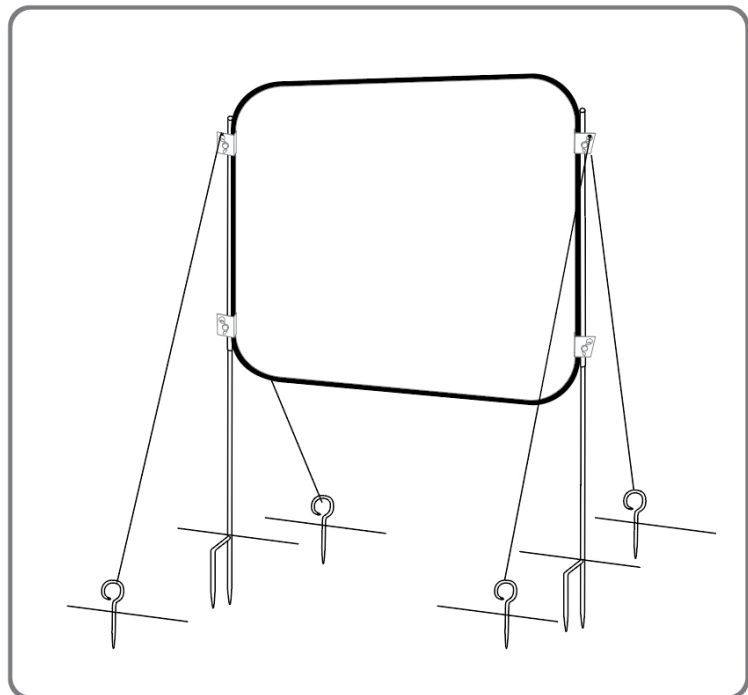


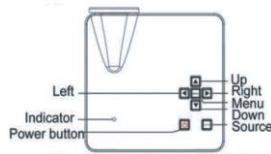
Fig. 7

VIRTUAL HOLIDAY PROJECTOR

THIS PRODUCT IS NOT A TOY! Please read this entire instruction booklet before using.

INSTRUCTION MANUAL

8. Button Function



- Up: Move up
- Left: Move left and volume down
- Right: Move right and volume up
- Down: Move down and select video functions such as stop, fast forward, play, etc.
- Menu: Menu options - picture, sound, and language
- Source: Choose the signal input source
- Power: Power on and off

9. Remote Button Function



10. Main Menu Operation

- 10.1. The unit is set to play 18 movies with a preloaded Flash drive.
- 10.2. To play your own movies or images, insert your USB into the USB port at the right hand side of the unit.
- 10.3. Press the input button on the remote control or the source button on the unit and choose "USB" to play movies or images from your USB.
- 10.4. To play the preloaded movies, press the input button on the remote control or source button on the unit and choose "Flash".

11. To Play Preloaded Movies Using the Remote

- 11.1. Remove tag from the remote battery compartment.
- 11.2. **Stand behind the unit to use the remote control. The Remote Control will NOT work unless pointed at the back of the unit.**
- 11.3. Select "Movie" from the main menu.
- 11.4. Select "Folder".
- 11.5. Select either "Christmas" or "Halloween".
- 11.6. To see a preview of a movie, scroll to a movie and wait a few seconds for the preview to appear.
- 11.7. Select the desired movie and press ► (Play). Always press ► (Play) to play movies, do not press "OK".
- 11.8. After the selected movie finishes playing, the next movie plays automatically.
- 11.9. To play the same movie continuously, scroll on the movie(s) you wish to play then press "OK" on the remote. A small "X" will appear in the corner of the movie. Then press ► to play.
- 11.10. Press "ESC" on the remote to leave the movie that's playing, then select new movie and press ►. **Do not press "OK" on the remote to select a new movie, always press ►.**

12. Important tips:

- 12.1. TO CHANGE THE VIDEO ORIENTATION, PRESS THE "TURN" BUTTON ON THE REMOTE CONTROL. KEEP PRESSING UNTIL THE DESIRED ORIENTATION IS FOUND. IF THE VIDEOS ARE INTENDED TO BE VIEWED FROM OUTSIDE THE HOME, IT IS RECOMMENDED TO REVERSE THE IMAGE SO THE WORDS CAN BE READ PROPERLY ON THE OPPOSITE SIDE OF THE PROJECTED SURFACE.
- 12.2. PRESS ► (Play) TO PLAY A SPECIFIC MOVIE OR IMAGE. DO NOT PRESS "OK".
- 12.3. ALWAYS POINT THE REMOTE CONTROL AT THE BACK OF THE UNIT TO PLAY.

13. Multi-media Supported Files

File	Format	Sub-fix	Decoding
Audio Files	WMA	. wma	
	MP3	. mp3	
	M4A	. m4a	
Image Files	JPEG	. jpg	
	BMP	. bmp	
	PNG	. png	
Video Files	MPEG4	. avi\ . mp4	DIVX, XVID
	H264	. mkv\ . mov	MPEG1, 2, 4
	MOV	. avi. mp4	
	MJPEG	. avi	
	FLV	. flv	H264
	VC1	. wmv\ asf	VC1
	DIVX	. divx\ . avi	MPEG. DIVX

VIRTUAL HOLIDAY PROJECTOR

THIS PRODUCT IS NOT A TOY! Please read this entire instruction booklet before using.

INSTRUCTION MANUAL

14. To Play Movies Using The Buttons On The Unit
 - 14.1. Scroll to "Movie" by using ► button and then pressing the ▼ button.
 - 14.2. Scroll to "Folder" and then press the ▼ button.
 - 14.3. Select "Movies" by using the ► or ◀ buttons.
 - 14.4. Scroll to the desired movie by using the ► or ◀ buttons.
 - 14.5. To play the desired movie, press the ▲ button.
 - 14.6. Movies will automatically play sequentially.
 - 14.7. To play the same movie continually, scroll to the selected movie and then press ▼ . A small "x" will appear in the corner of the movie. Then press ▲ to play.
 - 14.8. Press the ▼ button when the movie is playing for other control options. Scroll using the ► or ◀ button and press ▼ to select.
 - FB - Fast Backwards
 - FF - Fast Forward
 - P - Previous Movie
 - N - Next Movie
 - S - Go Back to folder to select other movies or movie category.
 - 14.9. Press ► or ◀ for volume while movie is playing.
 - 14.10. Press ▲ when the movie is playing to pause.
15. CARE INSTRUCTIONS
 - a. Before using or reusing, inspect product carefully. Discard any products that have cracks in enclosure or exposed wire.
 - b. When storing the product, carefully remove from the current location to avoid any undue strain or stress on the conductors, connections and wires.
 - c. When not in use, store neatly in a cool, dry location protected from sunlight and heat.
 - d. If necessary, clean product by wiping with a soft, dry cloth. Do not use any corrosive cleanser or chemical solution on this item.
16. SAFETY INSTRUCTIONS AND WARNINGS

WARNING: THIS IS NOT A TOY! THIS PRODUCT CONTAINS SMALL PARTS WHICH COULD CAUSE CHOKING IF SWALLOWED.
TO PREVENT FIRE OR SHOCK HAZARD, DO NOT REMOVE COVER. NO USER SERVICEABLE PARTS INSIDE. IF SERVICING IS NEEDED, SEND TO QUALIFIED SERVICE PERSONNEL.

PLEASE ADHERE TO THE FOLLOWING:

 - a. Read Instructions - All safety and operating instructions should be read before the item is operated. Please adhere to the instructions and warnings for your safety.
 - b. Heat - The item should be situated away from heat sources such as radiators, hairdryers, heat registers, stoves or other appliances that produce heat.
 - c. Damage Requiring Service - Have a qualified service personnel service this item when:
 - i) All troubleshooting techniques have been tried and the item will not work or has stopped working.
 - ii) The item has been dropped or the enclosure damaged.

NOTE: Do not dispose batteries in fire. Batteries may explode or leak. Do not mix old and new batteries. Replace all batteries at the same time. Do not mix alkaline, standard (carbon-zinc), or rechargeable (nickel-cadmium) batteries. Remove fully discharged batteries immediately. Batteries should be recycled or disposed of as per state and local guidelines.

Federal Communications Commission Code, Part 15:

NOTES: This equipment has been tested and found to comply with the limits for a Class B digital device pursuant to Part 15 of the FCC Rules. These limits are designed to provide reasonable protection against harmful interference in a residential installation. This equipment generates uses and can radiate radio frequency energy and, if not installed and used in accordance with the instructions, may cause harmful interference to radio communications. However, there is no guarantee that interference will not occur in a particular installation. If the equipment does cause harmful interference to radio or television reception, which can be determined by turning the equipment off and on, the user is encouraged to correct the interference by

one or more of the following measures:

- a. Reorient or relocate the receiving antenna;
- b. Increase the separation between the equipment and the receiver;
- c. Connect the equipment to an outlet on a circuit different from that to which the receiver is connected;
- d. Consult the dealer or an experienced radio/TV technician for help.

Warning: Changes or modification to this unit not expressly approved by the party responsible for compliance could void the user's authority to operate the equipment.

This device complies with Part 15 of the FCC Rules. Operation is subject to the following two conditions:

- a. This device may not cause harmful interference, and
- b. This device must accept any interference received, including interference that may cause undesired operation.

The following is only applicable to customers in the USA:

For more information about this product, please call 1-800-467-9627, or visit our website www.mrchristmas.com. We will be happy to help you!

NINETY-DAY LIMITED WARRANTY

Manufacturer warrants the original customer / purchaser of the VIRTUAL HOLIDAY PROJECTOR that they will be free from defects in material and workmanship for a period of ninety (90) days from date-of-purchase. Any liability under this warranty shall be limited to the repair or replacement of defective parts without charge if the item is returned with shipping charges prepaid together with proof of date-of-purchase, name and mailing address of the original consumer / purchaser. This warranty does not cover defects caused by damages in transit, abuse, accident, negligence or repairs made by others. This warranty gives the original consumer / purchaser specific legal rights.

The original consumer / purchaser may also have other rights which vary from state to state.