



Gold & Silver Safekeeper® Oval Spinning Mirrored Jewelry Cabinet

Congratulations – you have just received a wonderful Oval Spinning Mirrored Jewelry Cabinet that not only will store and display your jewelry items efficiently, but will keep them from tarnishing for 25 years or more and is a full length mirror to make accessorizing easy.

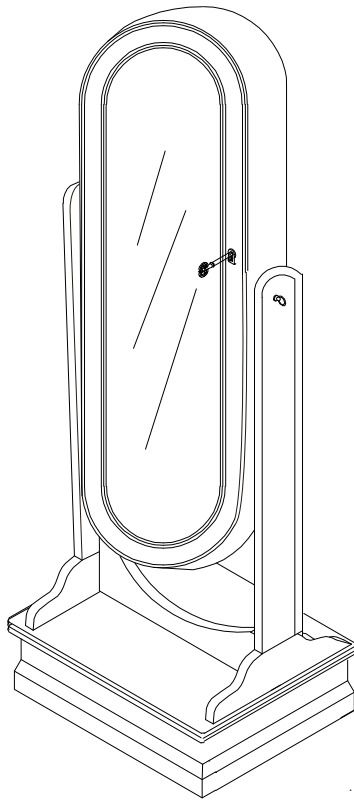
Carefully unpack the box and ensure you find all the hardware and parts on the list below before discarding. **Note: the screws, pegs and key are packed inside the cabinet. When removing the protective plastic and tape from the wood items, take care and do not cut or scratch the surfaces.**

There is a limited amount of assembly and the only tool required is a Screw Driver.

We recommend that you assemble the Oval Spinning Mirror Jewelry Cabinet close to the location you will be using so it does not need to be carried or moved far.

By referencing the following instructions and diagrams you will be able to set up your Oval Spinning Mirrored Jewelry Cabinet in a matter of minutes. **Total weight is 70lbs, two-person assemble is recommended.**





HARDWARE LIST

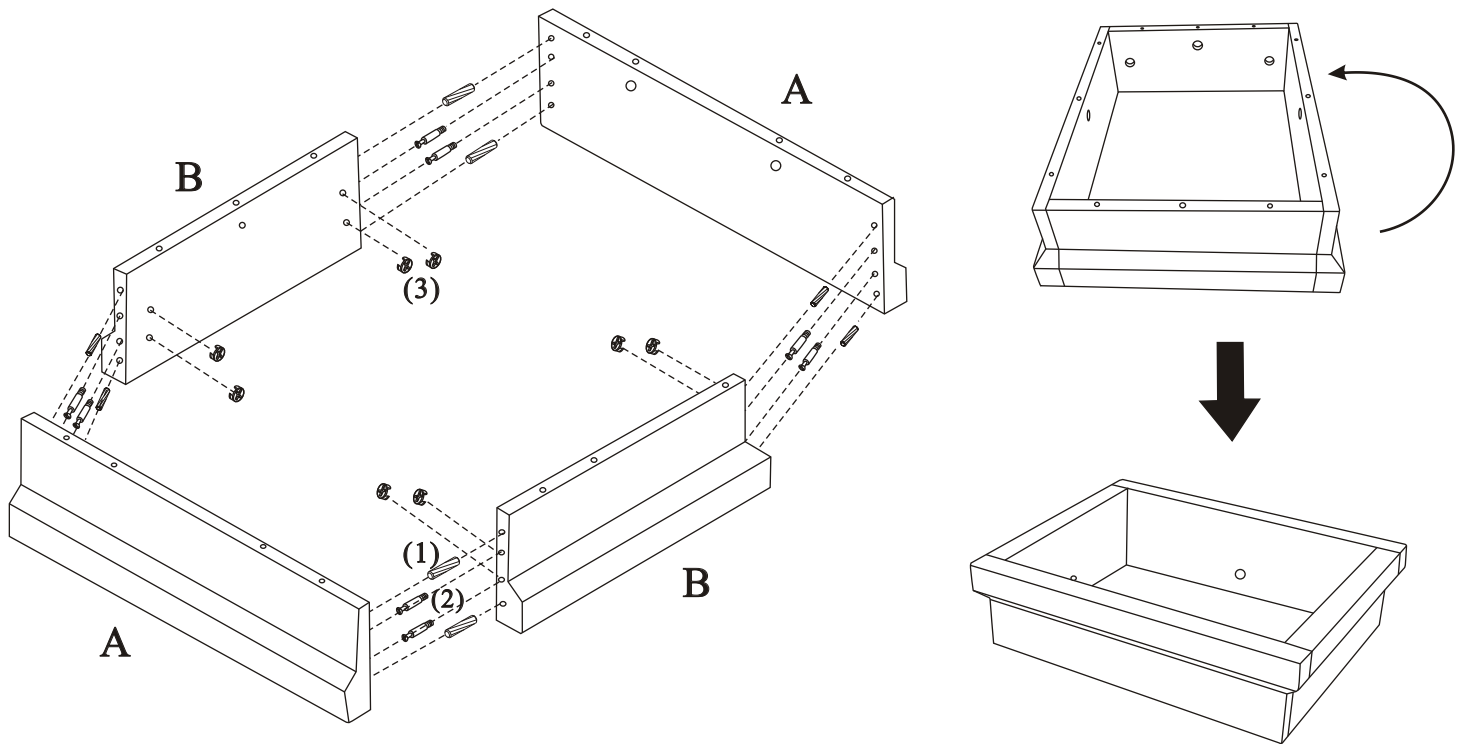
(1) 24pcs	(2) Cam Screw 8pcs	(3) Cam Lock 8pcs	(4) 4pcs	(5) Long Screw 6pcs
(6) 2pcs	(7) 1pc	(8) Pin 1pc	(9) 2pcs	(10) 1pc

PARTS LIST

A 2pcs	B 2pcs	C 1pc	D 1pc	E 1pc
F 1pc	G 1pc			

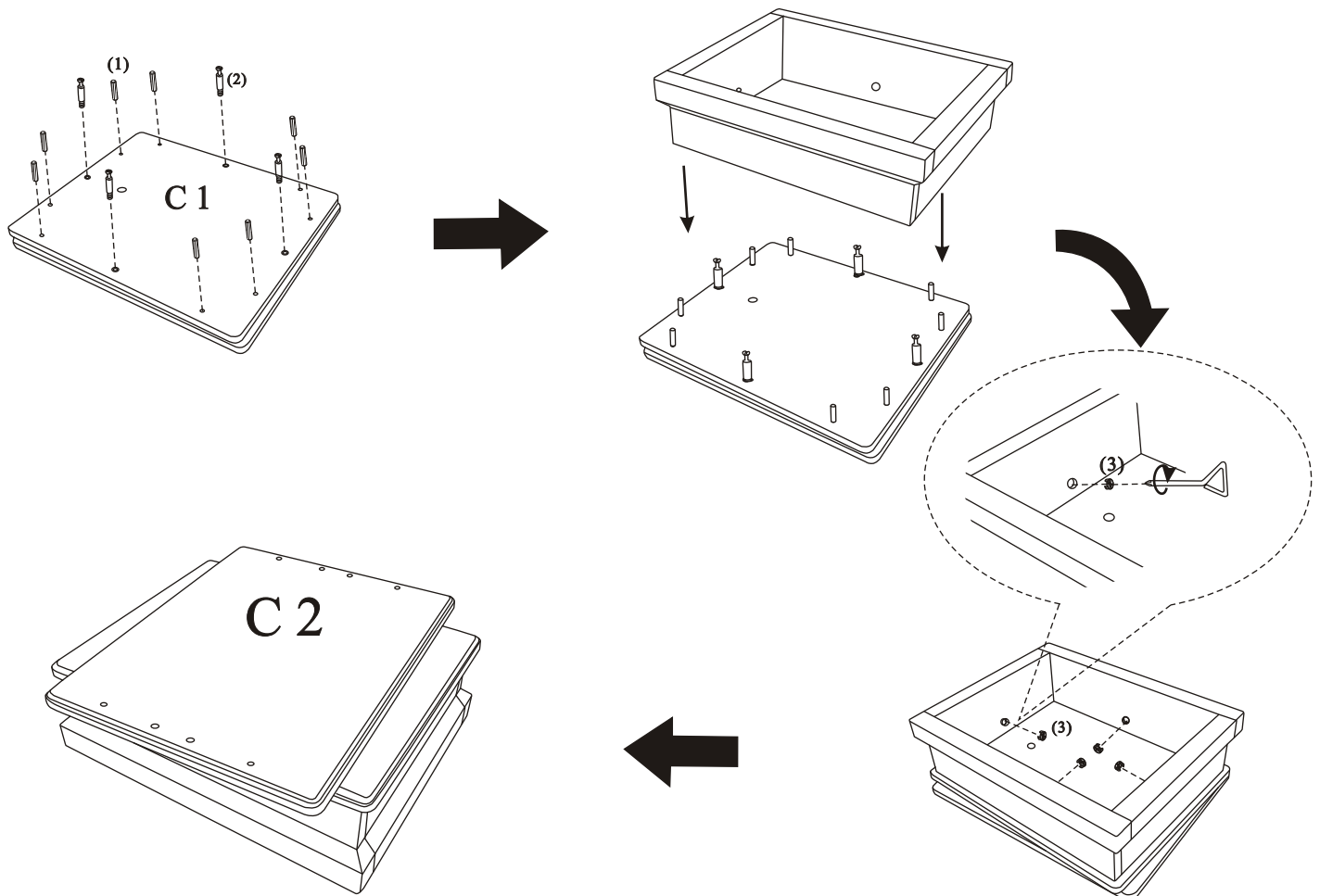
Step 1 – Assemble the Base:

Assemble 2 Long Base Boards (A) & 2 short Base Boards(B) using 8 Wood Dowel Pegs (1) and 4 Cam Screws (2), then tighten 2 Long Base Boards(A) and 2 Short Base Board (B) together using 4 Can Lock(3) and turn over the base.



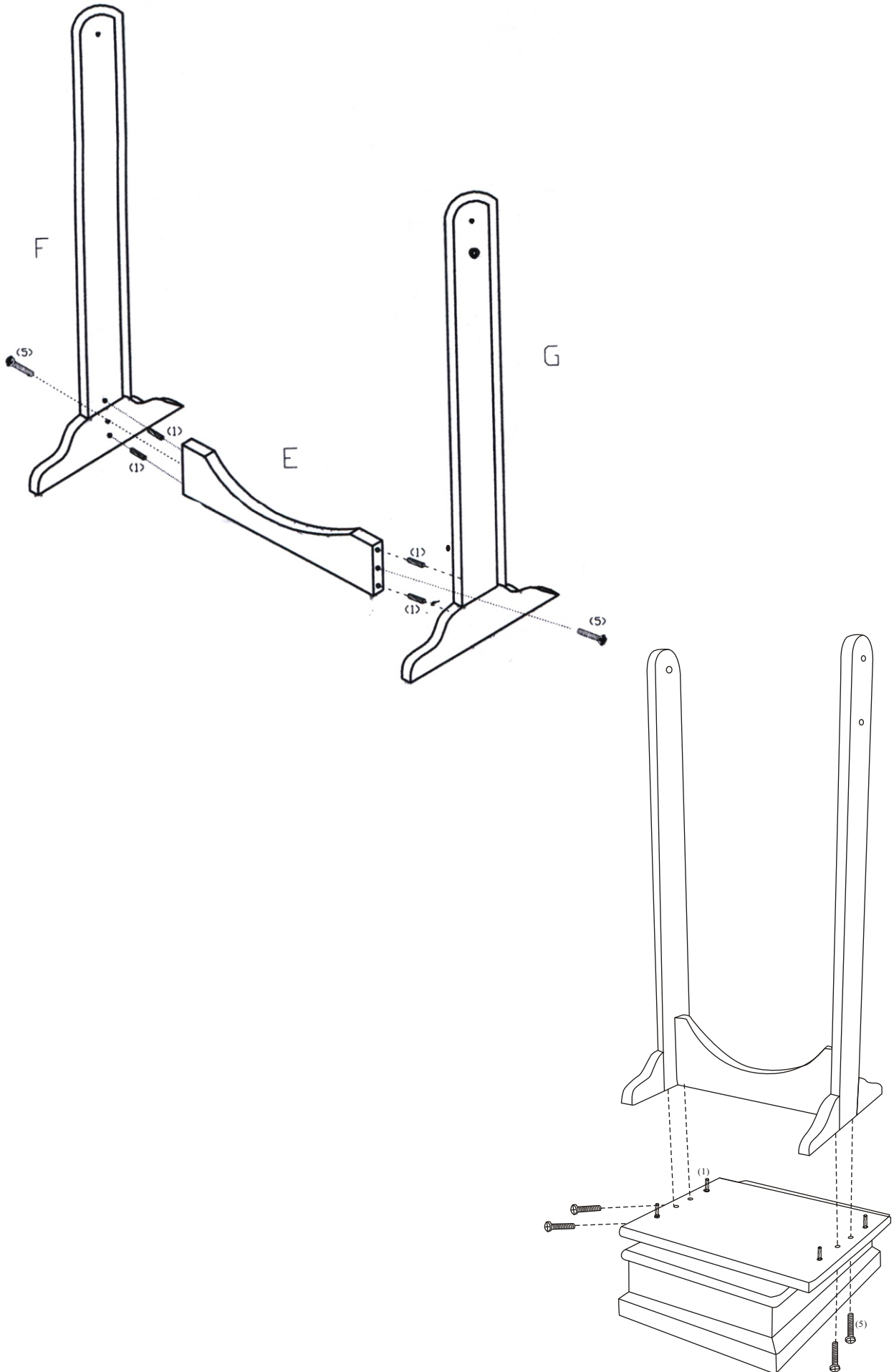
Step 2 – Attach the Rotating Platform to the Base:

Insert 8 Cam Screw(2) and 8 Wood Dowel Pegs(1) on the Rotating Platform (C1), and then place the padded surface on the Rotating Platform (C1) using 4 Cam Locks(3). Turn over the Swivel Base to C2, and spin the Rotating Platform (C2) vertical with the swivel base.



Step 3 – Assemble the Legs and Cross Piece to the Rotating Platform:

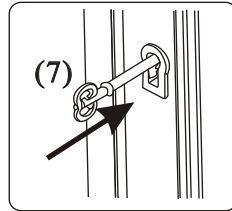
Attach inner side of Legs (F & G) to Crosspiece (E) using 4 Wood Dowel Pegs (1) and 2 Long Screws (5). Next, mount the Legs to the Rotating Platform using 4 Wood Dowel Pegs (1) and 4 Long Screws (5). (Note: swivel base to side as shown below to access the holes from underneath.)



Step 4 – Attach Mirror Cabinet to the Legs:

NOTE: THIS STEP TAKES 2 PEOPLE

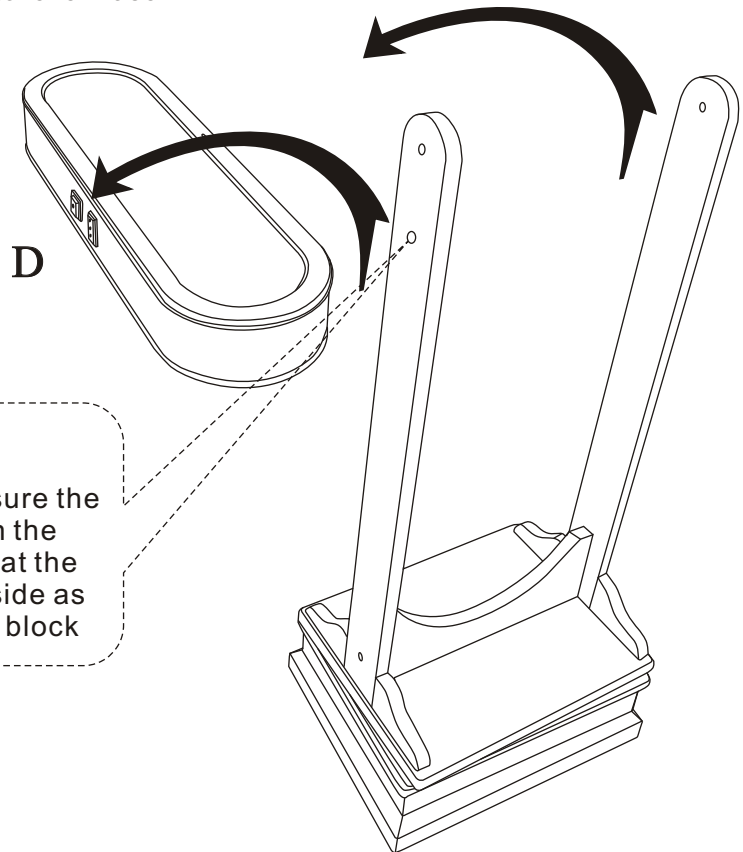
TO AVOID DAMAGE DURING THE ASSEMBLY PROCESS, LOCK THE CABINET DOORS SHUT SO THEY DO NOT SWING OPEN DURING SET UP.



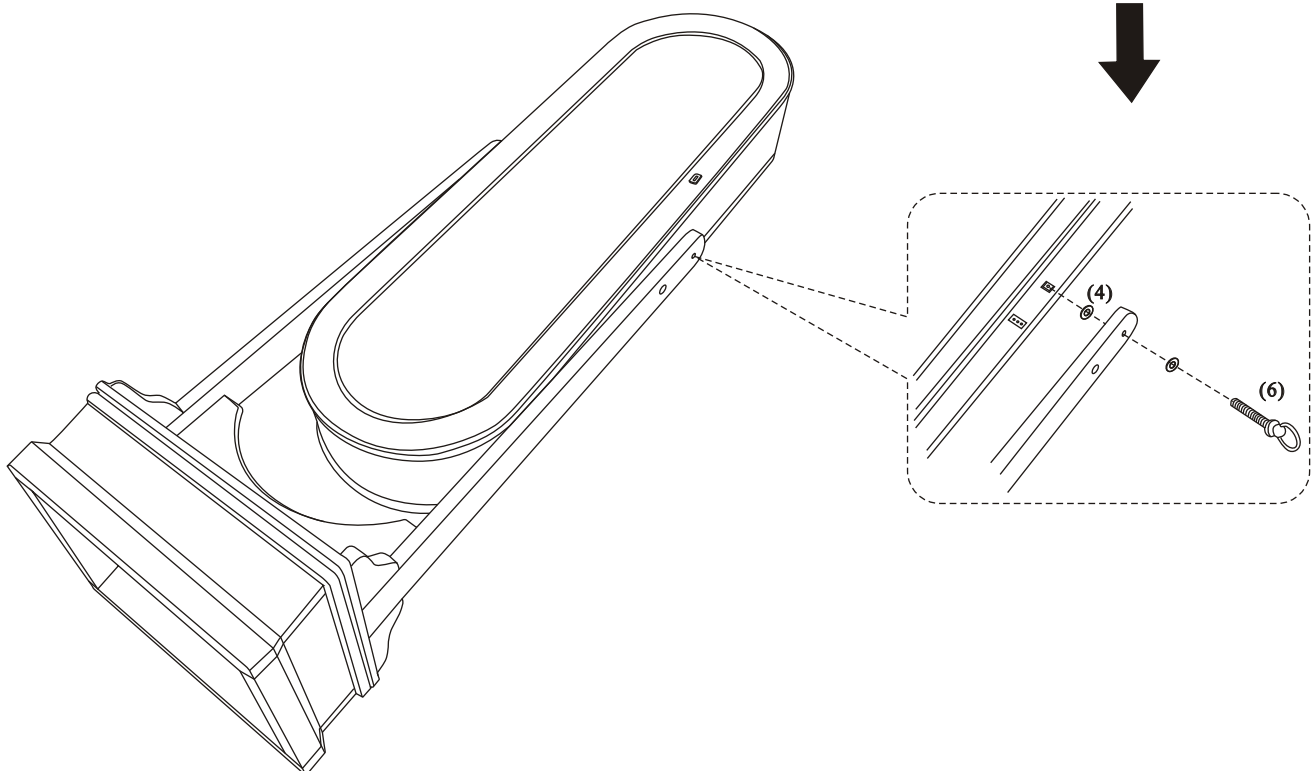
One person hold the mirror on the floor. Second person place the Base and Legs horizontally with mirror.

Make sure line up the screw holes of the Legs to the Side Holes in the Mirror and insert 2 Loop Screws (6) with 4 Washers (4). Twist in until snug, but do not over tighten.

Next: both people lift the mirror and tilt back onto level Base.

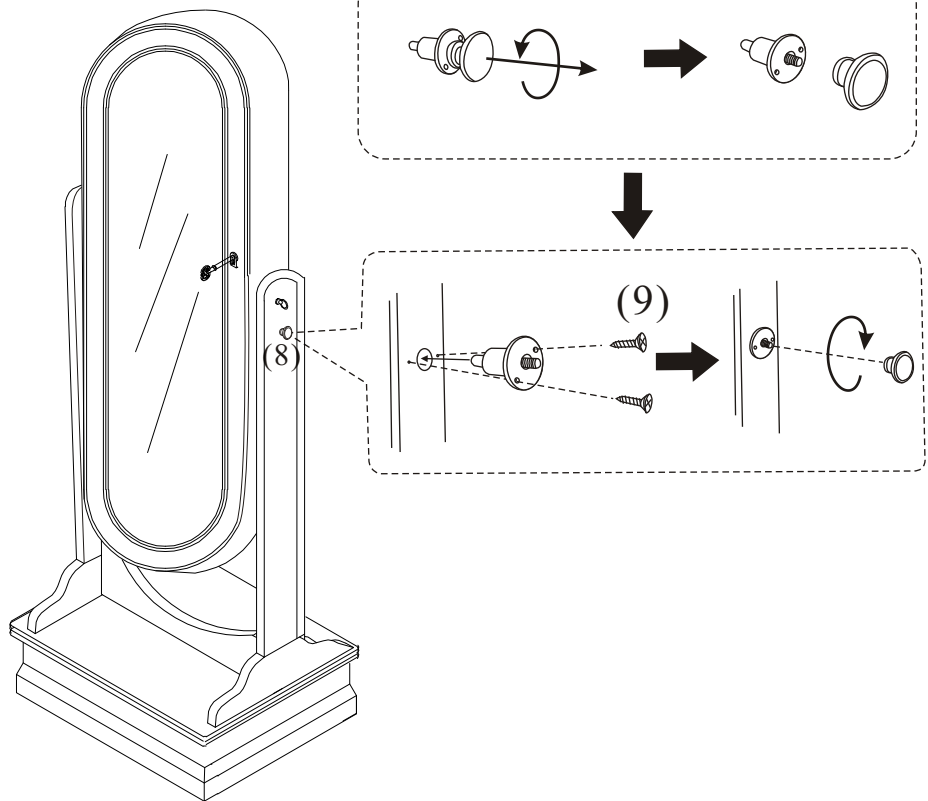


NOTE:
Make sure the
hole on the
legs is at the
same side as
the pin block

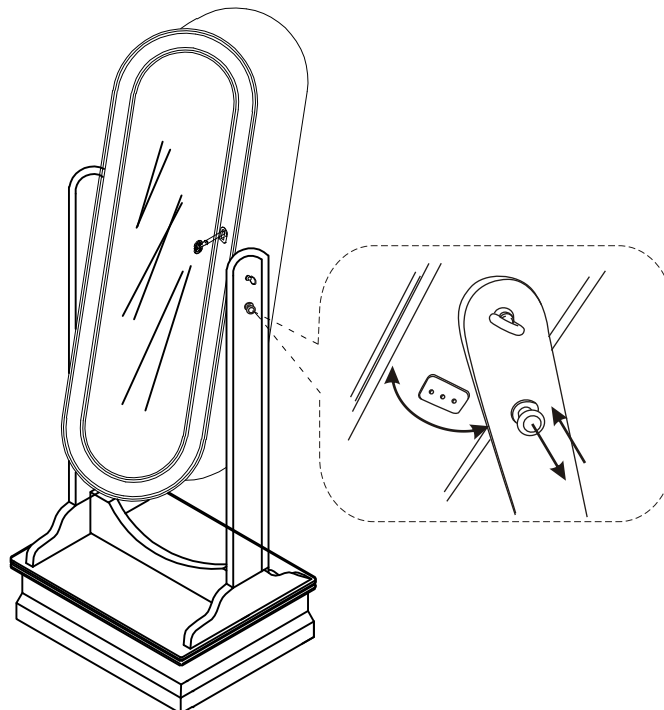


Step 5 – Attach Mirror Adjustment Pin:

Person 1-tilts and holds the Mirror angled away from Legs. Person 2-Insert Adjustment Pin (8) into Leg G and align the holes level to ground(Unscrew the pin cap first, then use the 2 Little Screws (9) to anchor Adjustment Pin (8), then screw back the pin cap, see photo)



Person 2-pulls out the Adjustment Pin as Person 1-lowers Mirror to upright position. Person 2-release the Pin to engage the side plate on Mirror and stabilize the Mirror.



To adjust the angle of the Mirror, pull the Adjustment Pin out approx. ¼" and tilt Mirror, let go of Adjustment Pin and tilt Mirror until it engages one of the position holes and stabilizes.

Step 6 – Opening and Locking Cabinet Doors:

One Key (7) is provided that opens each doors. Turn counter clockwise to open.

Note: The doors also have a Tension Clasp inside each which holds the door tightly closed.

To open: level the cabinet, hold cabinet top with one hand, then pull door open strongly with the other.

To close: hold cabinet with one hand, firmly push door closed until it snaps closed.

About your Gold & Silver Safekeeper®

The Gold and Silver Safekeeper® Oval Spinning Mirrored Jewelry Cabinet is designed to prevent tarnishing of your silver jewelry for 25 years or more, while providing convenient, organized storage for all your jewelry items. It will preserve your polished silver and keep it shiny, but will not transform a tarnished piece to become shiny. It is also safe for all your jewelry, gold, pearls, gemstones and costume.

Note: We recommend using ONLY a Silver Polishing Cloth to clean your tarnished jewelry. Many liquid and paste jewelry cleaners have sulfur and other chemicals in them which remove tarnish, but can also cause re-tarnishing again quickly. If you use a liquid or paste cleaner, make sure that it is thoroughly rinsed clean and that your jewelry is 100% free of any cleaner residue. This would require several minutes of rinsing with clean water.

About the Storage Sections And Their Uses:

- The Earring Bars are meant for hanging both your pierced earrings (simply place earring post into the slots on the cross bar and then tighten the earring back) and your clip-on earrings (simply clip the earring onto the cross bar). Be careful not to put too much pressure on the Earring Bars when placing your earrings on and off.
- Under the Earring Bars, you will find Bracelet and Necklace Hooks. Hang your chain style jewelry on the Hooks. You can double and triple stack thin ones.
- The large Ring Pad area has slits aligned horizontally across the whole pad. Simply press your rings into the slits. The foam core will hold your rings safely in place.
- There are numerous storage shelves within the inner cabinet. These shelves can be used for items that do not fit into the other specialize portions of the cabinet.

REMEMBER: Always keep the doors of your Silver Safekeeper® closed when not in use, for the anti-tarnish properties to work.

Lori Greiner

Note: upon first opening your jewelry cabinet, you may notice an odor, which is part of the lacquer and finishing process of the box. This odor is normal and will dissipate in time.

For questions or comments write: FYEO, Inc. P.O. Box 385, Winnetka, IL 60093
or visit: www.LoriGreiner.com

Fabric made in the USA, jewelry cabinet made in China.

© 2011 All Rights Reserved - For Your Ease Only, Inc.

PATENTED, INTERNATIONALLY PATENTED, and PATENT PENDING