



Gold & Silver Safekeeper™ Wall Mounted Mirrored Jewelry Cabinet by Lori Greiner

Congratulations – you have just received a wonderful Wall Mounted Mirrored Jewelry Storage Cabinet that not only will store and display your jewelry items efficiently, but will keep them from tarnishing for 25 years or more.

Carefully unpack the box to find the hardware pack inside the Cabinet. The screw driving wrench included and a hammer will be the only tools required. (A drill with a 1/4” bit can also be used if available.) We recommend that you unpack and assemble the Mirrored Jewelry Cabinet close to the location you will be hanging it.

Locate the following pieces:

1 Mirrored Cabinet	(A)	1 Screw Driver Wrench	(E)
3 Anchors	(B)	1 Key	(F)
3 Anchor Screws	(C)	1 Template Picture	(G)
3 Longer Wall Screws	(D)		

By referencing the attached diagram sheets and following the assembly instructions below, you will be able to set up your Mirrored Jewelry Cabinet in a matter of minutes. *NOTE: to avoid damage during assembly, lock the Mirrored Cabinet Door shut so that it does not swing open during set up.*

Step 1 – SELECT THE POSITION TO HANG YOUR MIRROR:

Hold the Paper Template (G) up to your wall to find the best position for your mirror. Tape it to the wall tightly so the paper is smooth on the wall. (Line this up so that it is as level as possible.)

Step 2 – MARK THE WALL FOR SCREW POINTS:

There are 2 + marks on the page (G) that correspond to the 2 places you need to drill a little starter hole or hammer in the Anchor (B). Mark these 2 + spots with a pencil or drill directly through the paper.

ATTENTION: The Template (G) marks + are in the approx. position the Metal Mount hardware should be attached on your Mirror Cabinet (A) Back. Before marking your wall or drilling – verify that the Metal Mounts are attached to your Cabinet Back equal distances from the top of the cabinet edge to ensure a level hanging result. Small adjustments may be necessary.

Step 3 - INSERT ANCHORS INTO WALL:

Place 1 Anchor (B) on each of the 2 + spots and slightly hammer in the spike of the Anchor. Do not hammer in past the “threaded” part of the Anchor which starts about half way up the Anchor. Once hammered in, insert screw driver and twist clockwise while pushing and the threads of the Anchor will put the Anchor into your drywall.

ATTENTION: if you hit something hard and the Anchor will not screw in, you may have hit a “stud” in the wall. In this case, you do not need the Anchor (B) so pull it out. Instead, use the longer screws (D) for this + spot.

Step 4 – INSERT SCREWS:

Once all the anchors are in, insert the Screws (C) into each of the Anchors (B). Screw them in almost all the way, but leave the head of the screw protruding about 1/4 inch. This is what the mirror cabinet back (A) will hang onto.

Step 5 – HANG THE CABINET ONTO THE SCREW HEADS:

Once the 2 Screws (C) or (D) are mounted in the wall and the screw heads are protruding 1/4 inch, carefully lift the Cabinet (A) up and mount on wall by matching the 2 holes on the back of the Cabinet (A) to the Screw heads. Once you clear each of the 2 screw heads, let the Cabinet slide down about 1/4" so that the mounting hardware on the back of the Cabinet hangs over the Screws (C) or (D).

Step 6 – CHECK THAT MIRROR IS SECURELY MOUNTED and ATTACH BOTTOM BRACE:

Once mounted, but before you let go of the cabinet, carefully check that the back of the Cabinet is tight against your wall. Be sure that both screws are engaged to be sure it is secure. *NOTE:* If it is too loose or too tight to wall when you hang, loosen or tighten the screw head accordingly. Once you are happy with the placement, locate the Bottom Brace and rotate it down until straight. Mark the center of the hole. Rotate out of the way and insert the 3rd Anchor (B) and then attach Brace with 3rd Anchor Screw (C). Alternately, use the Long Screw (D) to secure.

The Gold & Silver Safekeeper™ Mirrored Jewelry Cabinet is designed to prevent tarnishing of your silver jewelry for over 25 years, while providing convenient, organized storage for all your jewelry items. It will preserve your polished silver and keep it shiny, but will not transform a tarnished piece to become shiny. It is also safe for all your jewelry, gold, pearls, gemstones and costume!

Note: We recommend using ONLY a Silver Polishing Cloth to clean your tarnished jewelry. Many liquid and paste jewelry cleaners have sulfur and other chemicals in them which remove tarnish, but can also cause re-tarnishing again quickly. If you use a liquid or paste cleaner, make sure that it is thoroughly rinsed clean and that your jewelry is 100% free of any cleaner residue. This would require several minutes of rinsing with clean water. For this reason, we highly recommend using only polishing clothes to clean your jewelry and assure the effectiveness of your Silver Safekeeper™.

Storage sections and their uses:

- + The Earring Bars are meant for hanging both your *pierced* earrings (simply place earring post into the slots on the cross bar and then tighten the earring back) and your *clip-on* earrings (simply clip the earring onto the cross bar). Be careful not to put too much pressure on the Earring Bars when placing your earrings on and off.
- + Under the Earring Bars, you will find Bracelet Hooks and a Bracelet Cross Bar. Hang your chain style bracelets on the Hooks and place your cuff style bracelets onto the Cross Bar.
- + At the bottom of the door, you will find Necklace Hooks for hanging your necklaces upon.
- + At the top of the inner cabinet you will find a large Ring Pad area with slits aligned horizontally across the whole pad. Simply press your rings into the slits. The foam core will hold your rings safely in place.
- + Below the Ring Pad area you will find another Necklace Hook area for hanging more necklaces upon.
- + Finally, there are numerous storage shelves on the lower half of the inner cabinet. These shelves can be used for items that do not fit into the other specialize portions of the cabinet.

REMEMBER: Always keep your Silver Safekeeper™ Wall Mounted Mirrored Jewelry Cabinet closed when not in use, for the anti-tarnish properties to work.

Enjoy!

Lori Greiner

Note: upon first opening your jewelry cabinet, you may notice an odor, which is part of the lacquer and finishing process of the box. This odor is normal and will dissipate in time.

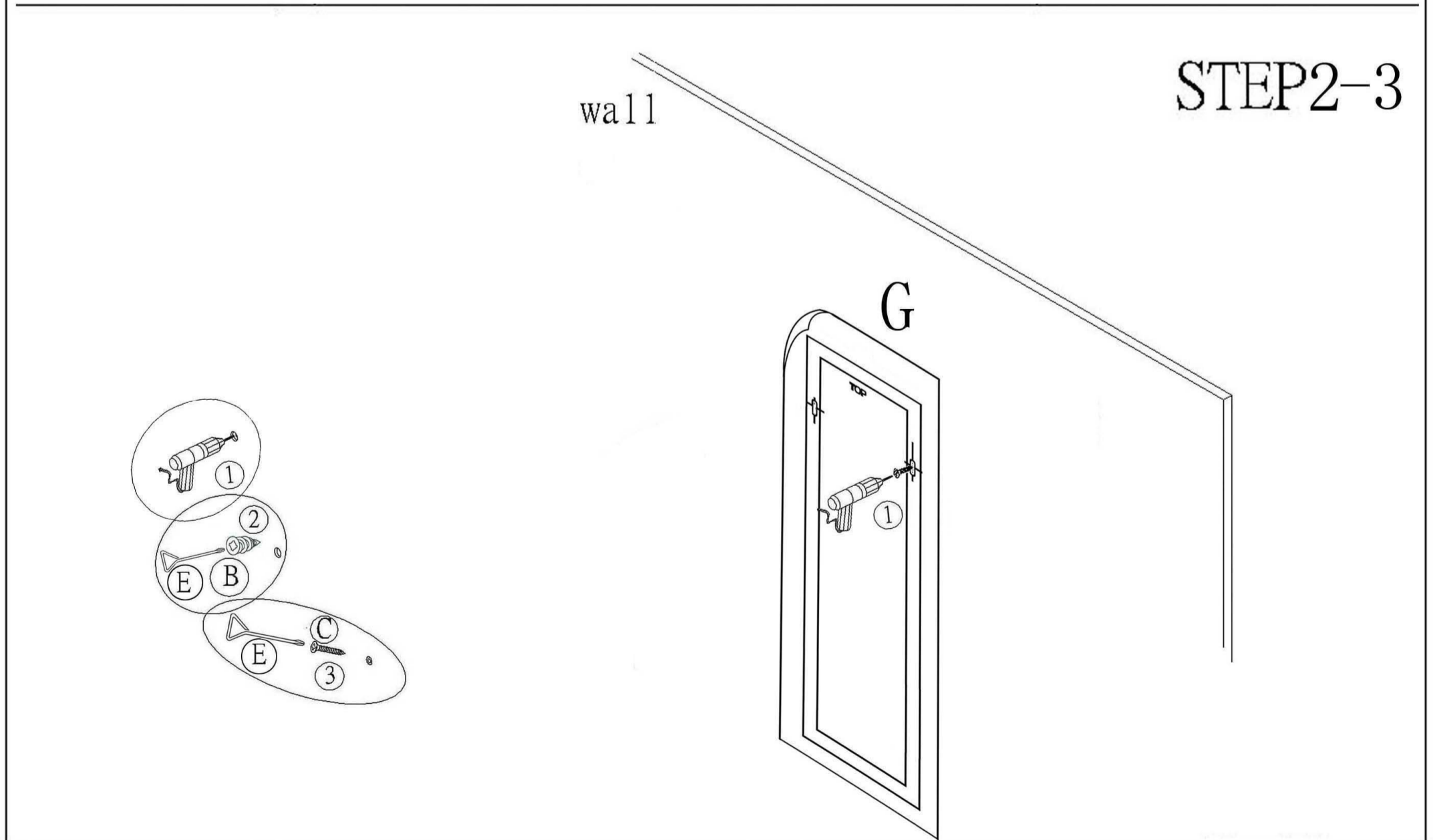
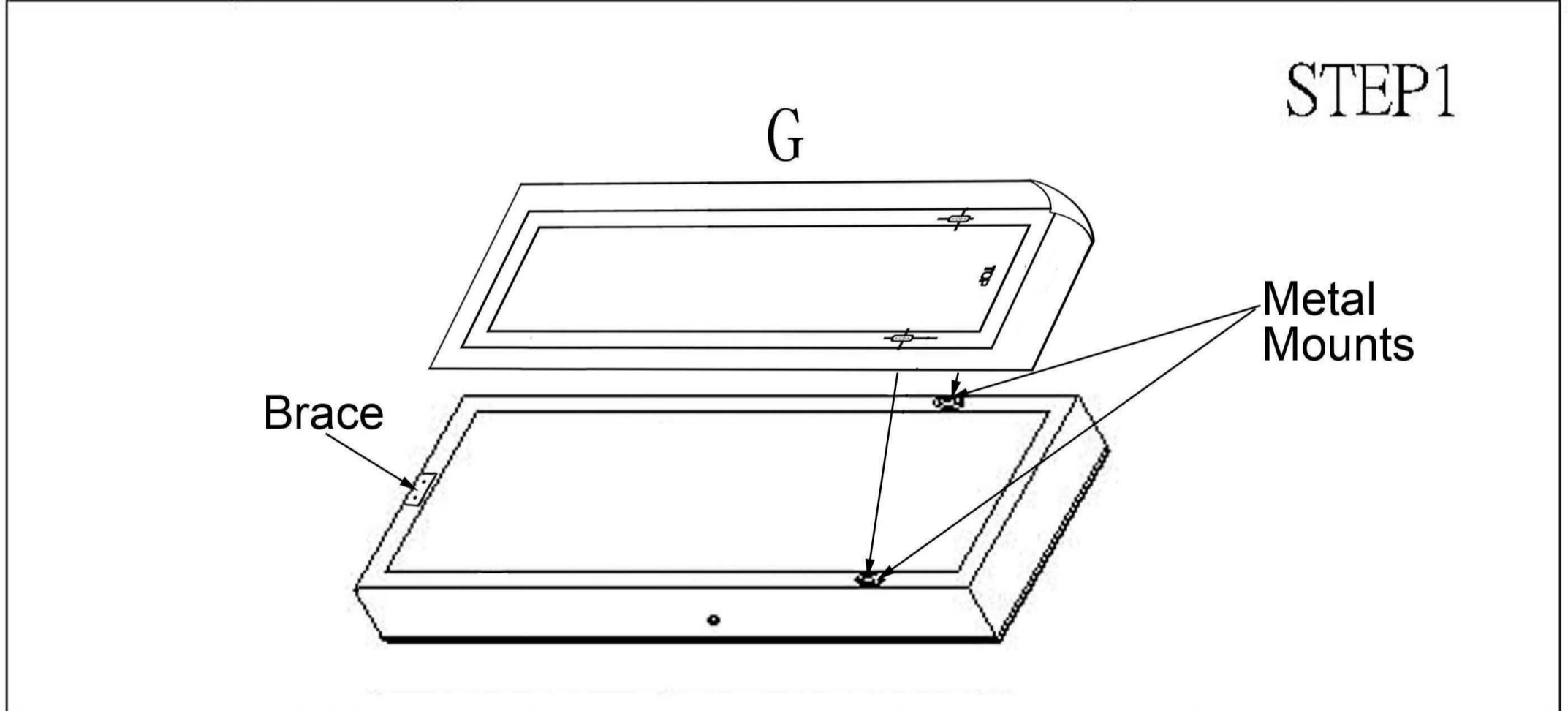
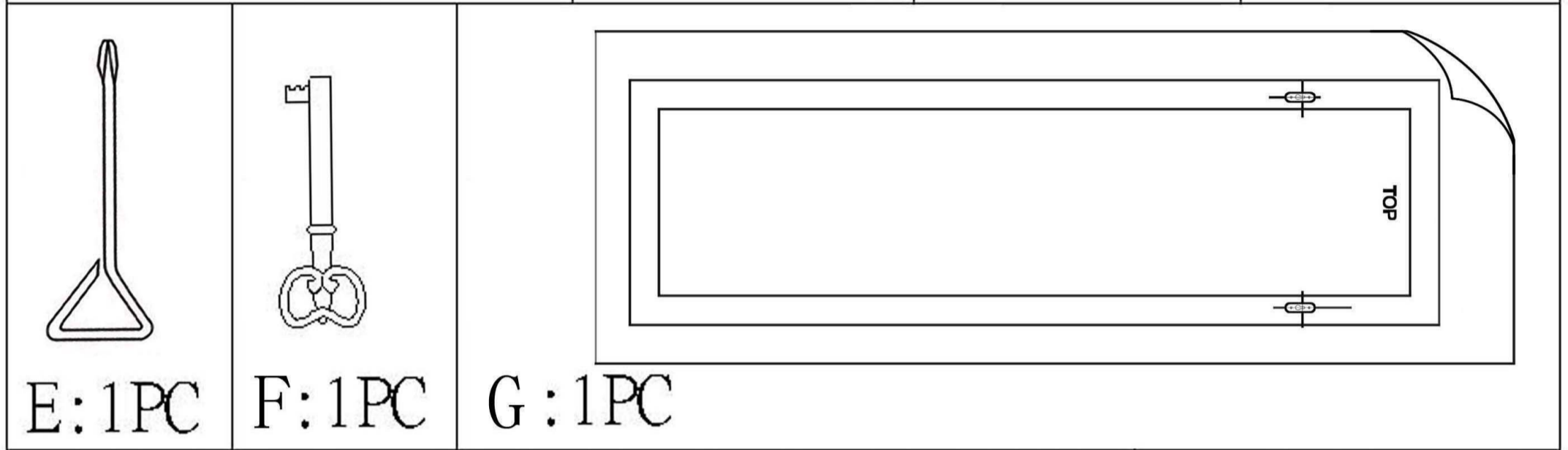
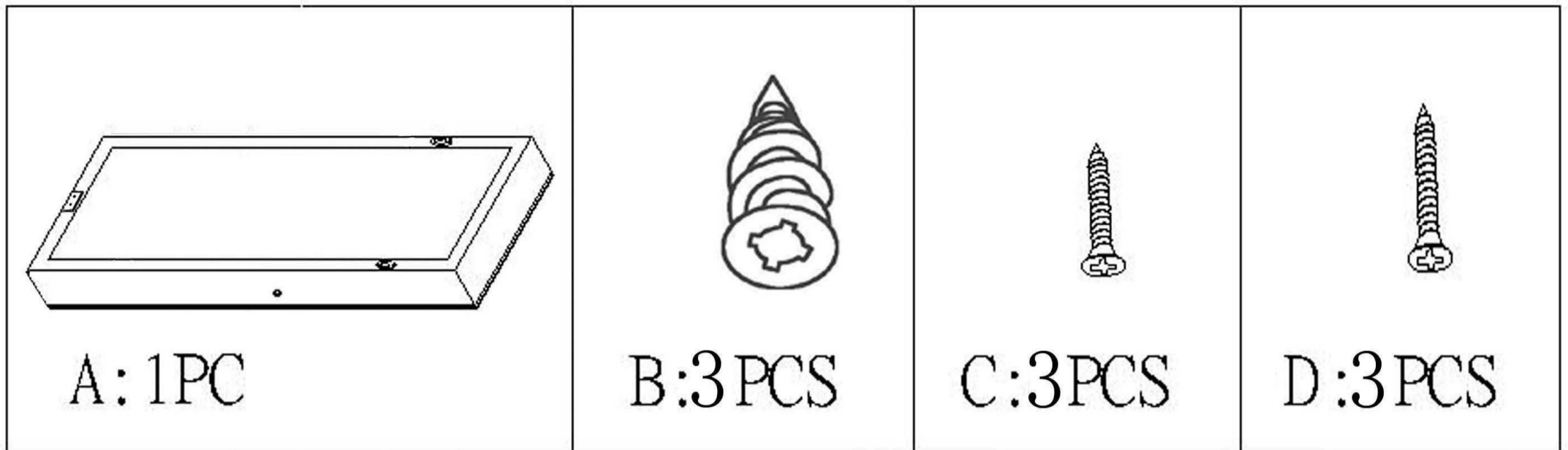
For questions or comments write: FYEO, Inc. P.O. Box 385, Winnetka, IL 60093

Fabric made in the USA, jewelry cabinet made in China.

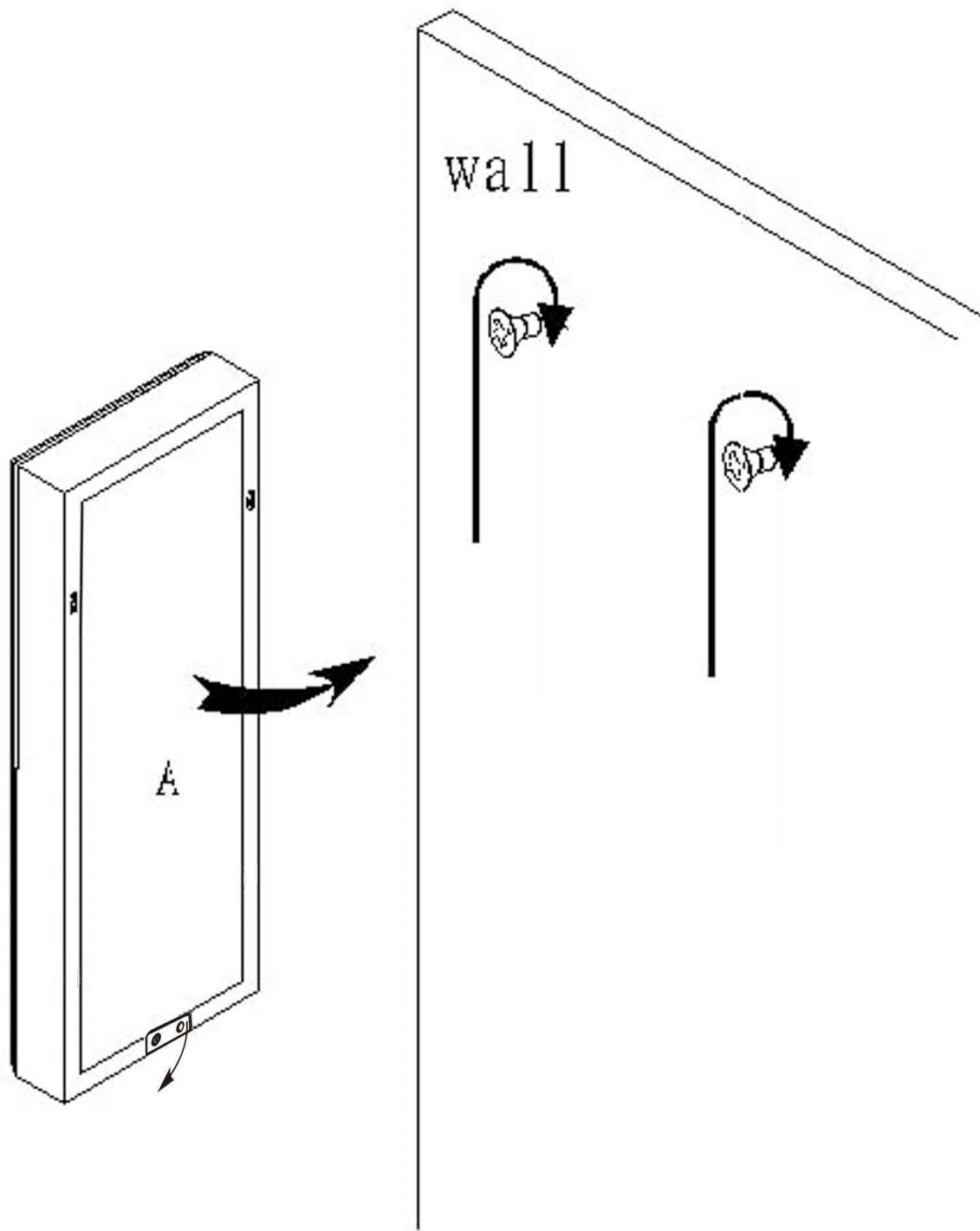
© 2004 All Rights Reserved - For Your Ease Only, Inc.

PATENTED, INTERNATIONALLY PATENTED, and PATENT PENDING

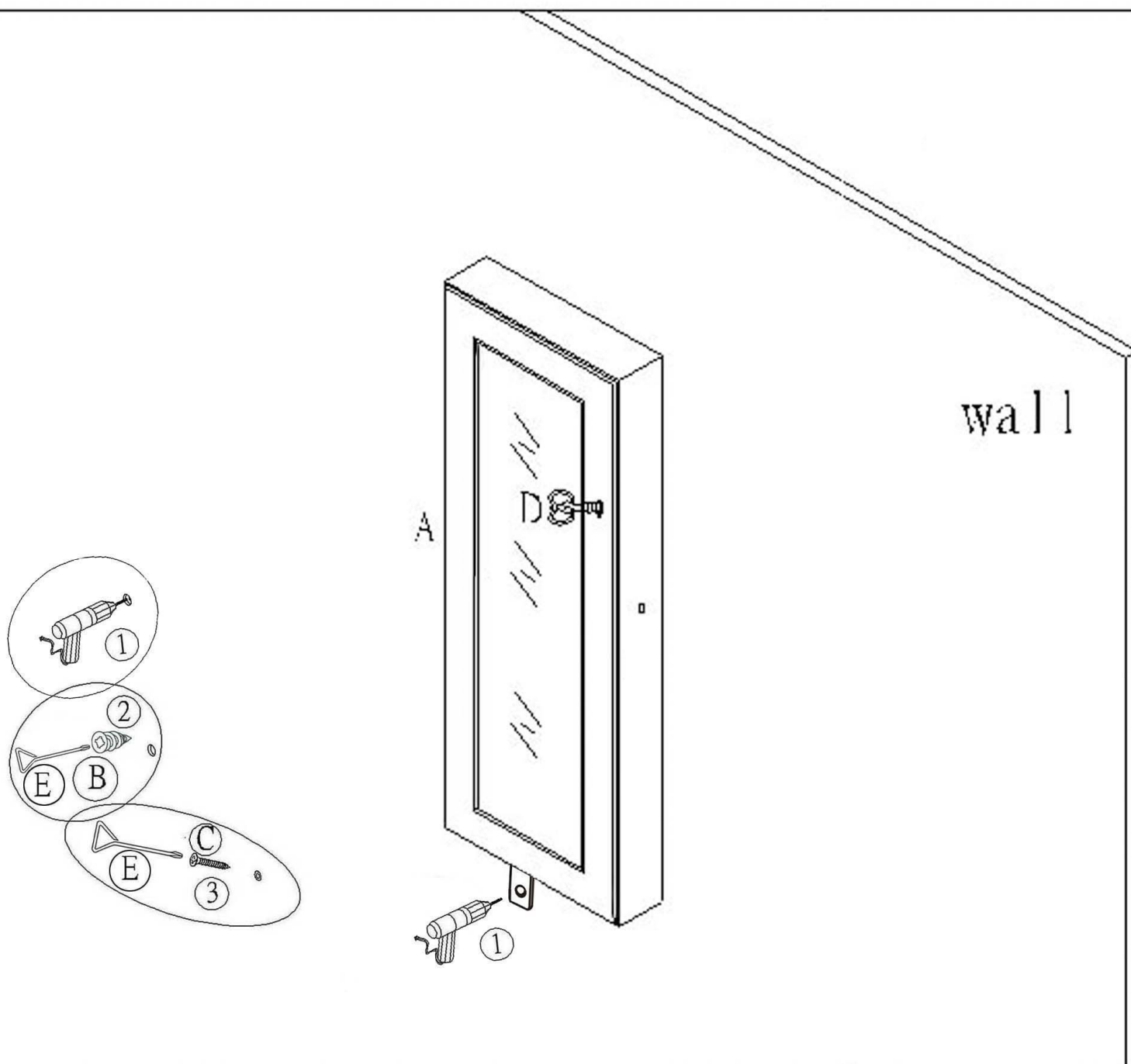
Mouting Diagram



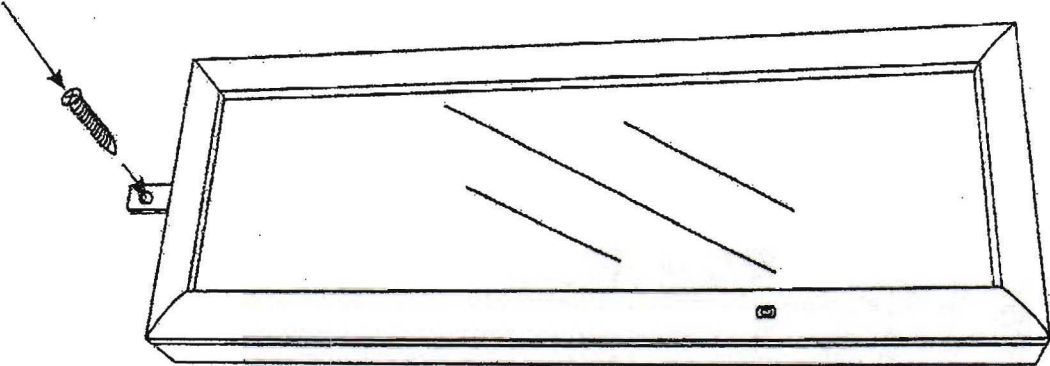
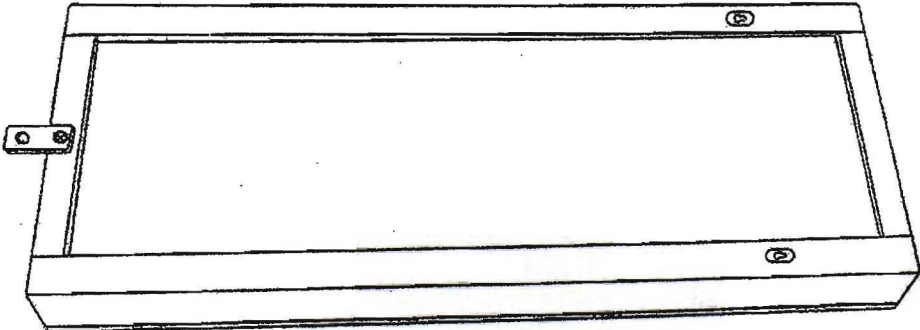
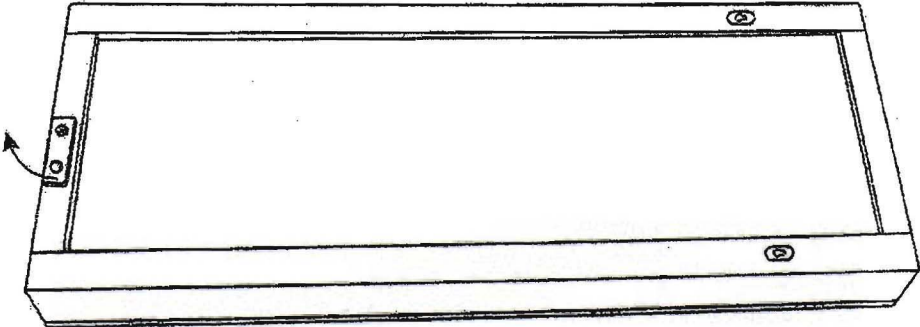
STEP 3-4



STEP 5



STEP 6



Wall