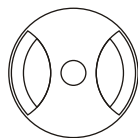


# IMPORTANT, PLEASE READ!

## HINGE & TURNTABLE OPERATION STEPS

### HINGE OPERATION

- Gently open the top cover and simply guide the hinge into place. Slowly lower the cover until the hinge locks in position. (Please see page 9 in the instruction manual for more detailed instructions and diagrams for proper cover hinge operation.)



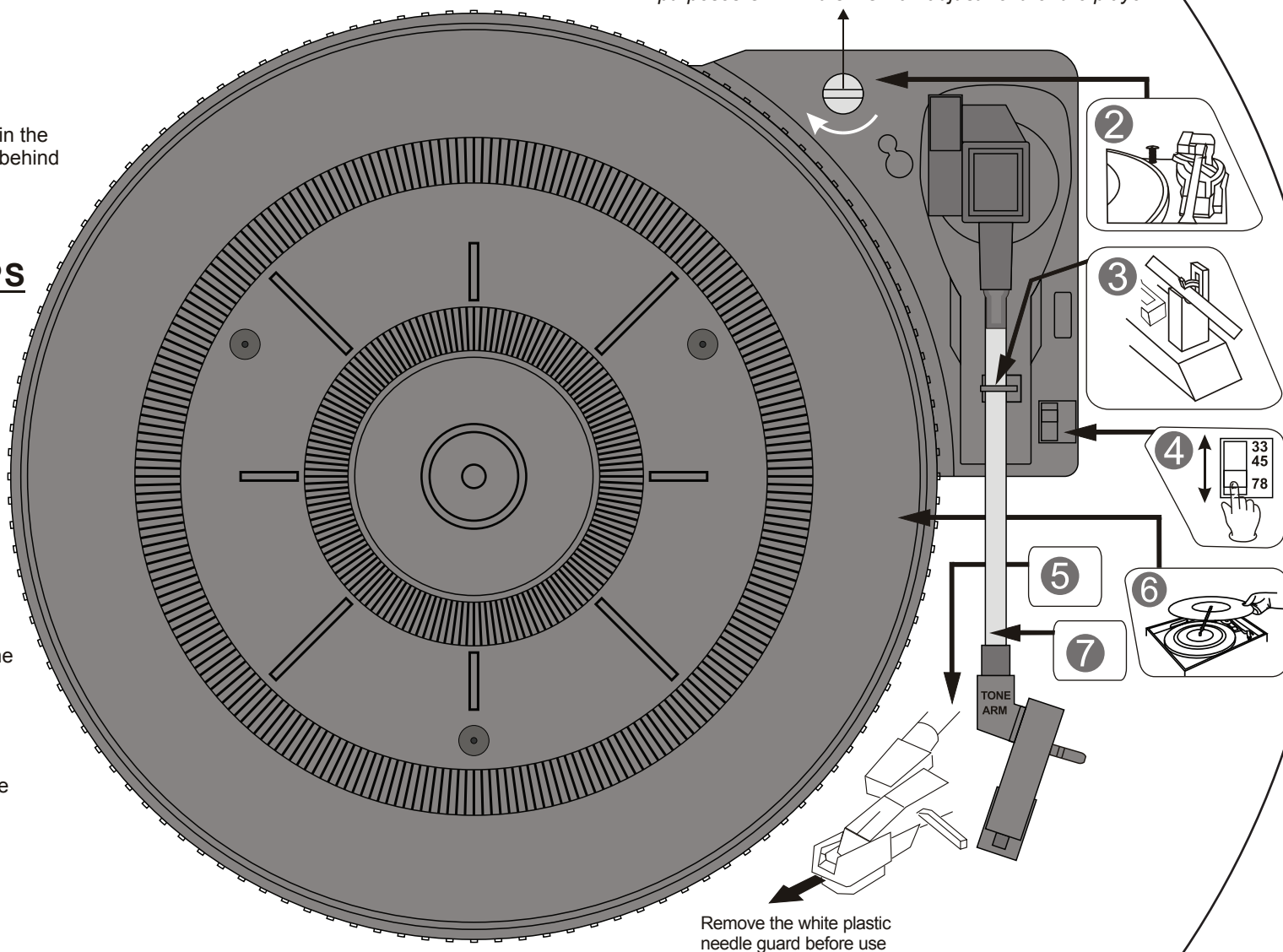
45 RPM adapter is located in the back left corner of the unit, behind the turntable platter.

### TURNTABLE OPERATION STEPS

1. Plug in the unit.
2. Rotate the Safety Screw clockwise with a coin or screwdriver.
3. Remove the tone arm-rest holder.
4. Select the speed.
5. Remove the white plastic needle guard and keep it in a safe place for future use.
6. Put a record on the turntable.
7. Move the tone arm gently to the desired position over the record to start playing. At the end of record, return tone arm to the arm-rest manually.
8. At the end of each use, replace white plastic needle guard to protect needle

#### Please Note: Safety Screw

The function of this screw is for transportation purposes ONLY. It is NOT an adjustment for the player.



The tone arm will automatically stop at the end of the record. Then you must return the tone arm to the arm-rest manually.

Some records will continue to spin because this is factory preset to accommodate most record albums. It does not mean that the record player is malfunctioning or defective.