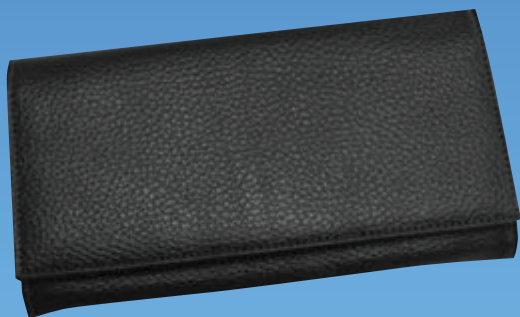



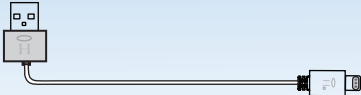



**POWER  WALLET™**  
WITH RFID PROTECTION BY HALO



**Operating Instructions**

# Choosing the Appropriate Cable to Charge Your Personal Electronic Device

Model	Corresponding Cable/Tip
iPhone 4, 4s, iPod classic, iPad 1, 2, 3, iPod nano & earlier models	 Standard USB-30 pin Cable
iPhone 5, 5c, 5s, iPad 4, iPad Mini, iPad w/retina, iPod nano w/multi-touch and retina displays	 Standard USB-Lightning Cable
Android, Samsung and Windows Phones & Tablets	 Standard USB-Micro USB Cable

## Charging Your Personal Electronic Device

### iPhone 4, 4s, iPod Classic, iPod Nano and Earlier iPhone/iPod Models

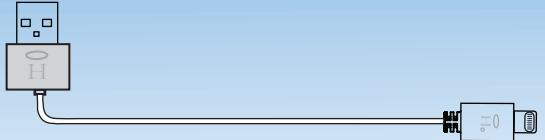
1. Using the provided Standard USB-30 pin cable, plug the Standard USB end into one of the USB OUT ports on the HALO charger.
2. Plug your personal electronic device into the 30-pin tip end of the cable and your device will automatically begin charging.

# What's Included With Your HALO POWER WALLET™

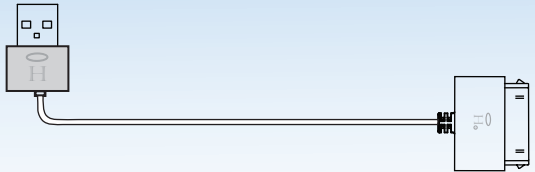
Detachable  
Standard USB-  
Micro USB cable



Detachable  
Standard USB-  
Lightning cable



Detachable  
Standard USB-  
30 pin cable



## Getting To Know Your HALO Phone Charger

Power button/LED battery indicator/Standard USBOUT port (2A)



Built-in Standard USB IN cable

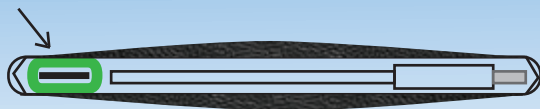
Standard  
USB  
OUT port (1A)



## To Turn On/Off the HALO Charger

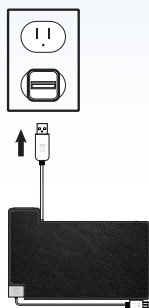
To turn on, press the power button/USB OUT port on the top of the HALO charger and the LED lights around the port will illuminate. Press and hold the power button/USB OUT port for three seconds to turn off.

Power On/Off Button

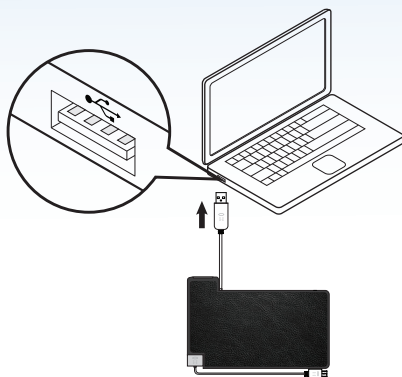


## Charging the HALO Charger

Wall Adapter  
(not included)

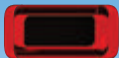

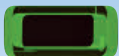


Computer







Using the built-in Standard USB IN cable, plug the USB tip into the Standard USB port on your computer or an AC adapter (not included) that accepts Standard USB. Your HALO charger will automatically begin charging.

## Check Your HALO Charger's Battery Level

Indicator Light	How To Read	Amount of Charge
	Red light	0%-33%
	Yellow light	34%-66%
	Green light	67%-100%

## Reading Your LED Battery Indicator While Charging Your HALO Charger

Indicator Lights	How To Read	Amount of Charge
	Red light blinking	0%-33%
	Yellow light blinking	34%-66%
	Green light blinking	67%-99%
	Solid green light	100% fully charged

## **iPhone 5, 5c, 5s iPod Nano w/Multi-Touch and Retina Displays**

1. Using the provided Standard USB-Lightning cable, plug the Standard USB end into one of the USB OUT ports on the HALO charger.
2. Plug your personal electronic device into the Lightning end of the cable. Your device will automatically begin charging.

## **Android, Samsung and Windows Phones/Tablets**

1. Using the provided Standard USB-Micro USB cable, plug the Standard USB end into one of the USB OUT ports on the HALO charger.
2. Plug your personal electronic device into the Micro USB end of the cable. Your device will automatically begin charging.

## **For Other Personal Electronic Devices**

Certain electronic devices (such as Nook Color, Nook HD, Samsung Galaxy Tab 2 & 3) have special connectors. If your personal electronic device does not accept one of the provided connectors, please use the cable provided with your device for charging. Plug the Standard USB end of the cable that came with your device into one of the Standard USB OUT ports on the HALO charger. Plug your personal electronic device into the other end of the cable and your device will automatically begin charging.

To contact us, email us at  
[support@halo2cloud.com](mailto:support@halo2cloud.com)  
or call 888-907-6274

HALO2CLOUD, LLC  
148 Eastern Boulevard  
Glastonbury, CT 06033 USA  
[www.halo2cloud.com](http://www.halo2cloud.com)

The HALO cloud logo is  
a registered trademark of  
HALO2CLOUD, LLC

## **Charging Two Electronic Devices**

You can charge two devices simultaneously by using both Standard USB OUT ports on your HALO charger at the same time. You can use two of the three provided cables at the same time, or you can use one of the provided cables plus your own cable that came with your personal electronic device.

## **Charging Tablets**

Your HALO charger is equipped with two Standard USB out ports: a 1A port and a 2A port. Both can be used for charging your personal electronic devices and can be used simultaneously. When charging tablets and other large electronic devices, it is recommended to use the 2A (port/power button/LED battery indicator). The 1A port can also be used and will not harm your tablet or personal electronic device; however, the 2A port will charge your larger devices faster than the 1A port.

## **Intelligent Recognition**

The HALO charger is programmed with an intelligent recognition system to achieve higher compatibility for charging different mobile phones. If it does not charge when connected to your mobile phone, please restart the power charger.

## **Compatible with:**

Mobile phones, Tablets, PSP, NDS, MP3, MP4, MP5, Bluetooth GPS, Cameras and more



## **About RFID**

RFID stands for 'Radio Frequency Identification.' Newer credit cards and Passports may contain an RFID chip, which allows wireless, automatic transfer of data.

Check with your credit card company or Passport issuer to see if yours contain an RFID chip. Your HALO Power Wallet is lined with RFID blocking material that blocks transfer of data between your personal credit cards and wireless RFID readers. The RFID material is located throughout the main lining of the wallet, however, in order to be fully protected and blocked, your wallet must be closed, so all contents are effectively shielded. Exposing your wallet to high heat (e.g. with an iron, oven, dryer, etc.), high humidity or getting it wet will damage the RFID material and may cause it not to work.

## **Storing/Handling/Cleaning**

- Do not get wet or store in extreme temperature conditions.
- Do not disassemble or attempt to repair yourself.
- Use a soft cloth with soap to clean the exterior of your HALO charger. Do not use liquid detergent or chemicals of any kind.

## **Safety Precautions**

- This HALO charger has been designed and manufactured to ensure personal safety. Please read the following carefully before using. Incorrect operation or incompatibility with your personal electronic device may result in reduced battery performance or damage.

- Carefully read the operating instructions, and use the HALO charger correctly
- Caution: The lithium-ion rechargeable battery used in this charging device may present a risk of fire or chemical burn if mistreated. Do not disassemble, expose to heat above 212°F (100°C) or incinerate.
- Misusing or incorrectly connecting the HALO charger may cause electric shock to users and damage equipment. The HALO charger may become warm under extended high power operation. During operation, keep the HALO charger away from materials that may be affected by these temperatures.
- When used correctly, lithium-ion rechargeable batteries provide a safe and dependable source of portable power. However, if they are misused or abused, this may result in leakage, burns, fire or explosion, causing personal injury or damage to other devices.
- Do not disassemble the HALO charger. There are no user-serviceable parts inside. Incorrect reassembly may result in shock or fire hazard.
- Do not drop or subject to strong impacts. Do not operate the HALO charger if it has received a sharp blow, or otherwise been damaged in any way.
- Do not expose the HALO charger to moisture, water, rain, or snow.
- Do not insert any object into the ports or openings of the HALO charger.
- Never charge the HALO charger unattended.
- There is a risk of the batteries exploding, overheating, or igniting. Do not disassemble, modify, heat or short-circuit the batteries. Do not place in fire or leave

in hot places. Do not expose to direct sunlight.

- Only charge the HALO charger by the specified method with the specified USB cable.
- In the unlikely event of leakage or explosion use sand or a chemical fire extinguisher.
- Batteries should be recycled or disposed of as per state and local guidelines.

## **Specifications**

Battery Cell: rechargeable lithium polymer battery

Capacity: 3000 mAh

USB Output: 5V/2A

USB Output: 5V/1A

Input: 1A

Dimensions: 5"x 3.3"x 0.4" (126 x 83 x 11 mm)

## **FCC Compliance Statement**

This device complies with Part 15 of the FCC Rules.

Operation is subject to the following two conditions:

- This device may not cause harmful interference, and
- This device must accept any interference received, including interference that may cause undesired operation.

15.21 You are cautioned that changes or modifications not expressly approved by the party responsible for compliance could void the user's authority to operate the equipment.

15.105(b) This equipment has been tested and found to comply with the limits for Class B digital devices, pursuant to Part 15 of the FCC rules. These limits are designed to provide reasonable protection against harmful interference in a residential installation. This

equipment generates, uses, and can radiate radio frequency energy and, if not installed and used in accordance with the instructions, may cause harmful interference to radio communications. However, there is no guarantee that interference will not occur in a particular installation. If this equipment does cause harmful interference to radio or television reception, which can be determined by turning the equipment off and on, the user is encouraged to try to correct the interference by one or more of the following measures:

- Reorient or relocate the receiving antenna.
- Increase the separation between the equipment and receiver.
- Connect the equipment into an outlet on a circuit different from that to which the receiver is connected.
- Consult the dealer or an experienced radio/TV technician for help.

### **Limited Warranty**

HALO2CLOUD, LLC warrants its products to be free from defects in material and workmanship under normal use. Conditions are as follows:

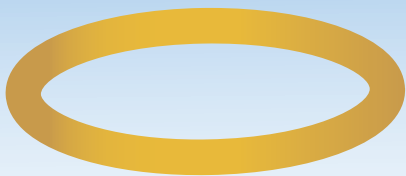
- During the first one year from date of purchase, HALO2CLOUD, LLC will repair or replace the defective product.
- HALO2CLOUD, LLC will, subject to inspection, repair the defective product or replace it with a new or reconditioned unit. The return must be accompanied by a Return Materials Authorization (RMA) number to be issued upon request, and must be shipped prepaid. A shipping rebate will only be extended to the

customer in the event that a defect in material or workmanship is confirmed.

- Warranty is void if the product has been improperly handled or misused in any way, or if the label and/or bar-coded warranty label has been removed or tampered with.- Warranty returns require a check for \$14.95 for processing and handling made payable to HALO2CLOUD, LLC.

- Where applicable, all requests for warranty returns must be accompanied by a proof of purchase and be sent to HALO2CLOUD, LLC ([www.halo2cloud.com](http://www.halo2cloud.com)).

- The warranty does not extend to the electronic equipment that is used or which incorporates with any of our products and accessories. HALO2CLOUD, LLC shall not be held responsible for the improper use of its products.



HH®

To contact us, email us at  
support@halo2cloud.com  
or call 888-907-6274

HALO2CLOUD, LLC  
148 Eastern Boulevard  
Glastonbury, CT 06033 USA  
www.halo2cloud.com

The HALO cloud logo is  
a registered trademark of  
HALO2CLOUD, LLC

**Designed in USA**

Patent Pending    Made in China

The material used on this item is a Man Made Material





HALO™

HALO2CLOUD.COM