

Polaroid iS085 User Manual

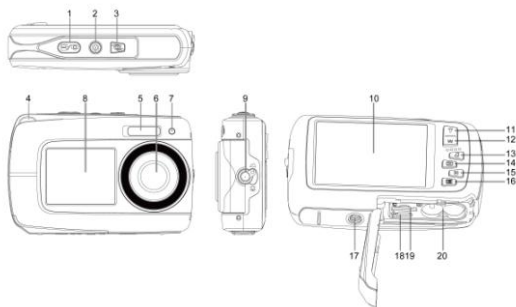
IMPORTANT

- Don't open the battery door under water.
- Close the battery door properly for best water sealing.
- Rinse the camera with clean water after used and keep it dry for storage.

1. Getting to know your camera

16.0 Mega pixels resolution sensor
Digital still camera
Digital video camcorder
Built-in flash light
5x digital zoom
2.7+1.8" TFT color display
Micro SD card support
2 x AAA batteries required

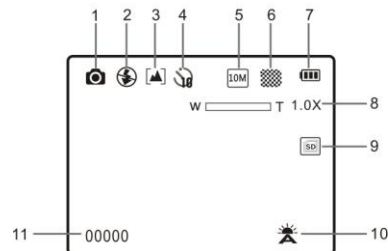
2. Functional parts



1	Shutter	Press this button to take photographs or to start /stop recording a video clip, or to confirm changes in menu mode
2	Power on/off button	Press this button to switch on and press it for at least 2 seconds to shut off, or press it to display or hide the status icon on LCD.
3	LCD switch button	Press this button to switch LCD between the small monitor and the big monitor.
4	Strap hook	Hook for attaching the wrist strap to the camera.
5	Flash light	Use the built-in flash to give the subject extra lighting if it is in dark surroundings (the best flash distance is recommended within 1.5m).
6	Lens	Records the image to be taken. Note: Keep the lens clean. Dirt and fingerprints will affect the quality of the picture.
7	Busy indicator	When the indicator is blinking, the camera is busy.
8	Small monitor	Use the small monitor to take photos of yourself
9	Macro/normal switch	Macro mode: Select this mode to take close-up photographs (distance 11cm - 18cm). Normal mode: Select this mode to take photographs from 0.5m - infinity.
10	LCD screen	Display photographs, video clips, camera setting and menu.
11	Up/Tele	In Preview mode: press this button to Tele (zoom in); In Menu mode: press this button to up the selection bar. In Playback mode (photo) : press this button to zoom in. In playback (Video playing) mode: press it to start/pause the video.
12	Down/Wide	In Preview mode: press this button to Wide (zoom out); In Menu mode: press this button to down the selection bar. In Playback mode (photo) : press this button to zoom out. In Playback mode: press this button to get into the thumbnail mode
13	Left / Flash light	In Menu mode: press this button for the left selection; In Playback mode: press this button to the previous one; In Photo infinite Preview mode: press this button to switch Flash modes; (the flash light cannot be used in macro mode) In Photo (zoom in) Playback mode: press it to move to the left area of the photo. In playback (Video playing) mode: press it to fast rewind.

14	Right / Playback	Press this button to get into Playback mode; In Playback mode: press this button to the next one; In Menu mode: press this button for the right selection; In Photo (zoom in) Playback mode: press it to move to the right area of the photo. In playback (Video playing) mode: press it to fast forward.
15	Mode Switch	Press this button to switch between movie and still capture mode; In Playback mode: press this button to exit. In Photo (zoom in) Playback mode: press it to move to the up area of the photo. In playback (Video playing) mode: press it to stop the video.
16	Menu / Delete	In Preview mode: press it to enter the settings Menus. In Playback mode: Press it for a short time to enter "Delete single/ all files" mode; Press it for a long time to enter file compiling and system setting menu. In Photo (zoom in) Playback mode: press it to move to the down area of the photo.
17	Tripod connector	To fix the camera on the tripod.
18	USB interface	Via this connection, you can download photographs and video clips to a computer.
19	Micro SD card slot	SD card storage location.
20	Battery compartment	Compartment for 2 x AAA alkaline batteries

3. Explanation of the status icons



Item	Function	Description
1	Mode selected	Photographs mode. Videos mode.
2	Flash indicator	Force flash: The flash is on in any environment. Auto flash: The camera determines if the flash should be used or not. No flash: The flash is turned off.
3	Normal/Macro mode indicator	Mode (0.5m – infinity). Macro mode (11cm – 18cm).
4	Self-timer	Shows selected Self-timer setting
5	Selected resolution	14M=4320x3240; 10M = 3648x2736; 5M = 2592x1944; 3M = 2048x1536; VGA = 640x480
6	Picture quality	Super fine. Fine. Normal.
7	Battery indicator	The batteries are full. The batteries are empty.
8	Zoom indicator	Shows the zoom ratio in preview mode
9	The micro SD card indication	The micro SD card is inserted and will be used as storage for PHOTO and VIDEO
10	White Balance	Shows selected White-balance mode.
11	Photo/Video counter	Photo mode: No. of pictures that can be taken. Video mode: Recording time in seconds.

4. Details for camera setting

Category	Setting	Options	Description
Photo	Resolution	16m pixel resolution	4608 x 3456, (16:9)
		14M pixel resolution	4320x3240;
		10.0M pixel resolution	3648x2736;
		5.0M pixel resolution	2592x1944;
		3.0M pixel resolution	2048 x 1536
		VGA resolution	640 x 480
	Quality	Super Fine/Fine/Normal	Picture quality setting
	Metering	Center/Multi/Spot	Metering setting
	White balance	Auto	Automatic white balance
		Daylight	White balance selected for daylight surrounding
Cloudy		White balance selected for cloudy surrounding	
Tungsten		White balance selected for tungsten lighting	
	Fluorescent	White balance selected for fluorescent surrounding	
ISO	Auto/100/200/400/800	Sensitivity selection	
Exposure	±2.0, ±5/3, ±4/3, ±1.0, ±2/3, ±1/3, 0	Exposure setting	
Self Timer	On/Off	Self timer setting	
Sharpness	Hard/ Normal/ Soft	Sharpness setting	
Effect	Normal/ B&W/ Sepia/ Negative/ Lomo/ Pencil Sketch/ Red/ Green/ Blue/ Vivid	Effect setting	
	Date Stamp	On/ Off	Date stamp setting
	Quick View	On/ Off	Quick view setting
Video	Movie Size	HD 720p	Video resolution setting up
		VGA 640 x 480 QVGA 320 x 240	
	White balance	Auto	Automatic white balance
		Daylight	White balance selected for daylight surrounding
Cloudy		White balance selected for cloudy surrounding	
Tungsten		White balance selected for tungsten lighting	
	Fluorescent	White balance selected for fluorescent surrounding	
Setup	Sounds	Off/On	Sounds setting
	Frequency	50Hz / 60Hz	Select power frequency in your location
	Power Save	Off / 1Minute / 3 Minutes	Auto power off selection
	Language	English/ French/ Deutsch/Italian/Spanish/ Portuguese/Japanese	Display language selection
	Date/Time	YY/MM/DD	Date or time setting
	Format	Yes/No	Format the memory location selection.
	Reset All	Yes/No	Reset all setting
Version		See the firmware version	

Note: The camera will remain the last setting when it is turned off.

5. Using the camera

5.1 Installing the batteries

1. Open the battery door.
2. Insert 2 x AAA alkaline batteries into the camera.



3. Close the battery door.

5.2 Inserting a memory card (not included)

This camera has no built-in internal memory. The memory can be gained with a micro SD memory card (not included).

Follow the instructions below to insert the optional micro SD memory card into the camera.

1. Turn off the camera first.
2. Open the battery door (please make sure the battery door was unlocked before open).
3. Insert the micro SD card into the camera.

Note: There is only one right direction to insert the micro SD memory card into the slot. Do not force the card into the memory card-slot, it may damage both the camera and the micro SD memory card.

Note: The micro SD memory card must be formatted before taking photographs. See the following sections for more information.



5.3 Formatting the memory or micro SD card

1. Press the Menu button (⏏) in PHOTO or VIDEO mode.
2. Select the setup mode by pressing the Right button.
3. Select the format icon by pressing the W(↘) button and press the Shutter button to confirm.
4. Press the Shutter button to format the SD memory card.

5.4 Setting the resolution

The camera can be set to different resolutions.

1. Press the Menu button (⏏) in PHOTO mode, select the resolutions icon by the W(↘) key and press the Shutter to confirm.
Resolutions: VGA (640 x 480), 3M (2048 x 1536),
5M (2592x1944); 10M (3648x2736);
14M(4320x3240)
2. Five different resolutions will be displayed. Select the desired resolution by using the Up or Down button and press the Shutter button to confirm the selection.

5.5 Taking photographs

1. Turn on the camera.
 2. Depending on the distance to the object being photographed, use macro switch to adjust the distance. Select the flower symbol (🌸) if you wish to take a close-up photograph (11cm – 18 cm).
If you wish to take a video or a photograph of surroundings or people (0.5m – infinity), set the macro switch to normal mode (📷).
 3. If you are not sure if there is enough lighting, turn on the automatic flash (📷) by pressing the Flash button. (If the battery power is too low, the flash won't be activated).
 4. Use the LCD screen to aim at the object you wish to take photographs of.
 5. Press the Shutter button and wait until the LCD display turns on again.
- Caution:** 1) Taking pictures for fast-moving object is not recommended.
2) Image may be distorted when taking pictures in a moving vehicle.

5.6 Zoom in and out

The camera can zoom in up to 5 times.

Zoom in or out by pressing the Up or Down button, a number will appear on the display, 5.x is the maximum zoom ratio.

5.7 Self-photographing using the small monitor

If you want to take a photo of yourself, you can simply use the small monitor LCD screen. Follow the steps below:

1. Press the LCD switch button to switch to the small monitor.
2. Use the small monitor as a viewfinder to aim at yourself.
3. Press the Shutter button to take the photo of yourself.

5.7 Self-timer setting

You can also use the self-timer function when you take a photograph of yourself or when you take a photograph without flash of an object. To avoid shaking of the camera a tripod is recommended.

1. Set the camera to photo mode.

2. Press the Menu button (⏏). The menu will appear.
3. Press the W(↘) button to select Self Timer and confirm by pressing the SHUTTER button.
4. Press the W(↘) button to select the "On" option set the protect setting for the
5. Press the Shutter button to confirm. The self-timer function is now ready for use.
6. Aim at the object you wish to take photos of.
7. Press the Shutter button to take a photograph.
8. The photo will be taken after the timer reaches the delay time of 10 seconds. The camera will beep during the delay time.

5.8 Recording video clips

1. Press the Mode button to select the video clip mode (📹).
2. For setting the resolution, Press the Menu (⏏) button and select Resolution, then press the Shutter button to confirm. Two resolutions will be displayed.
VGA (640 x 480), QVGA (320 x 240).
3. Press the Shutter button to start recording videos, press the right button to pause and press the Shutter button again to stop recording. The video clip will now be saved as an AVI file in the camera memory.

5.9 Playback photographs

The camera provides two options for playback: a) Single b) Thumbnail

1. Press the Playback (▶) button to get into Playback mode.
2. The last picture or video clip taken will be displayed. Press the W(↘) to get into the thumbnail mode. Press the Left /Right /Up /Down button to select the desired picture, and press the Shutter button to view.
3. In full screen display, press the T(⤴) button to zoom in the photo.
4. To shift the image in zoom-in mode, press the Shutter button and then use the Mode/Menu/Left/Right buttons.
5. Press the Menu (⏏) button in Playback mode, press again and hold the Menu button until the menu options displayed. Select SLIDE SHOW and set up the desired slide show way. Press the Shutter button to confirm. The pictures saved in the micro SD card will be displayed in sequence automatically. To stop slide show, press the Menu button.
6. Press the Menu (⏏) button in Playback mode, press again and hold the menu button until the menu options displayed. Select Photo Effect and press the SHUTTER button. Select the desired effect by pressing the up/down button and press the shutter button to confirm. The image will be saved as a separate image.

5.10 Protecting photographs/videos

You can prevent the photographs/videos in the micro SD card from accidental erasure.

Follow the instructions below to protect photographs/videos.

1. Press the Playback (▶) button to get into Photo playback mode.
2. Press the Left or Right button to select the photograph/video clip to be protected.
3. Press the Menu (⏏) button in Playback mode, press it again and hold the Menu button until the menu options displayed. Select Protect and press the Shutter button
4. Select "Protect single" or "All" and press the Shutter button to confirm.

5.11 Resizing photographs

A captured image can be resized to a smaller size and saved as a separate image.

Follow the instructions below to resize photographs.

1. Press the Playback (▶) button to get into Photo playback mode.
2. Press the Left or Right button to select the photograph/video clip to be resized.
3. Press the Menu (⏏) button in Playback mode, press it again and hold the Menu button until the menu options displayed. Select Resize and press the Shutter button
4. Select the new size and press the Shutter button to conform. The image will be saved as a separate image.

5.12 Playback video clips

1. When video clips are displayed, press the Up button to start playing the video and press the Up button again to pause the playback.
2. Press the Right button to fast forward or press the Left button to rewind.
3. Press the Mode button to stop and exit.

5.13 Deleting photographs and video clips

You can delete a single photograph / video clip, or delete all the photographs / video clips in the memory.

Follow the instructions below to delete photographs/videos.

1. Press the (▶) button to enter the playback mode.
2. Press the Left or Right button to select the photograph/video clip to be deleted.
3. Press the Menu/Delete button (🗑) and select "Delete This Image(Video)" or "All".
4. Press the Shutter button to confirm.
5. Press the Menu button to exit.

NOTE: Select "All" and Press the Shutter button to confirm, all the pictures and videos will be

deleted.

Photos that are protected from accidental erasure cannot be deleted. To delete photos, set photos to unprotect mode (Section 5.10), and then follow the file delete procedure.

6. Connecting to a PC

The unit can be connected to the computer as mass storage device and transfer photo/video files for storage.

7. Specifications

Sensor	16.0 Mega pixel CMOS sensor
Image resolution	16.0 Mega pixel: (4608x3456) (16:9)
	14.0 Mega pixels: (4320x3240)
	10.0 Mega pixels: (3648x2736)
	5.0 Mega pixels: (2592x1944)
	3.0 Mega pixels: (2048x1536)
VGA: (640x480)	
Lens	F/2.8 f = 8.5mm
Focus range	0.5m. ~ Infinity
Macro mode	11cm – 18cm
Digital zoom	5x
Flash strobe	Built-in (Auto / force / off)
LCD display	2.7+1.8" TFT color display
White balance	Auto / Daylight / Cloudy / Fluorescent / Tungsten
Video mode	30fps@720 / 30fps@VGA / 30fps@QVGA with micro SD card
External memory card	Supports SD cards up to 32GB
File format	Picture: JPEG, Video: AVI
Self timer	10 seconds
PC interface	USB 2.0
Power source	2 x AAA alkaline batteries

8. System requirement

Operating system	WinXP (SP3), Vista32/64 Win7 32/64 and Mac OS X 10.6.8 or above
CPU	Pentium III or above
RAM	At least 64MB
Interface	USB port
CD	4x speed CD ROM or above

9. Troubleshooting

Problem	Cause	Solution
Cannot turn on the camera	Low battery power. Battery placed at wrong polarities.	Replace or install the battery correctly.
Photos can not be saved when taking pictures.	The memory card hasn't been formatted properly.	Format the memory in setup mode of the camera. Please refer to section 5.3.
Cannot find removable disk after connecting the camera to the computer.	Connection failure.	Make sure all cable connections are secured and restart the computer if necessary.
Flash does not work.	Battery power is too low.	Replace with new 2 x AAA alkaline batteries
The batteries used up very fast.	Incorrect or old, used up, battery	Replace with new 2 x AAA alkaline batteries
The photos are blurry	1. The camera is not held steadily 2. The lens of camera is dirty.	1. Hold the camera steadily until it beeps when taking video photo. 2. Clean the lens with soft dry cloth.



For EU only

AM-TDCAQ4-GB-STD-1