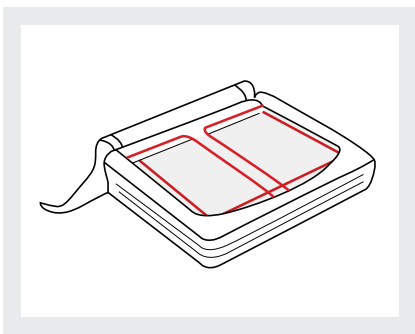


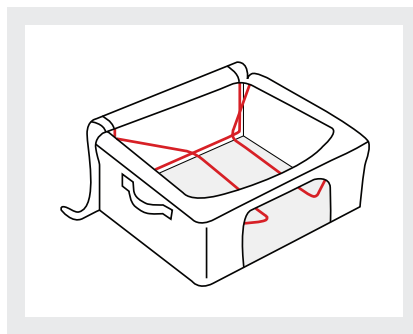
Periea™ Organisers

HOW TO ASSEMBLE



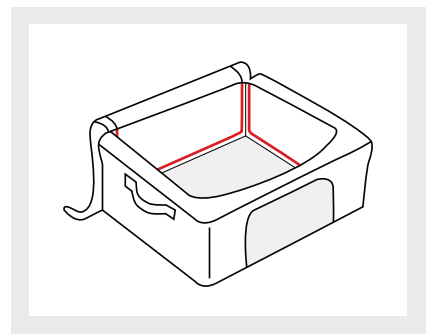
Step 1

Unzip and pull back the lid of the storage organizer.



Step 2

Open up the organizer to fit the rods into place.



Step 3

Pull down the metal rods to reinforce the sides of the organizer.

Use a damp cloth to clean. Air out the brand new PVC in a well ventilated room for up to 24 hours, if required.

Made in China

WARNING: To avoid danger of suffocation, keep this plastic bag away from babies and children. This bag is not a toy.