



cook's essentials®



# Owner's Manual

Electric BBQ Grill Model: CM-GR103SA

FOR HOUSEHOLD USE ONLY



# Index

Topic	Page
Important Safeguards .....	1 - 3
Parts & Accessories .....	4 - 5
Assembly Instructions .....	6 - 11
Using the Temperature Control .....	12
General Operating Instructions .....	13
Cleaning & Storage .....	13 - 14
Troubleshooting .....	15

### For California Residents



**WARNING:** This product can expose you to chemicals including Bisphenol A which are known to the State of California to cause reproductive harm, birth defects or cancer. For more information go to [www.P65Warnings.ca.gov](http://www.P65Warnings.ca.gov)

**Before you begin...** It is very important that you read this entire manual making certain that you are totally familiar with its operation and precautions.

# Important Safeguards

When using electrical appliances, basic safety precautions should always be followed, including the following:

- **READ AND FOLLOW** all instructions carefully and thoroughly, before assembly, installation, use or service.
- **DO NOT TOUCH HOT SURFACES** such as the Lid, Bowl and Cooking Grill. Use handles or knobs ...wear oven mitts when handling hot components or touching hot surfaces.
- **TO PROTECT AGAINST** fire, electric shock or personal injury, do not immerse unit, cord, plug, heating element or temperature control in water or any other liquids. Do not rinse under tap.
- **CLOSE SUPERVISION** is necessary when any appliance is used by or near children.
- **THIS APPLIANCE IS NOT INTENDED** for use by persons with reduced physical, sensory, or mental capabilities, or lack of experience and knowledge, unless they are under the supervision of a responsible person or have been given proper instruction in using the appliance. This appliance is not intended for use by children.
- **ALWAYS UNPLUG FROM OUTLET** when not in use and before cleaning. Allow to cool completely before putting on or taking off parts.
- **DO NOT** operate any appliance with a damaged cord or plug, or after the appliance malfunctions or has been damaged in any manner. Return appliance to the nearest authorized service facility for examination, repair or adjustment.
- **THE USE OF ACCESSORY ATTACHMENTS** not recommended by the appliance manufacturer may cause injuries.
- **DO NOT** use any replacement parts not provided by the appliance manufacturer. Use only identical replacement parts.
- **THIS PRODUCT** is intended for household use only, and is suitable for outdoor use.
- **DO NOT** let power cord hang over edge of table or counter, or touch hot surfaces.
- **DO NOT** place on or near a hot gas or electric burner, or in a heated oven.
- **EXTREME CAUTION** must be used when moving an appliance, hot racks, pans and other cooking vessels containing hot oil or other hot liquids.
- **ALWAYS ATTACH** the Temperature Control to the appliance first, then plug cord into the wall outlet. To disconnect, turn any control to “off”, then remove plug from wall outlet.
- **DO NOT** use appliance for other than its intended use.
- **SAVE THESE INSTRUCTIONS.**
- **USE ONLY** manufacturer designation temperature-controlling probe or plug set supplied with the product. Use only DCT-001C Dachang Hardware and Electronics Technology Co. Ltd. temperature controlling plug.
- **RISK OF ELECTRIC SHOCK.** Cook only when unit completely assembled, and all parts are securely fastened and tightened.
- **KEEP THE** barbecue and electric controller dry at all times. Keep electric plugs off the ground and dry at all times.
- **DO NOT** use in humid or wet conditions.
- **ONLY USE A PROPERLY-GROUNDED** power source; use with a properly-grounded Ground-fault circuit-interrupter (GFCI) household circuit.
- **NEVER** alter or remove grounding plugs on the power cord or replacement information.
- **IN CASE OF FIRE,** turn the controller to “off”, unplug the barbecue from the power source and allow the fire to burn out on its own. Do not use water to try to extinguish a fire.
- **KEEP THE APPLIANCE** and its power cord out of the reach of children when it is in operation or in the “cooling down” process. Do not place cord where it may become a tripping hazard.
- **DO NOT** plug in the power cord or operate the Unit controls with wet hands.
- **NEVER CONNECT THIS APPLIANCE** to an external timer switch or separate remote-control system.

## Important Safeguards...

- **DO NOT USE** fuel, such as charcoal or lava rocks with this appliance. Do not use barbecue lighter fluid, gasoline, kerosene or alcohol with this barbecue.
- **DO NOT OPERATE THE APPLIANCE** on or near combustible materials such as tablecloths and curtains. Do not use in the presence of explosive or flammable gases, vapors or other substances.
- **KEEP ANY COMBUSTIBLE** materials at least 3 feet away from the grill at all times. Do not use this barbecue under any overhang or near combustible structures.
- **WHEN COOKING**, do not place the appliance against a wall or against other appliances. Leave at least 6" free space on the back and sides and above the appliance. Do not place anything on top of the appliance.

## WARNING

- Do not store or use gasoline or any other flammable vapors or liquids in the vicinity of this appliance.
- When cooking with oil or grease, do not allow the oil or grease to exceed 480°F/250°C on the grill. Do not store extra cooking oils in the vicinity of this appliance.
- A short power-supply cord (or detachable power-supply cord) should be used to reduce the risk resulting from becoming entangled in or tripping over a longer cord.
- Longer detachable power-supply cords or extension cords are available and may be used if care is exercised in their use.
- If a longer detachable power-supply cord or extension cord is used:
  - 1) The marked electrical rating of the cord set or extension cord should be at least as great as the electrical rating of the appliance; and

- **THIS APPLIANCE IS NOT DESIGNED** for tabletop use. Do not set this appliance on a table.
- **DO NOT USE** this appliance for any purpose other than described in this manual.
- **NEVER** operate the appliance unattended.
- **IMPROPER USE**, assembly, installation, adjustment, service or maintenance can cause serious injury and property damage.
- **FAILURE** to follow instructions could result in electric shock, fire or explosion.
- **AFTER A PERIOD OF STORAGE**, inspect the barbecue for abrasion, wear, cuts, or damage to the controller and power cord.
- **ALWAYS OPEN** the barbecue lid carefully. Heat and steam trapped inside the lid can cause injuries.
- **ALWAYS USE** a meat thermometer to ensure food is cooked to a safe temperature.

- 2) The cord should be arranged so that it will not drape over the countertop or tabletop where it can be pulled on by children or tripped over unintentionally.
- 3) If the appliance is of the grounded type, the extension cord should be a grounding-type 3-wire cord.

CAUTION: To reduce the risk of electric shock, keep the extension cord dry and off the ground.

- The temperature control, thermostat prong side is protected with a detachable silicone jacket for outdoor moisture resistance. **DO NOT** remove this jacket during normal operation, and if found to be broken, replace before use.
- While it is still hot or still connected to the temperature control plug and energized, do not place the heating element on flammable materials such as wood tables.

## Important Safeguards...

### CAUTION

- Always operate the appliance on a horizontal surface that is level, stable and noncombustible. Use caution when operating on wood decks. Do not use in or on boats or recreation vehicles.
- Do not use appliance on floor surfaces where heat or hot grease may cause damage.
- This appliance is intended for normal household use only. It is not intended for use in commercial or retail environments. Suitable for use outdoors.
- If the appliance is used improperly or for professional or semi-professional purposes or if it is not used according to the instructions in the user manual, the warranty becomes invalid and we will not be held liable for damages.

- Always unplug the appliance after use.
- Let the appliance cool completely before handling, removing parts, cleaning or storing indoors.

### ELECTRIC POWER

If the electrical circuit is overloaded with other appliances, your new Unit may not operate properly. It should be operated on a dedicated, separate electrical circuit.

### ELECTROMAGNETIC FIELDS (EMF)

This appliance complies with all standards regarding electromagnetic fields (EMF). If handled properly and according to the instructions in this user manual, the appliance is safe to use based on scientific evidence available today.

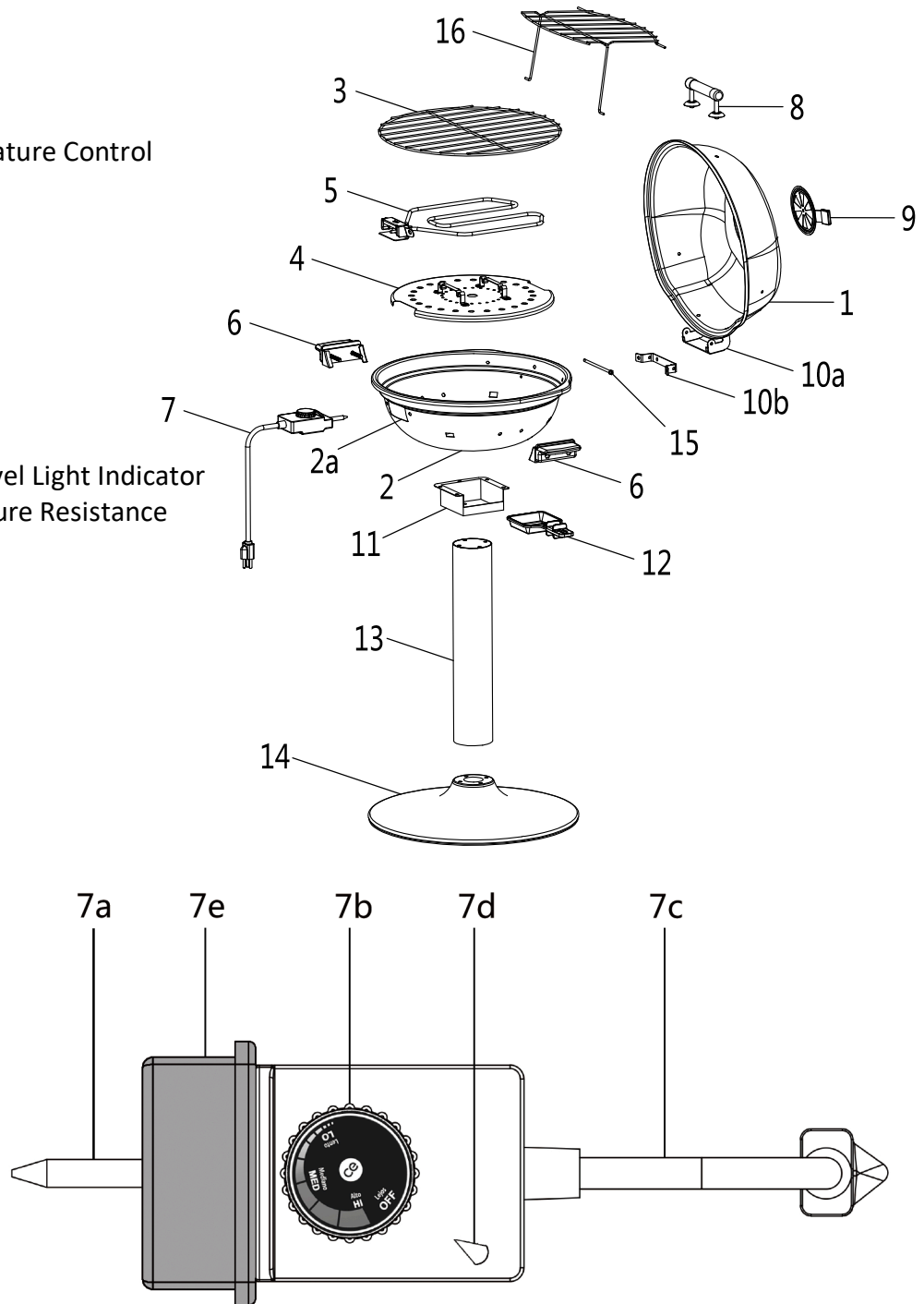
**SAVE THESE INSTRUCTIONS. FOR HOUSEHOLD USE ONLY.**

# Electric Barbecue Grill Parts

**IMPORTANT:** Your Electric Barbecue Grill has been shipped with the components shown below. Check everything carefully before assembly or use. If any part is missing or damaged do not use this product and contact shipper using the customer service number located in the back of this owner's manual.

## PRODUCT DIAGRAM

















1. Lid
2. Bowl
  - a. Opening for the Temperature Control
3. Cooking Grill
4. Heat Reflector Plate
5. Heating Element
6. Bowl Handle (x2)
7. Temperature Control
  - a. Thermostat Prong
  - b. Dial
  - c. Wall Plug
  - d. Off and Temperature Level Light Indicator
  - e. Silicone Jacket for Moisture Resistance
8. Lid Handle
9. Air Vent
10. Hinge Bracket
  - a. Upper
  - b. Lower
11. Connection Part
12. Drip Tray
13. Pillar
14. Base
15. Locking Pin M5\*123
16. Foldable Warming Rack



**See Hardware Components and Assembly Instructions below.**

# Electric Barbecue Grill Parts...

## HARDWARE COMPONENTS (Screws, Nuts, Washers)

- |   |   |   |
|---|---|---|
| 17. Small Screw M5*12 (7 pcs)                             |  |  |
| 18. Medium Screw M6*20 (13 pcs)                           |  |  |
| 19. Long Screw M6*45 (4 pcs)<br>(Affixed to Bowl Handles) |  |  |
| 20. Small Wing Nut M5 (6 pcs)                             |  |  |
| 21. Large Wing Nut M6 (11 pcs)                            |  |  |
| 22. Lock Washer (27 pcs)                                  |  |  |
| 23. Flat Washer (27 pcs)                                  |  |  |
| 24. Flat Nut M5 (2 pcs)                                   |  |  |

**Note:** Hand tools such as a cross-head screw driver, pliers, and/or a small spanner may be required for assembly. Wear protective gloves during assembly.

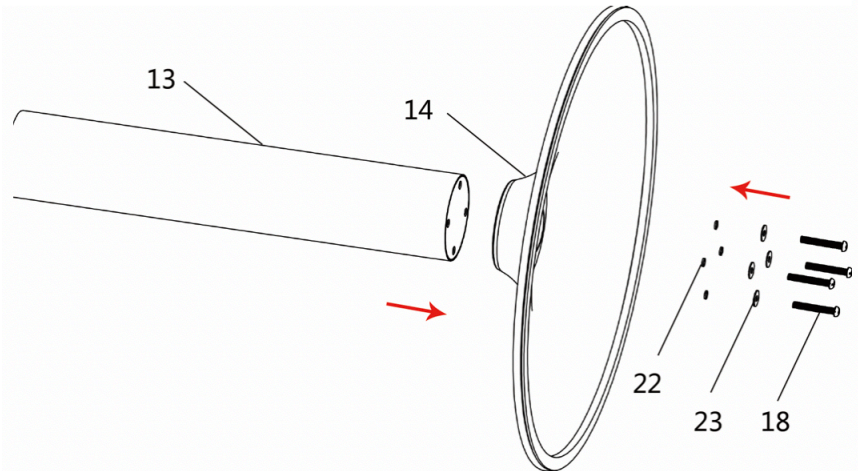
# Assembly Instructions

**NOTE:** In each step described below, tighten all connections by hand first. Once assembly is complete, tighten all connections fully.

## Step 1 – Attach Pillar (part #13) to Base (part #14)

Hardware: M6\*20 medium screws (part #18) – 4 pcs  
flat washers (part #23) – 4 pcs  
lock washers (part #22) – 4 pcs

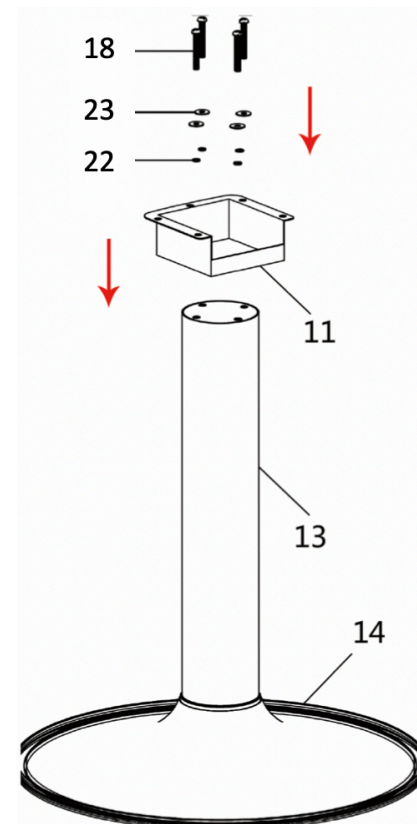
Locate the Pillar and the Base. Set aside four (4) M6\*20 medium screws, four (4) lock washers and four (4) flat washers. Place a lock washer and then a flat washer on each screw. Put the Pillar on the Base as shown below, and align the holes. From the underside of the Base, screw the Base to the Pillar using the lock washers, flat washers and medium screws.



## Step 2 - Connection Part (part #11)

Hardware: M6\*20 medium screws (part #18) – 4 pcs  
flat washers (part #23) – 4 pcs  
lock washers (part #22) – 4 pcs

Place the Base on flat ground. Locate the Connection Part. Set aside four (4) M6\*20 medium screws, four (4) lock washers and four (4) flat washers. Place a lock washer and then a flat washer on each screw. Put the Connection Part on the Pillar as shown here, and align the holes. Screw the Connection Part to the Pillar using the lock washers, flat washers and medium screws.

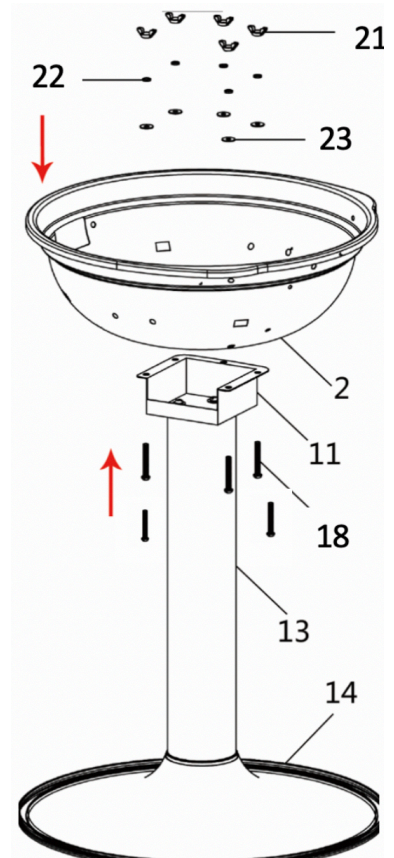


## Assembly Instructions...

### Step 3 – Attach the Bowl (part #2)

Hardware: M6 large wing nuts (part #21) – 5 pcs  
M6\*20 medium screws (part #18) – 5 pcs  
flat washers (part #23) – 5 pcs  
lock washers (part #22) – 5 pcs

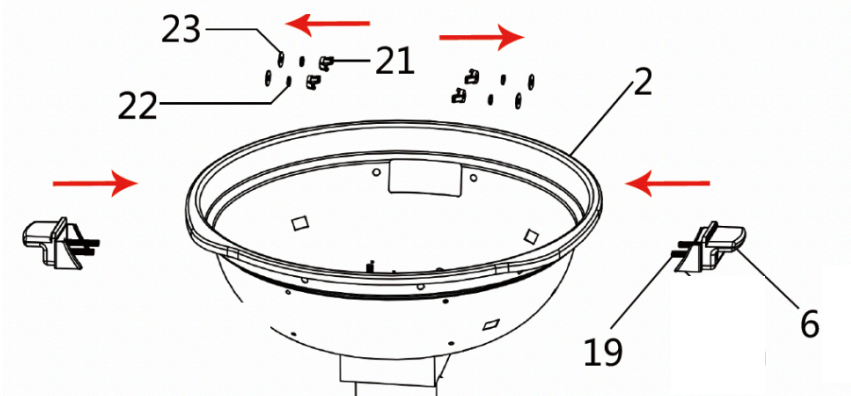
Ensure the assembled Base is on flat ground. Locate the Bowl. Set aside five (5) M6 large wing nuts, five (5) M6\*20 medium screws, five (5) lock washers and five (5) flat washers. Place the Bowl on top of the Connection Part as shown below, and align the five (5) holes. Insert a medium screw up from the underside of the Connection Part through the Bowl. From inside the Bowl, place a flat washer then lock washer on each screw and affix using the medium wing nut.



### Step 4 - Bowl Handles (part #6) with M6\*45 long screws (part #19)

Hardware: M6 large wing nuts (part #21) – 4 pcs  
flat washers (part #23) – 4 pcs  
lock washers (part #22) – 4 pcs

Locate the two (2) Bowl Handles. For each Bowl Handle with M6\*45 long screws, set aside two (2) flat washers, two (2) lock washers, and two (2) M6 large wing nuts. Place the screw ends of each Bowl Handle through the holes on the sides of the Bowl, as shown below. From inside the Bowl, place a flat washer, then lock washer on each screw and affix using the large wing nuts.

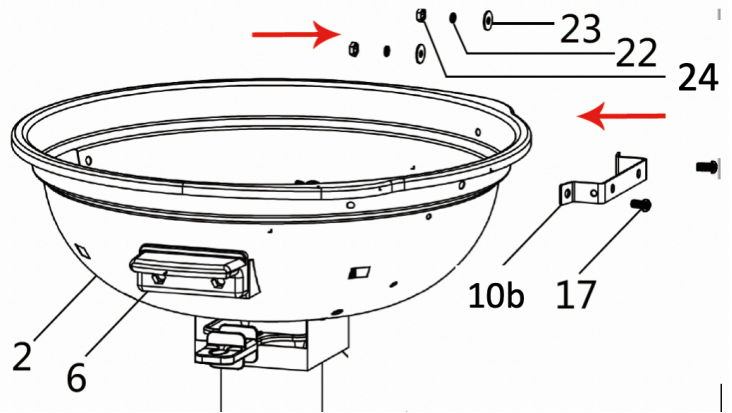


## Assembly Instructions...

### Step 5 – Lower Hinge Bracket (part #10b)

Hardware: M5\*12 small screws (part #17) – 2 pcs  
flat washers (part #23) – 2 pcs  
lock washers (part #22) – 2 pcs  
flat nuts (part #24) – 2 pcs

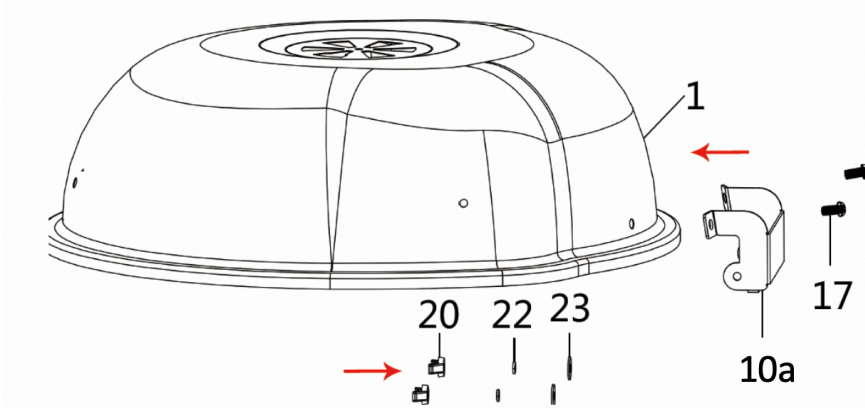
Locate the Lower Hinge Bracket. Set aside two (2) M5\*12 small screws, two (2) flat washers, two (2) lock washers and two (2) flat nuts. Place the Lower Hinge Bracket on the Bowl as shown here, and align the holes. Note the 'Up' marking on the Lower Hinge Bracket. Through each hole, insert a small screw from the outside of the Lower Hinge Bracket through the Bowl. From inside the Bowl, place a flat washer, then lock washer on each screw and affix using the flat nuts.



### Step 6 – Attach Upper Hinge Bracket (part #10a) to the Lid (part #1)

Hardware: M5 small wing nuts (part #20) – 2 pcs  
M5\*12 small screws (part #17) – 2 pcs  
flat washers (part #23) – 2 pcs  
lock washers (part #22) – 2 pcs

Locate the Lid and the Upper Hinge Bracket. Set aside two (2) M5\*12 small screws, two (2) flat washers, two (2) lock washers and the two (2) small wing nuts. Place the Upper Hinge Bracket on the Lid as shown below (on the side opposite the Cook's Essentials logo), and align the holes. Through each hole, insert a small screw from the outside of the Upper Hinge Bracket through the Lid. From inside the Lid, place a flat washer, then lock washer on each screw and affix using the small wing nuts.

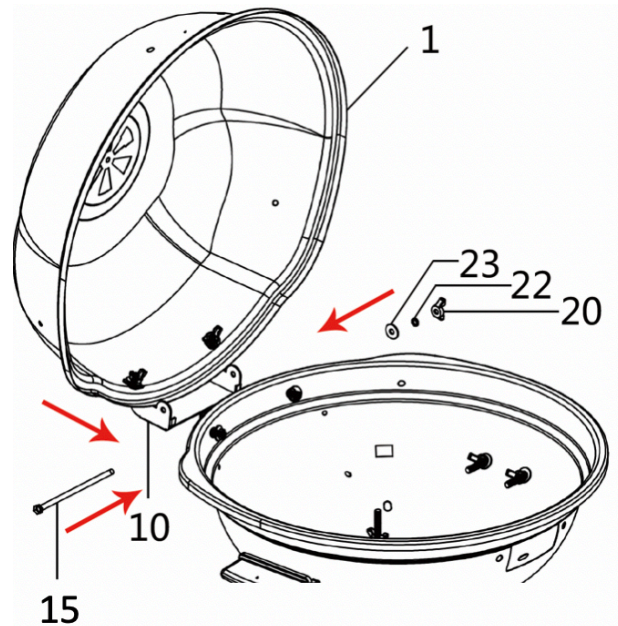


## Assembly Instructions...

### Step 7 – M5\*123 Locking Pin (part #15)

Hardware: M5 small wing nut (part #20) – 1 pc  
flat washer (part #23) – 1 pc  
lock washer (part #22) – 1 pc

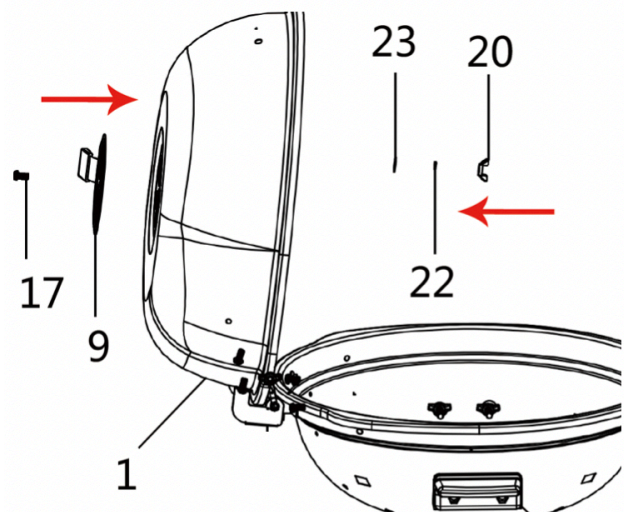
Locate the M5\*123 Locking Pin, and set aside one (1) flat washer, one (1) lock washer, and one (1) M5 small wing nut. Place the Lid on the Bowl as shown here, so the Lower Hinge Bracket sits inside the Upper Hinge Bracket, and align the holes. Screw the Locking Pin through all four (4) holes of the Hinge Brackets. From the other end, place a flat washer, then lock washer on the Locking Pin and affix using the small wing nut.



### Step 8 – Air Vent (part #9)

Hardware: M5\*12 small screw (part #17) – 1 pc  
M5 small wing nut (part #20) – 1 pc  
flat washer (part #23) – 1 pc  
lock washer (part #22) – 1 pc

Locate the Air Vent, and set aside one (1) M5\*12 small screw, one (1) flat washer, one (1) lock washer, and one (1) M5 small wing nut. Place the Air Vent on the outer middle of the Lid as shown here, and align the holes. Put the small screw from the outside through the center of the Lid. From inside the Lid, place a flat washer then lock washer on the screw and affix using the small wing nut.

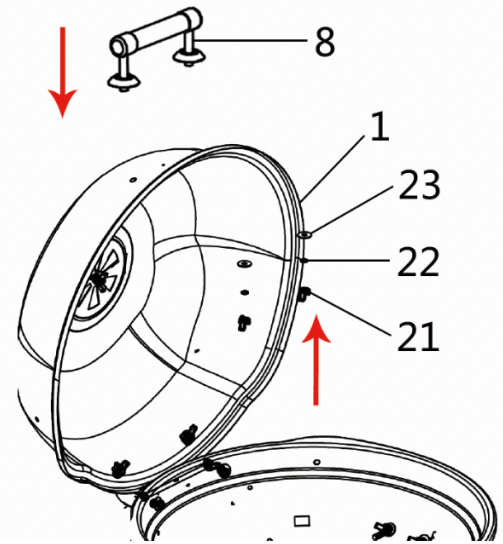


## Assembly Instructions...

### Step 9 – Lid Handle (part #8)

Hardware: M6 large wing nuts (part #21) – 2 pcs  
flat washers (part #23) – 2 pcs  
lock washers (part #22) – 2 pcs

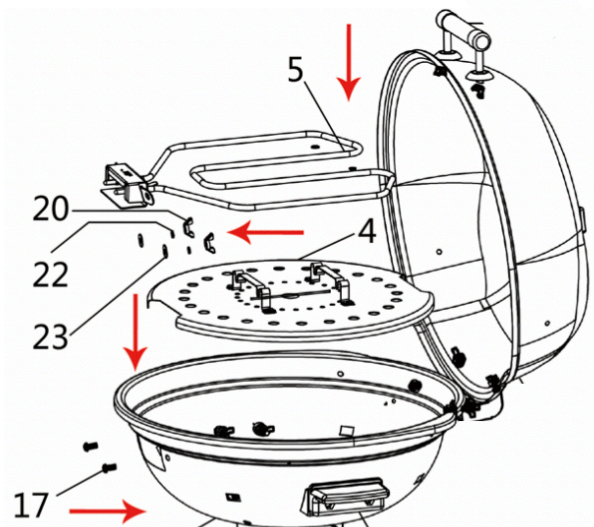
Locate the Lid Handle and remove the cardboard from the Handle screws, careful not to let the short tube and washer come off, Set aside two (2) M6 large wing nuts, two (2) flat washers, and two (2) lock washers. With the Lid open, place the screw ends of the Lid Handle (with short tube and washer) through the holes on the outside of the Lid as shown here. From inside the Lid, place a flat washer and lock washer on each screw and affix using the large wing nuts.



### Step 10 – Heat Reflector Plate (part #4) and Heating Element (part #5)

Hardware: M5\*12 small screws (part #17) – 2 pcs  
M5 small wing nuts (part #20) – 2 pcs  
flat washers (part #23) – 2 pcs  
lock washers (part #22) - 2 pcs

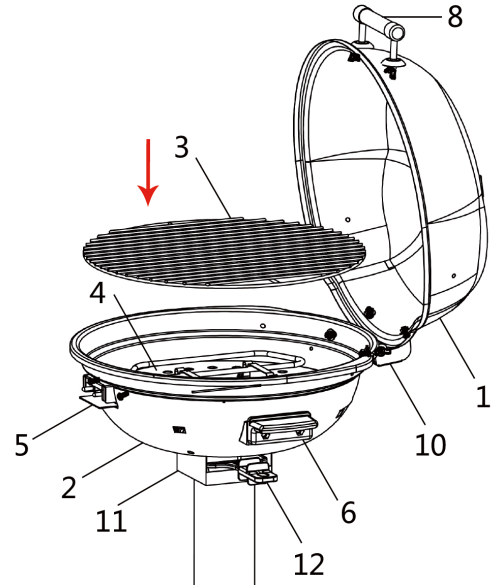
Locate the Heat Reflector Plate and the Heating Element. Set aside two (2) M5\*12 small screws, two (2) M5 small wing nuts, two (2) flat washers, and two (2) lock washers. Place the Heat Reflector Plate into the Bowl with the metal bands facing up and parallel to the front of the Grill, as shown below. Then, place the Heating Element on top of the Heat Reflector Plate. Make sure the 'Top' of the Heating Element box is facing up and fits through the rectangular hole at the front center of the Bowl. Insert the small screws from outside the Bowl through the holes on each side of the Heating Element box. From inside the Bowl, place a flat washer then lock washer on each screw and affix the Heating Element to the Bowl using the small wing nuts. See Step 11 for final placement of Heating components.



# Assembly Instructions...

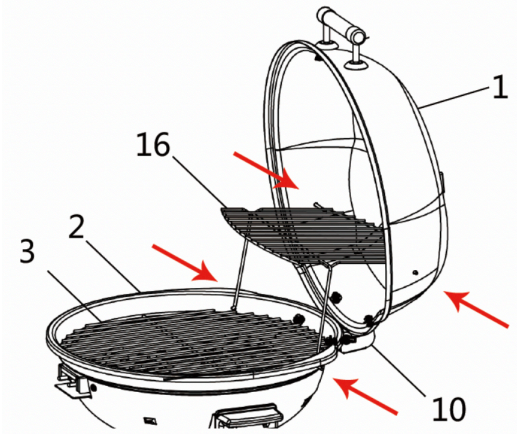
## Step 11 – Cooking Grill (part #3)

Locate the Cooking Grill and place in the Bowl on top of the Heating Element, as shown here.



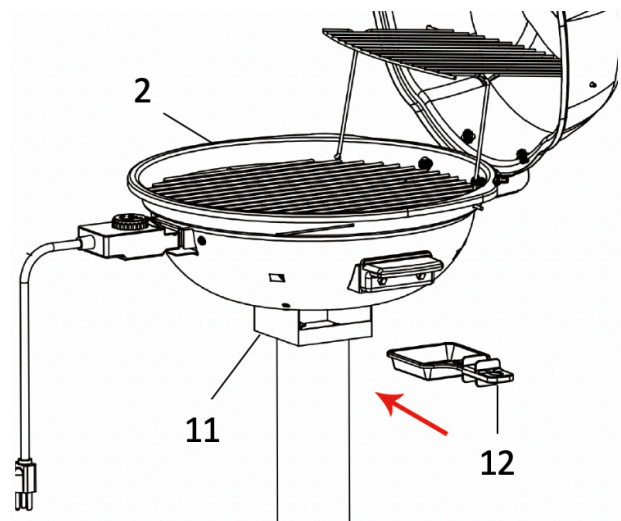
## Step 12 – Foldable Warming Rack (part #16)

Locate the Foldable Warming Rack and unfold the legs. Insert the Foldable Warming Rack by placing the four (4) prongs into the side holes of the Lid and Bowl, as shown here.



## Step 13 – Drip Tray (part #12)

Locate the Drip Tray and insert in the Connection Part, as shown here.



# Using the Temperature Control

## Powering Up the Barbecue

1. Make sure the OFF symbol on the Temperature Control Dial (part #7b) is fully turned to the light Indicator location. (Fig. 1, page 12). The light should not be illuminated.

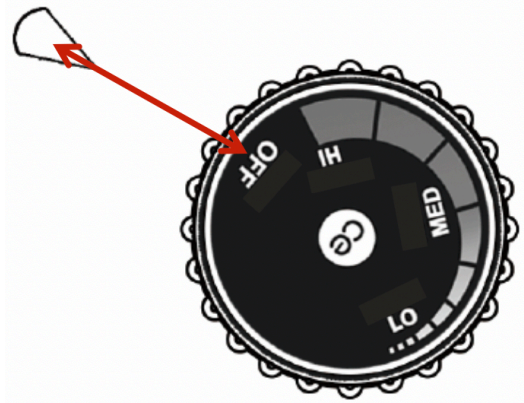


Fig. 1

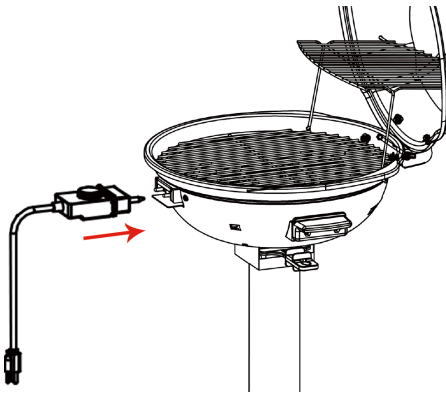


Fig. 2

2. Insert the Temperature Control Thermostat Prong (part #7a) with the Temperature Control Dial facing up, into the Opening for the Temperature Control (part #2a) at the front of the unit just below the rim of the Bowl. (Fig. 2, page 12). Push in all the way to be sure it is making full contact.

**Hint:** The tip of the Temperature Control Thermostat Prong should be above the nearby punch hole on the Heat Reflector Plate when it is fully inserted. (Fig. 3, page 12).

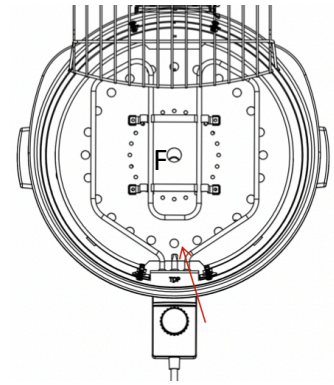


Fig. 3

3. Plug the Temperature Control Wall Plug (part #7c) into a dry ground-fault circuit-interrupter (GFCI) power outlet.  
**WARNING:** Using an extension cord is NOT recommended. If an extension cord is absolutely necessary, carefully follow the instructions in the Important Safeguards on page 2.
4. Adjust the setting on the Temperature Control Dial to desired temperature level. (Fig. 1, page 12). Settings on the Temperature Control are indicated by temperature marks on the circular dial, including the 'OFF' position marking. The light indicator will illuminate while the unit is heating, and will switch on and off during the cooking cycle. The unit is usually packed with the Temperature Dial set to the "OFF" position.

## Turning Off the Barbecue

1. Turn the Temperature Control Dial to the 'OFF' position.
2. Unplug the power cord from the wall outlet.
3. Once the Barbecue has cooled down, unplug the Temperature Control from the Barbecue.

# General Operating Instructions

## Before using the Electric Barbecue Grill for the first time...

Remove all packaging materials from the exterior and interior of the Barbecue Grill.

Follow all assembly instructions.

Before cooking any food on this appliance, operate the grill for about 15 minutes with the lid closed and the power turned to "HIGH". This will 'heat clean' the internal parts and dissipate odors from the manufacturing process.

## Using Your Electric Barbecue Grill

1. While the Grill is in off, spray with a non-stick cooking spray.
2. Set Temperature Control to the desired level and allow temperature to be reached.
3. Place food on Cooking Grill.
4. With Lid open or closed, cook until desired internal temperature is reached. Use heat-proof, non-scratch utensils to remove food from Cooking Grill.

**CAUTION: Lid is NOT intended to be locked while cooking.**

**WARNING:** Do NOT touch hot surfaces. Use handles or knobs ...wear oven mitts when handling hot components or touching hot surfaces.

## Cleaning and Care

### CAUTION:

1. After using, turn the Temperature Control Dial to the 'OFF' position and unplug the power cord from the power source. Allow the Barbecue to cool completely, then unplug the Temperature Control from the Barbecue Grill and remove the Heating Element before cleaning.
2. All cleaning and maintenance should only be performed when the Barbecue Grill is cold to the touch and only when the power supply is disconnected.
3. Do not use water or any other liquid spray to clean the Barbecue Grill while it is still plugged in.
4. Do not clean any parts in a self-cleaning oven or dishwasher. The extreme heat will damage the finish.
5. **NEVER** immerse the Heater Element or Temperature Control Plug, Prong or Cord set in water.

**Note:** Do NOT use abrasive cleaning agents on this appliance. They will damage the finish. Never use oven cleaner on this product.

## Cleaning and Care...

### Cleaning Outsides of Appliance and Cooking Grill

1. Remove the power cord from the wall socket and be certain the appliance is thoroughly cooled before cleaning the appliance.
2. Remove the Temperature Control from the appliance before cleaning, and set aside.
3. Remove the Cooking Grill.
4. Remove the Heating Element before cleaning by unscrewing the wing nuts and lifting the element out, and putting it and the wing nuts aside.
5. Wipe surface grime off the appliance, including the Lid top, Bowl, Cooking Grill and Heat Reflector Plate with a clean damp cloth, using mild dishwashing detergent or baking soda.
6. For stubborn surface dirt, use a citrus-based degreaser and a nylon scrubbing brush.
7. Rinse clean with a damp cloth.
8. Allow surface to dry fully before use.

### Cleaning the Heating Element

1. Once the Heating Element is completely cool and has been removed as outlined above, gently clean the Heating Element with a damp cloth.  
**CAUTION:** Do not scratch the element's surface or immerse in water.  
Avoid impact to connection pins while cleaning as this may damage the contacts inside.
2. When fully dry, reinstall the Heating Element.
3. Inspect the Temperature Control and Power Cord for any possible damage, and then re-install.

### Cleaning the Temperature Control

1. If cleaning is required, once the Temperature Control is completely cool and has been removed from the appliance, gently wipe with a damp cloth.
2. Dry thoroughly.  
**CAUTION:** Do not immerse in water.

### Cleaning the Drip Tray

1. Once the Barbecue Grill is completely cool, remove the Drip Tray and empty the contents.
2. Wash with warm soapy water.
3. Rinse, and dry thoroughly.

### Storage

1. Unplug the appliance and let it cool down thoroughly.
2. Make sure all components are clean and dry.
3. Place the appliance in a clean, dry place.

### Environment

Dispose of all unwanted appliances according to local environmental regulations. Preserve the planet.

# Troubleshooting

PROBLEM	POSSIBLE CAUSE	SOLUTION
<b>The Barbecue Grill does not work.</b>	The appliance is not plugged in.	Plug power cord into wall socket.
	The appliance is not turned on. The Temperature Control Prong is not inserted properly into the Heating Element's Front Bracket.	Re-insert the Temperature Control Prong into the Heating Element's Front Bracket. Turn the Temperature Dial to the desired temperature.
	Temperature Control Prong failure.	Replace the Temperature Control.
<b>Food is not cooked/overcooked.</b>	The temperature setting needs adjusting.	Adjust the Temperature Control Dial.
<b>Smoke or an unpleasant smell is coming from the unit.</b>	The Cooking Grill, Heat Reflector Plate or Drip Tray may need cleaning.	Clean Cooking Grill, Heat Reflector Plate or Drip Tray.

## Is it possible to shut off the Unit at any time?

At any time, the unit can be turned off by turning the Temperature Control Dial to the 'OFF' position and unplugging the power cord from the wall outlet.



cook's essentials®

### Electric Barbecue Grill

Should you have any problem, our friendly customer service staff is here to help you.  
1-866-533-1184.