



MARKET TOTE

INSULATED, FOLDABLE TOTE

INSULATED, FOLDABLE MARKET TOTE

The Market Tote is foldable so that it can be kept in your handbag or briefcase for easy accessibility. When expanded, it forms a large, durable, lightweight tote that can be used to carry groceries, books, cosmetics and other sundries.

The insulated Market Tote features an exterior accessory pocket and carry handles that can also be used over the shoulder.

LEAK PROOF LINING

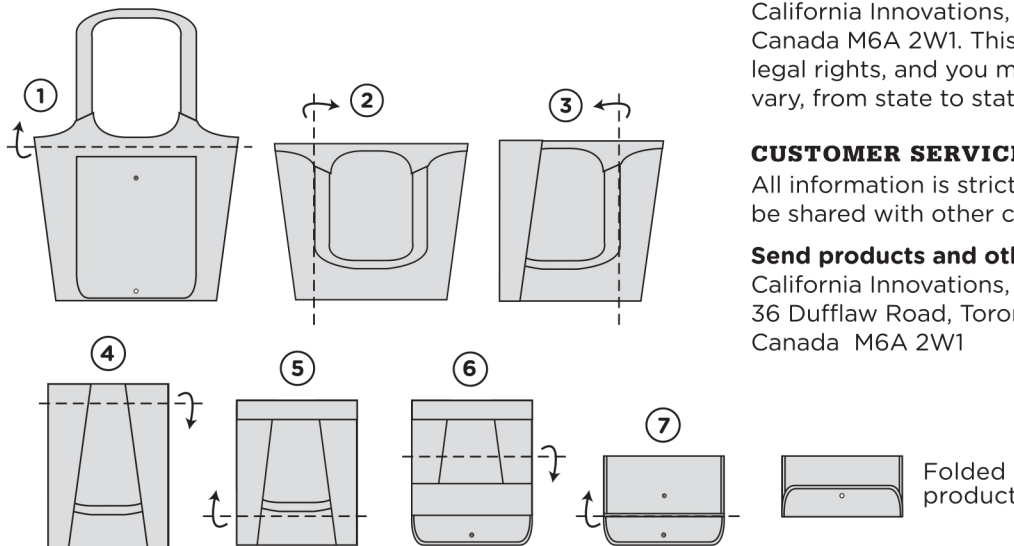
The tote features an Ultra Safe® leak proof, easy clean lining with Microban® protection. If the tote is tipped over, liquids may leak through the zipper.

EASY TO CLEAN

Both the interior and exterior of this product can be easily cleaned with a damp cloth. Hang to dry.

TO FOLD:

1. Lay product flat with pocket facing downwards
2. Fold side in towards the middle
3. Fold other side in towards the middle
4. Fold top from just above the pocket in towards the middle
5. Fold bottom in towards the middle
6. Fold top one more time so that the snap closure is visible
7. Fold flap in towards the middle to snap closed



GETTING THE MOST FROM YOUR INSULATED MARKET TOTE

- There are many variables that can affect the length of time food or beverages will stay cold. These include the ambient air temperature, the temperature of the contents at the time of packing, the volume of contents packed, and the amount and/or type of ice or ice packs used.
- The tote may be used with or without an ice pack or ice substitute; however an ice pack or ice substitute will extend the amount of time food stays cold or frozen.
- Ice packs or ice substitutes with a lower freezing point are preferable because they minimize the amount of condensation that can occur on the bottom of your tote (i.e. dampness that is caused by cold air from the tote meeting the hotter ambient air). Ice packs or ice substitutes can also focus the cold better than loose ice cubes.
- The fuller your tote is with food, the longer the contents will stay cold. In performance tests, a tote that was fully packed produced optimal results.
- The colder the contents are when placed inside the tote, the longer cold will be retained.
- As warm air rises and cool air falls, place ice, ice packs or ice substitutes on top of contents for best cooling results.
- When traveling you may substitute ice cubes in resealable plastic bags for ice packs/ice substitutes.

LIMITED LIFETIME WARRANTY

This warranty covers any defects in workmanship or material that arise during the normal lifetime of the product. Any problem that is caused by abuse or negligence is not covered. Normal wear and colour fading are not covered. Consequential damages are not covered. Some states or provinces do not allow the exclusion or limitation of incidental or consequential damages, so the above limitation or exclusion may not apply to you. We will repair or replace, at our discretion, any product that proves to be defective in materials or workmanship at no charge to you. Simply mail your defective product to California Innovations, 36 Dufflaw Rd., Toronto, Canada M6A 2W1. This warranty gives you specific legal rights, and you may also have other rights, which vary, from state to state or province to province.

CUSTOMER SERVICE

All information is strictly confidential and will not be shared with other companies.

Send products and other correspondence to:

California Innovations, Inc.
36 Dufflaw Road, Toronto, Ontario
Canada M6A 2W1

**Customer service
toll free number:**
1-888-413-2665