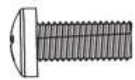
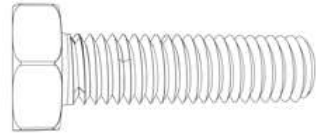


# ASSEMBLY INSTRUCTIONS



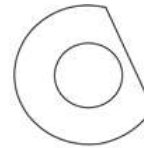
**(A)**  
Phillips Screw  
Qty-16



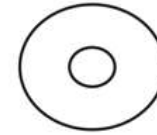
**(B)**  
M10 X 30  
Qty-2



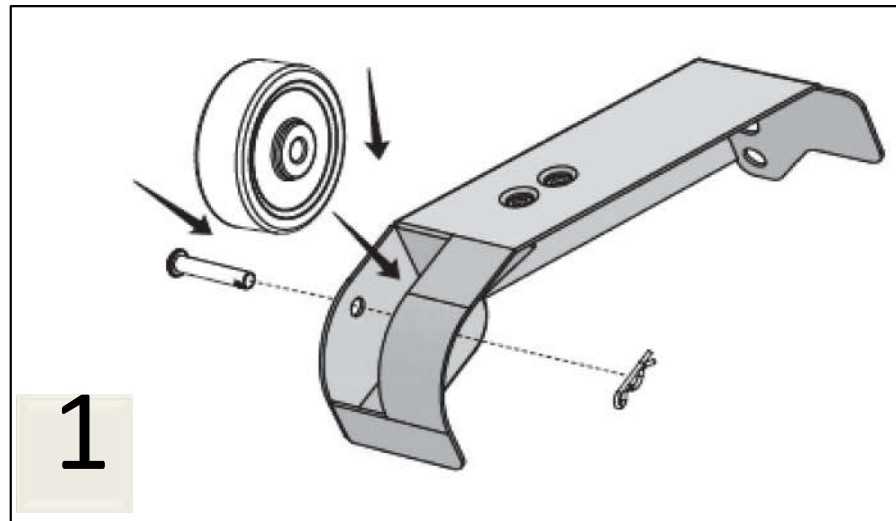
**(C)**  
Nut  
Qty-16



**(D)**  
Washer  
Qty-4



**(F)**  
Washer  
Qty-10



# ASSEMBLY INSTRUCTIONS – CONT'D

