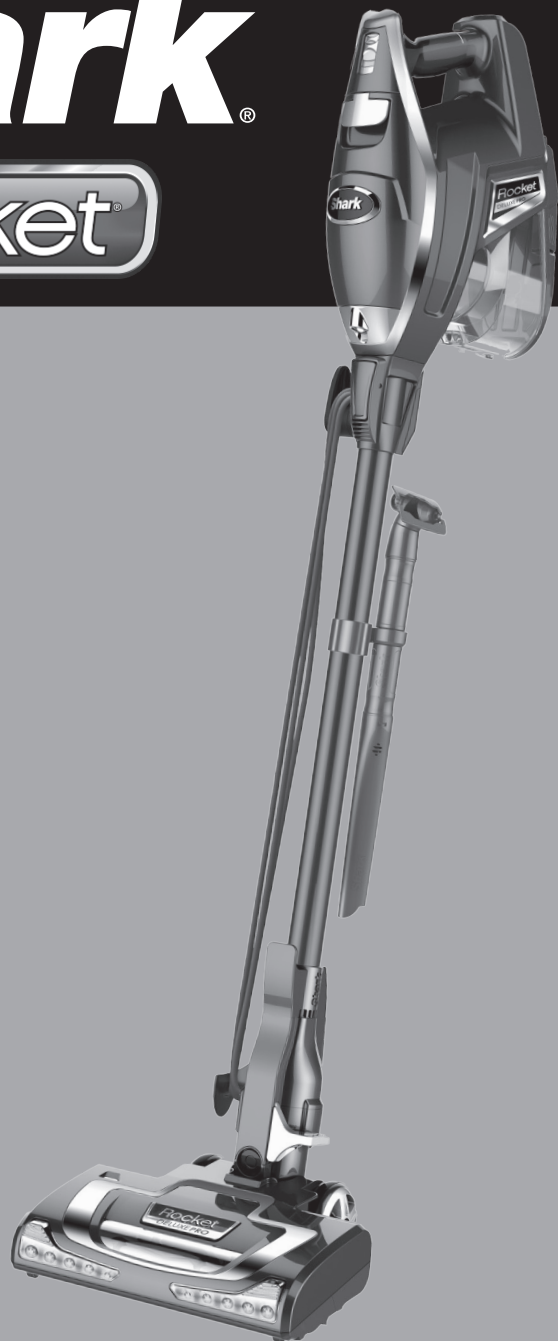


Shark®

Rocket®

Model/Modèle/Modelo
HV324Q



www.sharkrocket.com



1.800.798.7398

Thank you for purchasing the
Shark® Rocket®
Ultra-Light Upright.

TECHNICAL SPECIFICATIONS:

Voltage: 120V., 60Hz
Watts: 500W
Amps: 4.2 A

Contents

Important Safeguards	3
Getting to know your Shark® Rocket® Ultra-Light Vacuum	4
Assembly.....	5
Storage.....	5
Using the Motorized Floor Nozzle.....	6
Using the Dust-Away™.....	6
Above Floor Cleaning	7
Accessories	8
Maintenance.....	9
Trouble-Shooting Guide	10
Warranty	10

Table des matières

Consignes de sécurité importantes	11
Familiarisation de votre aspirateur vertical Rocket ^{MD} Ultra-Léger de Shark ^{MD}	12
Assemblage.....	13
Rangement.....	13
Utilisation de la buse de plancher motorisé.....	14
Utilisation d’outil Dust-Away ^{MC}	14
Nettoyage au delà du sol.....	15
Accessoires	16
Entretien.....	17
Guide de dépannage.....	18
Garantie.....	18

Índice de contenidos

Medidas importantes de seguridad.....	19
Conocer su aspiradora Shark® Rocket® Ultra-Light.....	20
Montaje.....	21
Almacenamiento	21
Usando la boquilla para pisos motorizado.....	22
Usando la herramienta Dust-Away™.....	22
Para limpiar por encima del piso	23
Accesorios.....	24
Mantenimiento.....	25
Guía de diagnóstico de problemas	26
Garantía.....	26

Merci d’avoir acheté
l’aspirateur vertical
Rocket^{MD} Ultra-Léger de
Shark^{MD}.

SPÉCIFICATIONS TECHNIQUES :

Tension : 120V., 60Hz
Watts : 500W
Ampères : 4,2 A

Gracias por haber comprado la
aspiradora vertical **Shark®**
Rocket® Ultra-Light.

ESPECIFICACIONES TÉCNICAS:

Voltaje: 120V., 60Hz
Potencia: 500W
Amperes: 4.2 A

IMPORTANT SAFEGUARDS

When using an electrical appliance, basic safety precautions should always be observed, including the following:

WARNING

TO REDUCE THE RISK OF FIRE, ELECTRIC SHOCK OR INJURY:

- 1** DO NOT use outdoors or on wet surfaces.
- 2** Unplug from electrical outlet when not in use and before servicing.
- 3** DO NOT use vacuum cleaner with a damaged cord or plug. If vacuum cleaner is not working as it should, has been dropped, damaged, left outdoors, or dropped into water, return it to SharkNinja Operating LLC for examination, repair, or adjustment.
- 4** DO NOT pull or carry vacuum cleaner by the cord or use the cord as a handle.
- 5** DO NOT unplug by pulling on cord; to unplug, grasp the plug, not the cord.
- 6** DO NOT handle plug or vacuum cleaner with wet hands.
- 7** DO NOT run the vacuum cleaner over the power cord, close a door on the cord or pull cord around sharp corners.
- 8** The use of an extension cord is not recommended.
- 9** DO NOT leave vacuum cleaner when plugged in.
- 10** Keep cord away from heated surfaces.
- 11** Turn off all controls before plugging or unplugging the vacuum cleaner.
- 12** Always turn off the vacuum cleaner before connecting or disconnecting motorized nozzle.
- 13** Store vacuum cleaner with the power cord secured around the two cord holders - as shown in the STORAGE section.
- 14** This vacuum does NOT stand upright on its own.

GENERAL USE

- 15** Use only as described in this manual.
- 16** DO NOT put any objects into openings. DO NOT use with any opening blocked; keep free of dust, lint, hair, and anything that may reduce airflow.
- 17** Keep your work area well lit.
- 18** Keep the vacuum cleaner moving over the carpet surface at all times to avoid damaging the carpet fibers.
- 19** DO NOT place vacuum cleaner on unstable surfaces such as chairs or tables.
- 20** DO NOT allow young children to operate the vacuum cleaner or use as a toy. Close attention is necessary when used near children.

- 21** DO NOT use without dust cup and/or filters in place.

WAND ATTACHMENTS

- 22** DO NOT use if airflow is restricted; if air paths, wand, or accessories become blocked, turn the vacuum cleaner off. Remove all obstructions before you turn on the unit again.
- 23** Keep the end of the wand and accessory openings away from face and body.
- 24** Keep cleaning tools and wand suction openings away from hair, face, fingers, uncovered feet, or loose clothing.
- 25** Use only manufacturer’s recommended attachments.

DUST CUP/FILTERS/ACCESSORIES

Before turning on the vacuum:

- 26** Make sure all filters are thoroughly dry after routine cleaning.
- 27** Make sure dust cup and all filters are in place after routine maintenance. Refer to MAINTENANCE section for filter cleaning instructions.
- 28** Make sure accessories are free of blockages.
- 29** Use only filters and accessories provided by SharkNinja Operating LLC. [Failure to do so will void the warranty.]

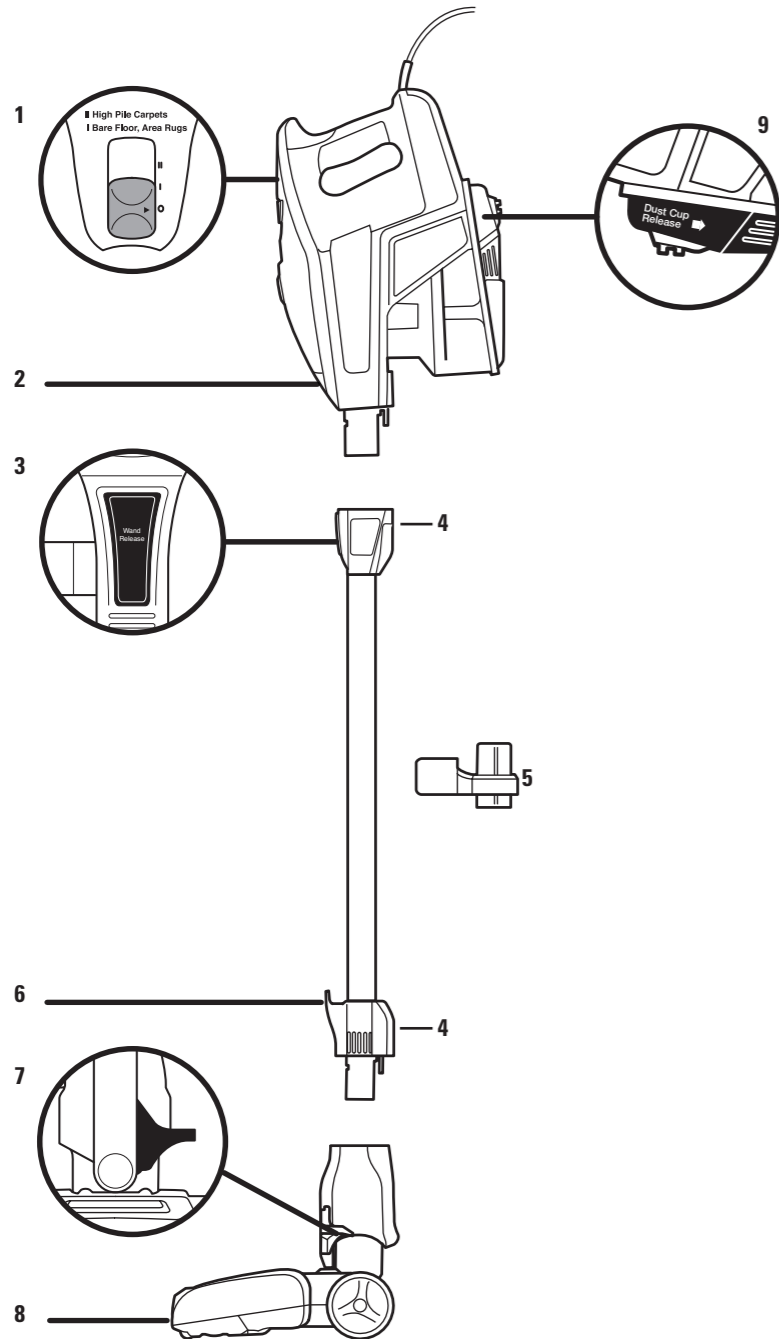
GENERAL CLEANING

- 30** DO NOT pick up large-sized objects.
- 31** DO NOT pick up hard or sharp objects such as glass, nails, screws, or coins that could damage the vacuum cleaner.
- 32** DO NOT pick up smoking or burning objects such as hot coals, cigarette butts, matches or fireplace ash. DO NOT pick up drywall dust.
- 33** DO NOT pick up flammable or combustible materials such as lighter fluid, gasoline, or kerosene or use vacuum in areas where they may be present.
- 34** DO NOT pick up toxic solutions such as chlorine bleach, ammonia, or drain cleaner.
- 35** DO NOT use in an enclosed space where vapors are present from paint, paint thinner, moth-proofing substances, flammable dust, or other explosive or toxic materials.
- 36** DO NOT vacuum up any liquids.
- 37** DO NOT immerse vacuum cleaner in water or other liquids.
- 38** DO NOT use outdoors or on wet surfaces; use only on dry surfaces.
- 39** Use extra care when cleaning on stairs.

SAVE THESE INSTRUCTIONS

POLARIZED PLUG

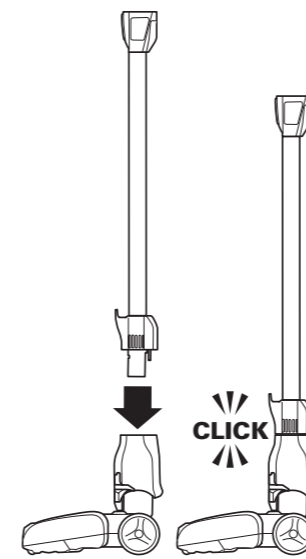
To reduce the risk of electric shock, this vacuum cleaner has a polarized plug (one blade is wider than the other). As a safety feature, this plug will fit into a polarized outlet only one way. If the plug does not fit fully into the outlet, reverse the plug. If it still does not fit, contact a qualified electrician. DO NOT force into outlet or try to modify to fit.



MAIN UNIT

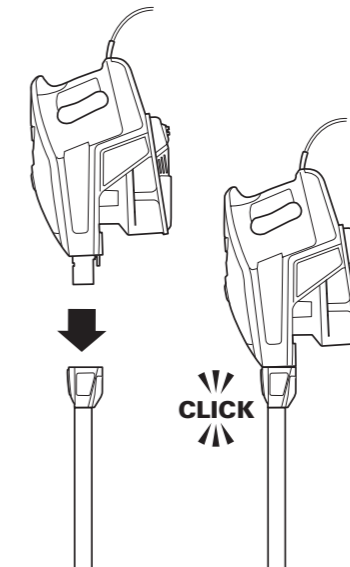
- 1 Power/LO/HI Switch
- 2 LED Light
- 3 Wand Release
- 4 Cord Hooks (not visible)
- 5 On-Board Tool Clip
- 6 Hand Vac Storage Hook
- 7 Floor Nozzle Release Pedal
- 8 Headlights
- 9 Dust Cup Release

STEP 1



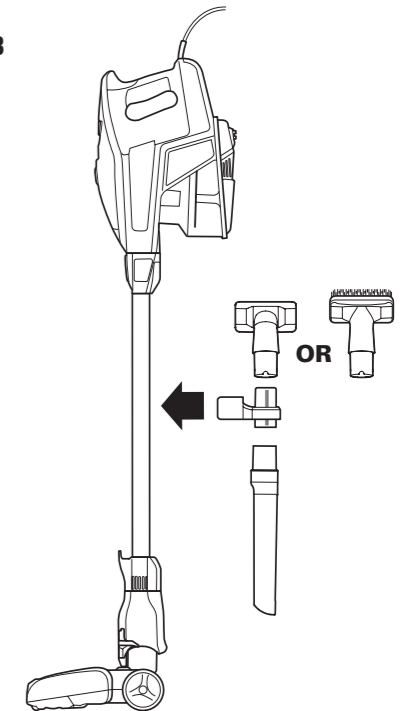
- 1 Insert the wand into the floor nozzle connector until you hear a "click".

STEP 2



- 2 Insert the handheld portion into the top of the wand until you hear a "click".

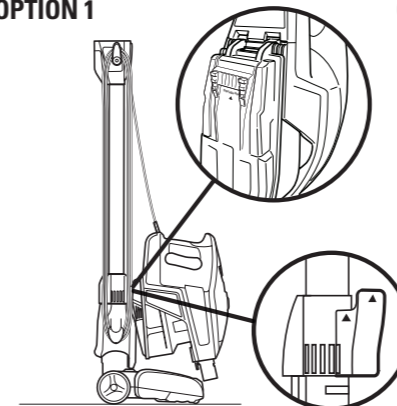
STEP 3



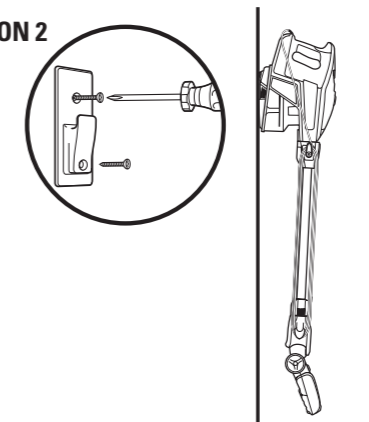
- 3 This vacuum comes with a detachable clip to store up to 2 accessories on board. Snap clip on to the wand. Store one accessory on top holder and one accessory on bottom holder.

STORAGE

OPTION 1



OPTION 2



Recommended ways to store vacuum.

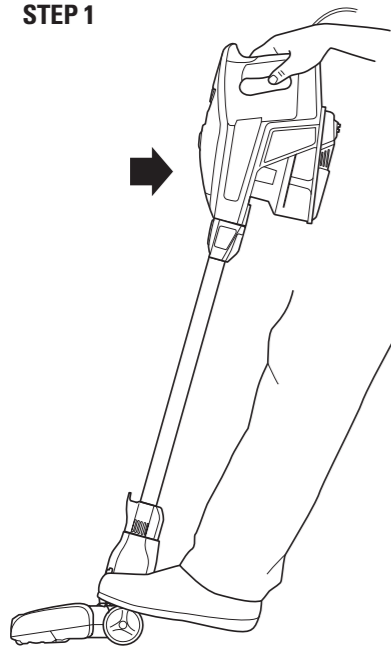
OPTION 1: Press the WAND RELEASE button on the top of the wand to release the handheld vacuum. There is a catch on the bottom of the handheld vacuum. Hang it from the hook located on the bottom portion of the wand. Wrap the cord around the two cord hooks.

OPTION 2: Use the wall mount that is included. Drill two 5/16" holes and insert plastic anchors provided into the wall. Using a Philips head screwdriver, screw the wall mount into the plastic anchors. There is a catch on the bottom of the handheld vacuum. Hook it onto wall mount.

USING THE MOTORIZED FLOOR NOZZLE

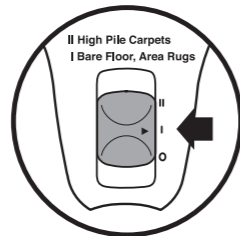
This vacuum has a 2-speed POWER slider switch, optimized for bare floor, delicate area rug and carpet cleaning. The floor nozzle has headlights that illuminate the floor surface. The lights turn on in either speed setting.

STEP 1



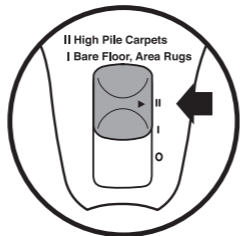
1 Plug the unit in and pull it back.

STEP 2



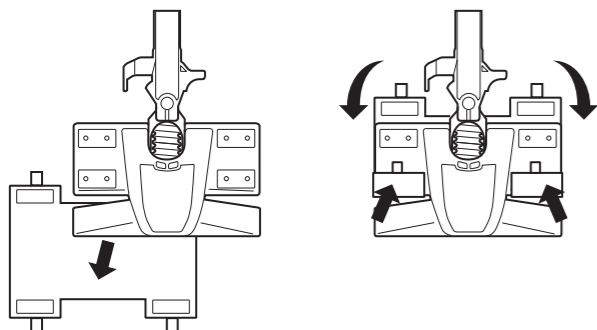
2 Slide the POWER switch to the first position to clean bare floor surfaces and delicate area rugs. The brush roll will spin slowly to help with debris pick-up.

STEP 3



3 Slide the POWER switch to the second position to clean carpets. The brush roll will spin faster to help pick up debris below the surface.

USING THE DUST-AWAY™ HARD FLOOR ATTACHMENT



- 1 Slip two tabs between the nozzle and the duster base and attach them to the front fasteners. Then pull the other two tabs tightly around to the back fasteners. Ensure that the pad is flat against the bottom surface and tightly secured.
- 2 Slide the POWER switch to the first position and use the Dust-Away™ Hard Floor Attachment to clean hard floor surfaces. Do not use to clean damp floors or wet/sticky messes. Only use pads provided by Shark®, which are designed to work with the Dust-Away™ Hard Floor Attachment.

MICROFIBER PAD CARE

Machine or hand wash the pads separately in warm water with liquid detergent. Do not use bleach or fabric softeners as they may damage or leave a coating that will reduce the cleaning performance of the pads. Tumble dry low or line dry to extend the life of the microfiber fabric. For best results, we recommend replacing your microfiber pads every 3 to 4 months.

NOTE: This vacuum does not stand up on its own, so when taking a break, rest it against furniture, on the wall, or lay it flat on the floor.

ABOVE FLOOR CLEANING

This vacuum has the reach to clean above floors or in tight spaces by using the wand. It's also a convenient handheld vacuum when using it without the wand.

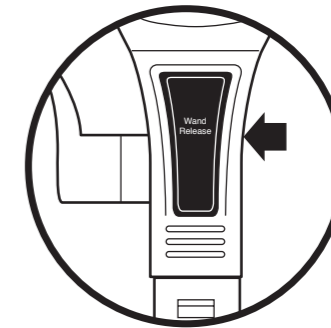
STEP 1



1 Stand the vacuum upright. Step on the foot pedal and pull the wand up to disconnect from the floor nozzle. Attach desired cleaning accessory.

NOTE: Both power settings provide the same suction power.

STEP 2



2 Press the WAND RELEASE button on the top of the wand to disconnect it from the handheld portion. Attach desired cleaning accessory. The LED light in the handheld vacuum turns on automatically when the power is on.

TIP: You can attach the handheld vacuum directly to the floor nozzle for convenient cleaning on stairs.

Videos of helpful tips on how to use accessories can be found in the Support section on www.sharkrocket.com

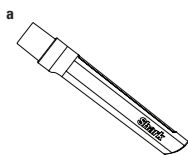
ACCESSORIES

Select cleaning accessories are included. For a list of what is included with this model, refer to the Quick Start Guide.

CREVICE TOOLS

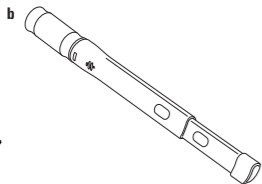
a - 12" Crevice Tool

Clean in between tight spaces or reach baseboards and ceilings with this slim crevice tool. (163FLIHV3)



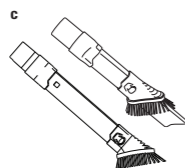
b - 18" Flexible Crevice Tool

Extend and flex to an 18" length to access corners, baseboards, tight spaces or ceilings. The rubberized tip prevents scratches on surfaces. (228FFJV300)



c - Duster Crevice

Two cleaning tools in one. The crevice tool gives you extended cleaning reach for small spaces, while the dusting brush cleans a multitude of surfaces. (164FLIHV3)



DUSTING BRUSHES

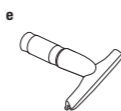
d - Upholstery Tool

Perfect for grabbing pet hair and lint from furniture and other upholstered surfaces. (166FLIHV3)



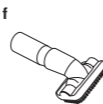
e - Wide Upholstery Tool

Perfect for grabbing pet hair and lint from furniture, mattresses and other upholstered surfaces. (165FLIHV3)



f - Dusting Brush

Great for dusting a multitude of surfaces such as shelves, tables, baseboards, window/door frames, and much more. Turn the brush head to adjust the angle to the surface you're cleaning. (229FFJV300)



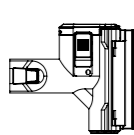
Multi-Angle Dusting Brush

5-position soft dusting brush for cleaning shelves (straight out/downward orientation), blinds, walls, ceiling fans and lights (upward and downward orientation). Adjust the angle of this brush to the desired cleaning surface. (137FLIV300)



TruePet™ Motorized Brush

The power of a full size upright in the palm of your hand. Picks up pet hair, loose debris, and powerfully cleans dander out of upholstery and surfaces. (168FLV322B)



Pet Multi Tool

Two cleaning tools in one. The stiff bristle brush gets stuck-on debris off a multitude of surfaces. Remove the bristles to reveal an upholstery tool for removing stubborn pet hair from upholstery and more. (1126FT323)



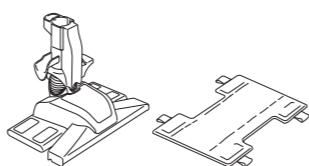
Flexible Hose

Stretch and flex this extension hose to clean around objects and get into hard to reach spaces. Attach the crevice tool or another accessory depending on what you are cleaning. (290FFJ321)



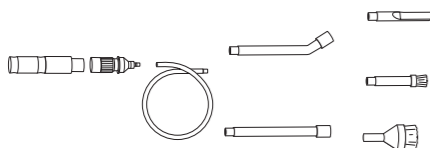
Dust-Away™ Hard Floor Attachment with Washable Microfiber Pad

Direct suction for big crumbs and debris while microfiber pad dusts hard wood and tile floors. (XHFGV321, P200W)



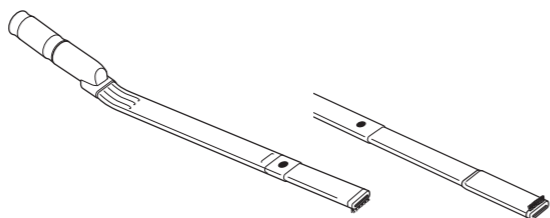
Home and Car Detail Kit

Extension wands and micro tools to clean the tightest spaces. (XCDV300)



Appliance Wand

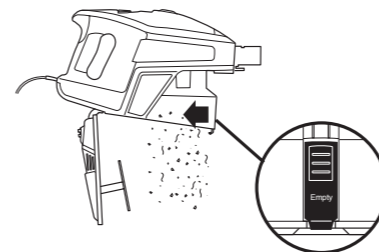
Clean under and behind hard to move appliances and furniture with this adjustable 36" tool. Flip the extension piece over to clean the underside of appliances. (138FLIV300)



MAINTENANCE

To keep your vacuum's suction power optimal, follow these instructions.

Make sure unit is off and cord unplugged.

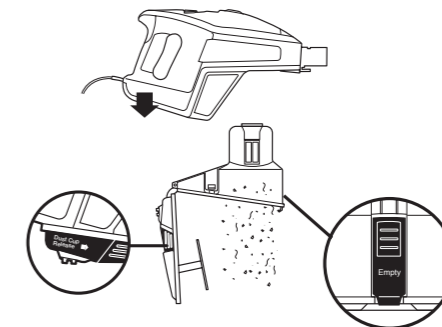


EMPTY THE DUST CUP

- 1 Press the WAND RELEASE button on the top of the wand to disconnect it from the handheld portion.

OR

Remove the dust cup from the handheld vacuum by squeezing the two DUST CUP RELEASE buttons on both sides of the base at the same time and pulling it out.

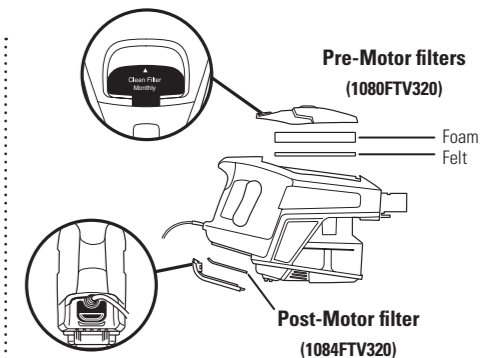


- 2 Hold dust cup over a trash bin and press the EMPTY button on the front of the dust cup. The bottom lid will open, allowing the debris to fall out.

NOTE: Clean the dust screen inside the dust cup as required.

- 3 Once dust cup is empty, close the bottom lid and insert dust cup back into handheld and you will hear it click into place.

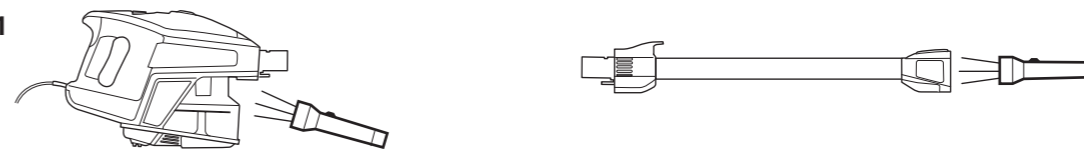
NOTE: Empty dust cup when debris reaches the MAX fill line.



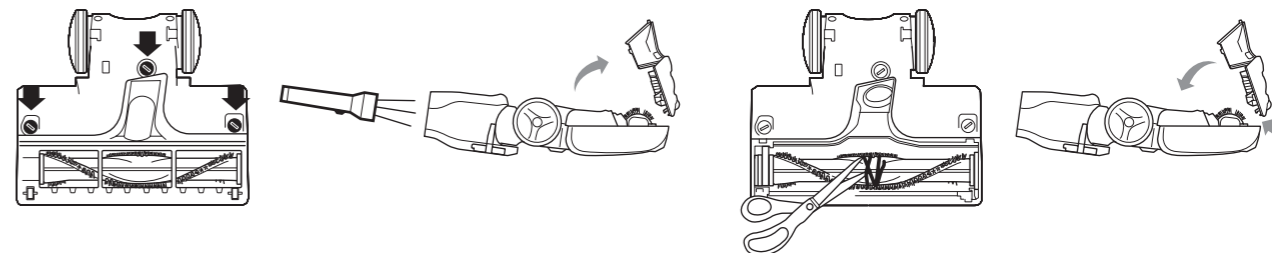
CLEAN THE FILTERS

- 1 Access the Pre-Motor foam and felt filters by lifting the latch on the top of the handheld vacuum. Remove and hand wash them every month. Let air dry completely before replacing. Tap loose dirt off filters between washes as needed. Insert the felt filter first and then place the foam filter on top of it.
- 2 Access the Post-Motor filter under the handle. Remove and hand wash once a year. Let air dry completely before replacing.

STEP 1



STEP 2



TO CHECK FOR BLOCKAGES, REMOVE AND INSPECT: HANDHELD AND WAND

- 1 Remove the wand from the handheld portion and check all dust cup intake openings.
- 2 Remove the floor nozzle from the wand and check the wand for blockages.

BOTTOM OF FLOOR NOZZLE

- 1 Use a coin to unlock the three locks on the bottom of the floor nozzle.
- 2 A portion of the base is removable to allow for better access to the brushroll and exposure to the airway. Shine a flashlight from the bottom to check for possible blockage in the airway.
- 3 Remove any string, carpet fibers or hair that may be wrapped around the brushroll. There is a groove along the brush bar that allows a pair of scissors to cut across it to loosen up the debris.
- 4 To re-assemble, replace base by lining it up along the front of the nozzle. Push down to snap into place until you hear a click. Lock the three locks.

TROUBLE-SHOOTING GUIDE

Vacuum is not picking up dirt. No suction or light suction

- Check filters to see if they need cleaning. Follow instructions for rinsing and drying the filters before re-inserting back into the vacuum.
- Dust cup may be full; empty dust cup.
- Check wand, wand connections, nozzles, and accessories for blockages; clear blockages if required.
- Remove any string, carpet fibers or hair that may be wrapped around the brushroll.

Vacuum lifts area rugs

- Suction is powerful. Take care when vacuuming area rugs or rugs with delicately sewn edges.
- Turn off the unit and disengage the area rug from the brushroll and restart the unit.

Brush roll does not spin

- If brush roll indicator light on the floor nozzle turns red, the brush roll has stopped spinning. Immediately turn off and unplug vacuum, disconnect the nozzle and remove blockage before reconnecting and turning vacuum back on.
- If brush roll indicator light on the floor nozzle is green, the blockage has been successfully cleared. If the light is still red, please contact customer service at 1.800.798.7398.

Vacuum turns off on its own

- This vacuum cleaner is equipped with a motor protective thermostat. If for some reason your vacuum overheats, the thermostat will automatically turn the suction motor off. Should this occur, perform the following steps to restart the thermostat:
 1. Turn the unit off.
 2. Unplug the vacuum.
 3. Empty the dust cup and clean filters (see page previous page)
 4. Check for blockages in wand, accessories and inlet openings.
 5. Allow the unit to cool for a minimum of 45 minutes.
 6. Plug in the vacuum.
 7. Restart the unit by turning the power on.

FIVE-YEAR (5) LIMITED WARRANTY

SharkNinja Operating LLC warrants this product to be free from material defects and workmanship for a period of five (5) years from the date of purchase when utilized for normal household use, subject to the following conditions, exclusions and exceptions.

The liability of SharkNinja Operating LLC is limited solely to the cost of the repair or replacement of the unit at our option. This Limited Warranty does not cover normal wear of parts and does not apply to any unit that has been tampered with or used for commercial purposes. This Limited Warranty does not cover damage caused by misuse, abuse, negligent handling or damage due to faulty packaging or mishandling in transit. This Limited Warranty does not cover damage or defects caused by or resulting from damages from shipping or repairs, service or alteration to the product or any of its parts, which have been performed by a repair person not authorized by SharkNinja Operating LLC.

If your appliance fails to operate properly while in use under normal household conditions within the warranty period, you may return the complete appliance and accessories with proof of purchase and date, freight prepaid. For assistance with warranty service options or customer support, please call our customer care and product specialists at 1-800-798-7398 or visit our website at www.sharkrocket.com.

If the appliance is found by SharkNinja Operating LLC to be defective, in SharkNinja Operating LLC's sole discretion, we will repair or replace it free of charge. Proof of purchase is required and a fee of \$19.95 will apply to cover the cost of return freight.*

Non-durable parts including, without limitation, filters, brushes and electrical parts which normally require replacement are specifically excluded from warranty.

This Limited Warranty is extended to the original purchaser of the unit and excludes all other legal, implied and/or conventional warranties. The responsibility of SharkNinja Operating LLC if any, is limited to the specific obligations expressly assumed by it under the terms of this Limited Warranty. In no event is SharkNinja Operating LLC liable for incidental or consequential damages to anyone of any nature whatsoever. Some states do not permit the exclusion or limitation of incidental or consequential damages, so the above may not apply to you.

This Limited Warranty gives you specific legal rights, and you may also have other rights which vary from state to state or province to province.

*IMPORTANT: Carefully pack item to avoid damage in shipping. Be sure to include proof of purchase date and to attach a tag to item before packing including your name, complete address and phone number with a note giving purchase information, model number and what you believe is the problem with the item. We recommend you insure the package (as damage in shipping is not covered by your warranty). Mark the outside of your package "ATTENTION CUSTOMER SERVICE".

Shark and Rocket are registered trademarks of SharkNinja Operating LLC.
TruePet and Dust-Away are trademarks of SharkNinja Operating LLC.



CONSIGNES DE SÉCURITÉ IMPORTANTES

Lorsque vous utilisez un appareil électrique, des précautions de sécurité de base devraient toujours être suivies, incluant celles qui suivent :



AVERTISSEMENT

POUR RÉDUIRE LE RISQUE D'INCENDIE, DE CHOCS ÉLECTRIQUES OU DE BLESSURES :

- 1 N'UTILISEZ PAS à l'extérieur ou sur des surfaces humides.
- 2 Débranchez l'aspirateur de la prise de courant lorsqu'il n'est pas utilisé et avant tout entretien.
- 3 N'UTILISEZ PAS l'aspirateur si le cordon ou la prise est endommagée. Si l'aspirateur ne fonctionne pas comme il se doit, a été échappé, endommagé, laissé à l'extérieur ou bien échappé dans l'eau, veuillez le retourner à SharkNinja Operating LLC pour une vérification, pour un ajustement ou pour une réparation.
- 4 NE TIREZ PAS ou NE TRANSPORTEZ PAS l'aspirateur par le cordon d'alimentation ou ne l'utilisez pas comme une poignée.
- 5 NE le DÉBRANCHEZ PAS en tirant sur le cordon d'alimentation; pour le débrancher, agrippez la fiche et non le cordon.
- 6 NE MANIPULEZ PAS la fiche d'alimentation électrique ou l'aspirateur avec des mains humides.
- 7 NE PASSEZ PAS l'aspirateur par-dessus le cordon d'alimentation; ne fermez pas une porte sur le cordon ou ne le tirez pas sur des coins pointus.
- 8 L'utilisation d'une rallonge électrique n'est pas recommandée.
- 9 NE LAISSEZ PAS l'appareil sans surveillance lorsqu'il est branché.
- 10 Gardez le cordon éloigné des surfaces chaudes.
- 11 Fermez toutes les commandes avant de brancher ou débrancher l'aspirateur.
- 12 Éteignez toujours l'appareil avant de brancher ou débrancher la brosse motorisée.
- 13 Rangez votre appareil avec le cordon d'alimentation bien enroulé autour des deux supports à cordon comme indiqué dans les directives de RANGEMENT.
- 14 Cet aspirateur ne reste pas en position verticale de façon autonome.

UTILISATION GÉNÉRALE

- 15 Utilisez seulement de la façon indiquée dans ce manuel.
- 16 N'INSÉREZ PAS d'objets dans les ouvertures. N'UTILISEZ PAS si des ouvertures sont bouchées; assurez-vous qu'il n'y a pas de poussière, de charpie, de cheveux et tout autre objet pouvant réduire le débit d'air.
- 17 Veuillez garder votre zone de travail bien éclairée.
- 18 L'aspirateur doit toujours être en mouvement sur le tapis afin d'éviter d'endommager les fibres.
- 19 NE PLACEZ PAS l'aspirateur sur des surfaces instables telles que chaises ou tables.

- 20 NE LAISSEZ PAS les jeunes enfants utiliser l'aspirateur ou l'utiliser comme un jouet. Une étroite surveillance est nécessaire lorsqu'utilisé près ou par des enfants.
- 21 N'UTILISEZ PAS si le récipient à poussière et/ou les filtres ne sont pas en place.

ACCESSOIRES POUR BOYAU

- 22 N'UTILISEZ PAS si le débit d'air est restreint; si les conduits d'air, le boyau ou les accessoires sont obstrués, éteignez l'aspirateur. Retirez toutes les obstructions avant de remettre l'appareil en marche.
- 23 Tenez éloigné de votre visage et votre corps, le boyau et les ouvertures pour accessoires.
- 24 Gardez la brosse rotative et les orifices d'aspiration éloignés de vos cheveux, de votre figure, de vos doigts, de vos pieds nus ou de vêtements amples.
- 25 N'utilisez que les accessoires recommandés par le fabricant.

RÉCIPIENT À POUSSIÈRE / FILTRES / ACCESSOIRES

Avant de mettre l'aspirateur en marche :

- 26 Assurez-vous que les filtres soient complètement secs après le nettoyage de routine.
- 27 Après avoir effectué l'entretien de routine, assurez-vous que le récipient à poussière et tous les filtres sont bien en place. Consultez la section ENTRETIEN pour lire les directives de nettoyage des filtres.
- 28 Assurez-vous que les accessoires sont libres de toute obstruction.
- 29 Utilisez seulement les filtres et accessoires fournis par SharkNinja Operating LLC. [À défaut de quoi, la garantie sera annulée.]

NETTOYAGE GÉNÉRAL

- 30 NE RAMASSEZ PAS de gros objets.
- 31 NE RAMASSEZ pas de gros objets ou des objets pointus comme du verre, des clous, des vis ou de la monnaie lesquels pourraient endommager l'aspirateur.
- 32 NE RAMASSEZ PAS d'objets chauds, fumants ou brûlants comme des cendres chaudes, bouts de cigarettes ou allumettes.
- 33 NE RAMASSEZ PAS de liquides inflammables ou combustibles tels que de l'essence à briquets, du carburant, du kérosène ou n'utilisez pas l'aspirateur dans des endroits où ces produits peuvent être présents.
- 34 NE RAMASSEZ PAS de solutions toxiques telles que de l'eau de javel, de l'ammoniac ou du nettoyeur à drains
- 35 N'UTILISEZ PAS dans des endroits clos où il y a des vapeurs provenant de la peinture, des diluants à peinture, des substances antimites, de la poussière inflammable ou tout autre matériel explosif ou toxique.
- 36 NE PASSEZ PAS l'aspirateur sur aucun liquide.
- 37 NE PLONGEZ PAS l'aspirateur dans l'eau ou tout autre liquide.
- 38 N'UTILISEZ PAS à l'extérieur ou sur des surfaces mouillées; utilisez uniquement sur des surfaces sèches.
- 39 Soyez extrêmement prudent lorsque vous nettoyez les escaliers.

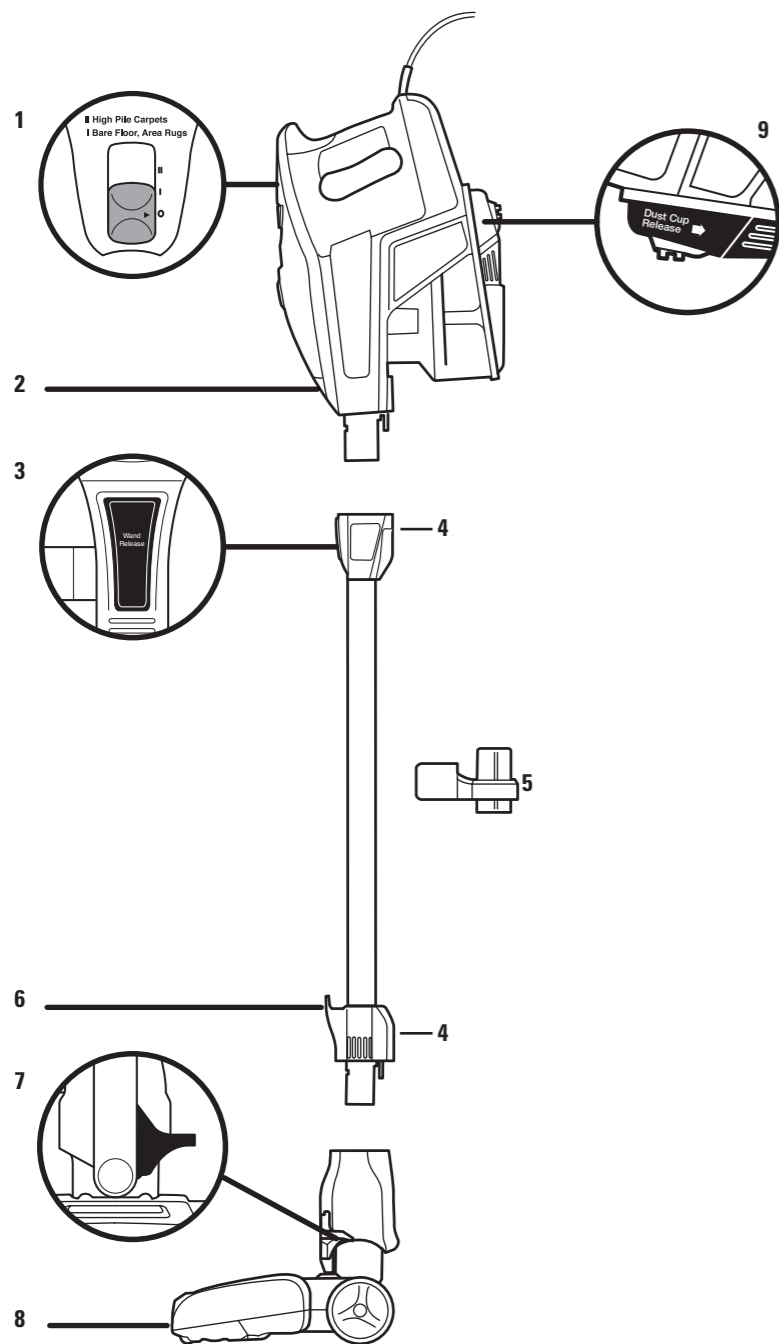
CONSERVEZ CES INSTRUCTIONS

FICHE POLARISÉE

Pour réduire le risque de chocs électriques, cet appareil possède une fiche polarisée (une lame est plus large que l'autre). Par mesure de sécurité, cette fiche ne peut être insérée que d'un seul côté dans une prise polarisée. Si la fiche ne s'insère pas complètement dans la prise de courant, inversez-la. Si cela ne fonctionne toujours pas, contactez un électricien qualifié. NE FORCEZ PAS ou ne modifiez pas la fiche pour la brancher dans une prise murale.

POUR USAGE DOMESTIQUE SEULEMENT

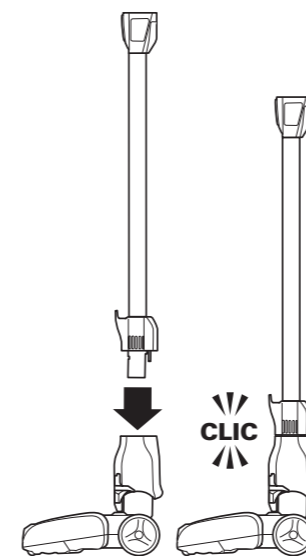




UNITÉ PRINCIPALE

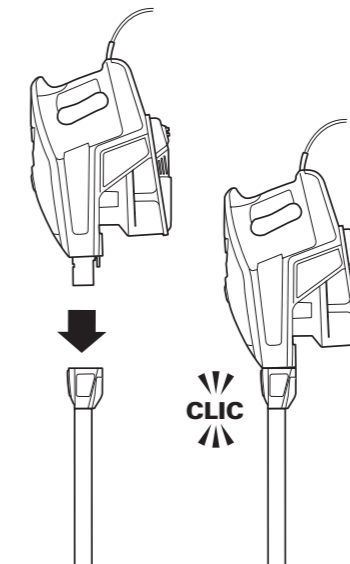
- 1 Interrupteur Marche-Arrêt/BAS/ÉLEVÉ
- 2 Éclairage DEL
- 3 Dégagement du tube
- 4 Supports d'enroulement du cordon (non visible)
- 5 Support de rangement
- 6 Crochet de rangement
- 7 Pédale de dégagement du buse de plancher
- 8 Phares
- 9 Dégagement de la coupelle à poussière

ÉTAPE 1



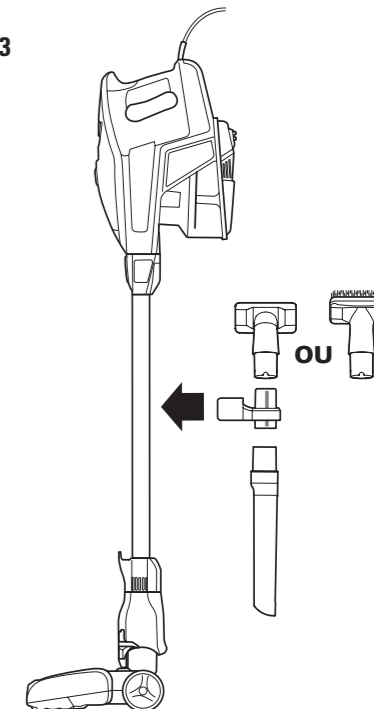
- 1 Insérez le tube dans le raccord de la brosse à planchers jusqu'à ce que vous entendiez un «clac».

ÉTAPE 2



- 2 Insérez la section portable à l'extrémité du tube jusqu'à ce que vous entendiez un «clac».

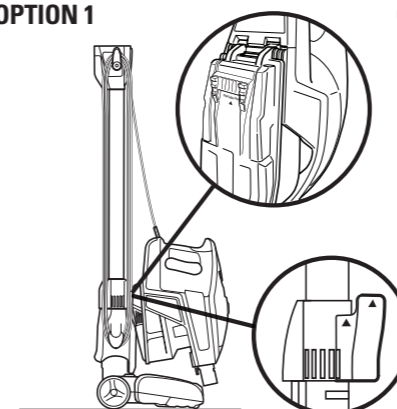
ÉTAPE 3



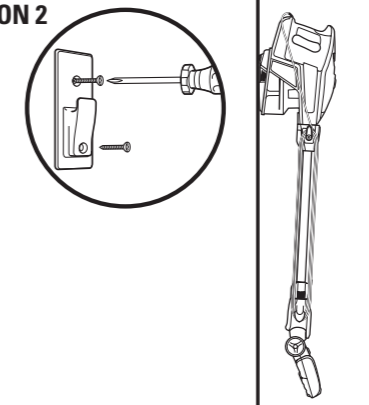
- 3 Cet aspirateur comprend un support amovible permettant de ranger jusqu'à deux accessoires sur l'appareil. Fixez le support au tuyau. Rangez un accessoire sur le crochet supérieur et un autre accessoire sur le crochet inférieur.

RANGEMENT

OPTION 1



OPTION 2



Nous vous recommandons l'un des deux modes de rangement.

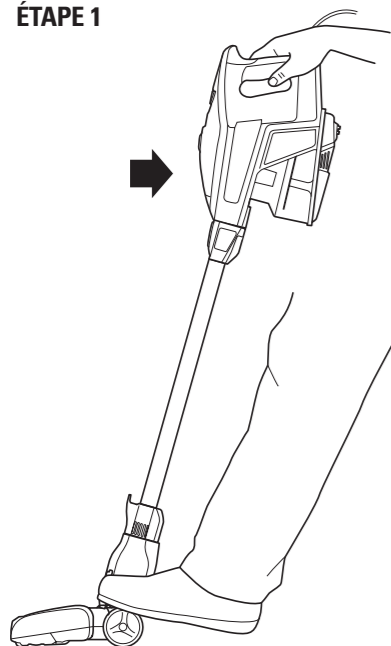
OPTION 1: Enfoncez le bouton de dégagement près de l'extrémité supérieure du tube afin de dégager la section portable de l'aspirateur. La partie inférieure de la section portable est dotée d'un crochet. Accrochez-le sur le support au bas du tube. Enroulez le cordon autour des deux supports d'enroulement du cordon. L'appareil est maintenant prêt pour le rangement.

OPTION 2: Utilisez le support mural inclus. Percez deux trous de 5/16 po et insérez les dispositifs d'ancrage de plastique dans le mur. Utilisez un tournevis cruciforme pour visser le support mural dans les dispositifs d'ancrage. Il y a un crochet au bas de la partie tenue à la main. Accrochez-le au support mural.

UTILISATION DE LA BUSE DE PLANCHER MOTORISÉ

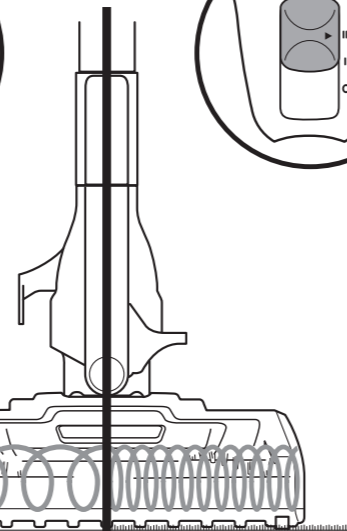
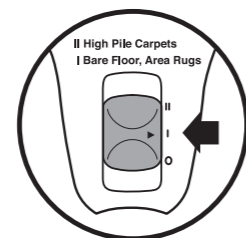
Cet aspirateur est doté d'un commutateur d'ALIMENTATION coulissant pour basculer entre deux vitesses, optimisé pour le nettoyage des planchers nus, des carpettes fragiles et des tapis. La buse de plancher est équipée avec des voyants lumineux qui éclairent la surface de plancher se faisant nettoyer. Les voyants s'allument dans un mode ou l'autre de vitesse.

ÉTAPE 1



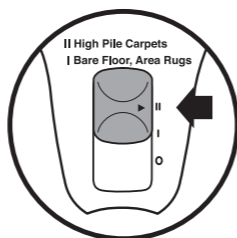
1 Branchez l'appareil et le faire pivoter vers l'arrière.

ÉTAPE 2



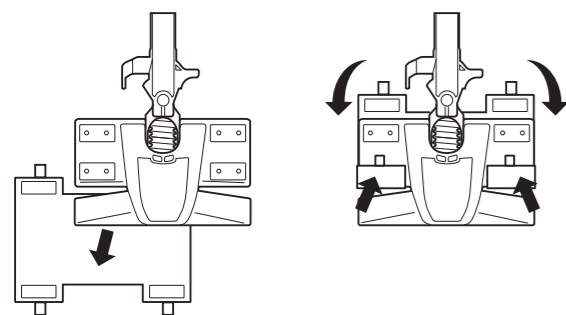
2 Glissez le commutateur d'ALIMENTATION en première position pour nettoyer les revêtements de sol nus et les carpettes fragiles. La brosse rotative pivotera lentement pour ramasser les débris.

ÉTAPE 3



3 Glissez le commutateur d'ALIMENTATION en deuxième position pour nettoyer les tapis. La brosse rotative pivotera plus rapidement pour déloger les débris en profondeur.

UTILISATION D'OUTIL DUST-AWAY^{MC} POUR REVÊTEMENTS DE SOL DURS



- 1 Glissez deux des onglets entre la buse d'aspiration et la base, puis attachez-les aux attaches situées à l'avant de la base. Ensuite, tirez fermement les deux autres onglets autour des attaches à l'arrière de la base. Assurez-vous que le linges soit à plat contre la surface inférieure et bien installé.
- 2 Glissez le commutateur d'ALIMENTATION en première position et utilisez le Dust-Away^{MC} pour nettoyer les surfaces de plancher sans revêtement. N'utilisez pas pour nettoyer des planchers humides, mouillés ou avec des gâchis collants. N'utilisez que les linges fournis par Shark^{MD} puisqu'ils sont conçus pour fonctionner avec les accessoires Dust-Away^{MC}.

LINGE EN MICROFIBRE

Lavez les linges séparément dans la machine à laver ou à la main, à l'eau chaude, à l'aide d'un détergent liquide.

N'utilisez pas de javellisant ou de produits assouplissants puisqu'ils pourraient endommager ou laisser un résidu qui réduira la performance de nettoyage des linges. Séchez par culbutage ou sur une corde à linge pour prolonger la durée de vie du tissu en microfibre.

Pour obtenir de meilleurs résultats nous vous recommandons de remplacer vos linges en microfibre à tous les 3 ou 4 mois.

REMARQUE : Cet aspirateur ne reste pas en position verticale de façon autonome. Lorsque vous prenez une pause, appuyez l'aspirateur contre un meuble ou déposez-le à plat sur le plancher.

NETTOYAGE AU-DELÀ DU SOL

Grâce au tube, la portée de cet aspirateur vous permet de nettoyer des endroits au-delà du sol ou difficiles à atteindre.

Elle a aussi la commodité d'un aspirateur portatif lorsque vous l'utilisez sans le tube, en plus d'avoir un éclairage illuminant la surface de nettoyage.

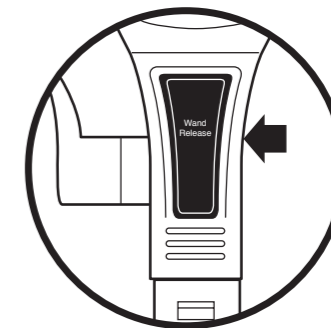
ÉTAPE 1



1 Mettez l'aspirateur en position verticale. Marchez sur la pédale pour pied sur la buse de plancher et tirez le tube vers le haut pour le sortir. Fixez l'accessoire de nettoyage désiré.

REMARQUE : Quel que soit la vitesse choisie vous obtiendrez la même puissance de succion.

ÉTAPE 2



2 Enfoncez le bouton de dégagement du tube-rallonge sur la partie supérieure du tuyau afin de le dégager de la section portable. Fixez l'accessoire de nettoyage désiré. La DEL s'allumera automatiquement dans la partie portable lorsque l'appareil est sous tension.

CONSEIL : Vous pouvez joindre l'aspirateur à main directement à la buse de plancher pour un nettoyage facile des escaliers.

La section « Support » du site Web www.sharkrocket.com comprend des vidéos éducatives présentant des conseils pratiques sur l'utilisation des accessoires.

ACCESSOIRES

Certains accessoires sont inclus. Pour obtenir la liste des accessoires inclus avec ce modèle, consultez le Guide de démarrage rapide.

SUCEURS PLATS

a - Suceur plat 12 po (30 cm)
Nettoyez entre les espaces étroits ou les plinthes et plafonds avec ce suceur plat allongé. (163FLHV3)

b - Suceur plat flexible 18 po (46 cm)
S'étend et fléchit à une longueur de 18 po pour rejoindre les coins, plinthes, espaces étroits ou plafonds. L'embout caoutchouté protège des égratignures. (228FFJV300)

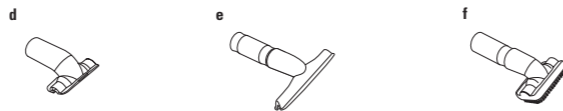
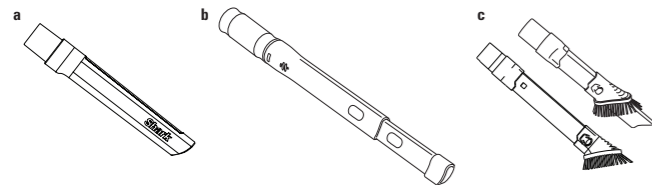
c - Brosse à épouseter « Duster Crevice »
Deux outils de nettoyage en un. Le suceur plat vous permet de rejoindre les petits espaces, alors que la brosse à épouseter nettoie une multitude de surfaces. (164FLHV3)

BROSSES À ÉPOUSER

d - Outil pour les meubles rembourrés
Idéal pour amasser les poils d'animaux ou charpie (peluche) de vos meubles ou autres surfaces d'ameublement. (166FLHV3)

e - Outil large pour les meubles rembourrés
Parfait pour attraper les poils d'animaux et peluches de votre ameublement, sommiers ou autres surfaces. (165FLHV3)

f - Brosse à épouseter
Super pour épouseter une multitude de surfaces telle que les étagères, tables, plinthes, fenêtre/cadre de porte, et bien plus. Pivotez la tête de brosse pour ajuster l'angle selon la surface à nettoyer. (229FFJV300)



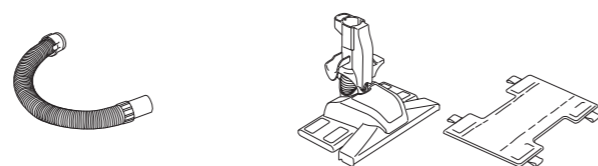
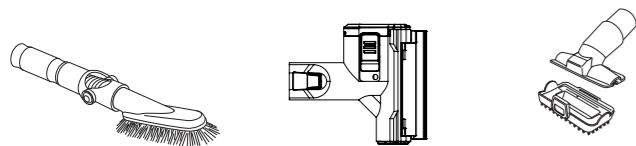
Brosse à épouseter à angles multiples
Brosse douce à épouseter et à 5 positions pour nettoyer les étagères (droite ou vers le bas), persiennes, murs, ventilateurs de plafond, ou luminaires. Ajustez l'angle selon la surface à nettoyer. (137FLV300)

Brosse motorisée TruePet^{MC}
La puissance d'un aspirateur vertical dans la paume de votre main. Ramasse les poils d'animaux, les débris, et nettoie avec puissance les pellicules ou squames d'animaux de vos fauteuils ou toutes autres surfaces. (168FLV322B)

Outil multiple d'animal domestique
Deux outils de nettoyage en un. La brosse à poils raides devient coincée sur les débris d'une multitude de surfaces. Retirez les poils pour dévoiler un outil spécialisé pour le nettoyage de poils d'animaux domestiques sur les articles rembourrés et plus encore. (1126FT323)

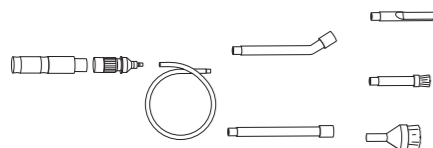
Tuyau flexible
Étirez et fléchissez ce tuyau flexible pour nettoyer autour des objets et rejoindre les espaces difficiles d'accès. Attachez le suceur plat ou autre accessoire selon vos besoins de nettoyage. (290FFJ321)

Accessoire pour revêtements de sol durs Dust-Away^{MC} avec linge en microfibre lavable
Aspiration directe pour les miettes un peu plus grosses ou les débris alors que le linge en microfibre époussette tous vos planchers durs. (XHPGV321, P200W)



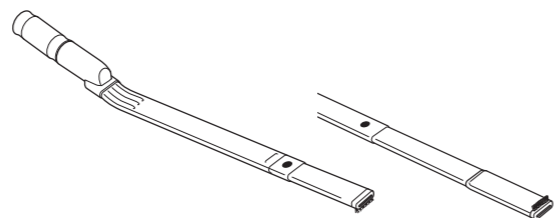
Ensemble de nettoyage complet pour la maison et l'automobile

Les tubes de rallonge et les micro-outils nettoient dans les endroits très restreints. (XCDOV300)



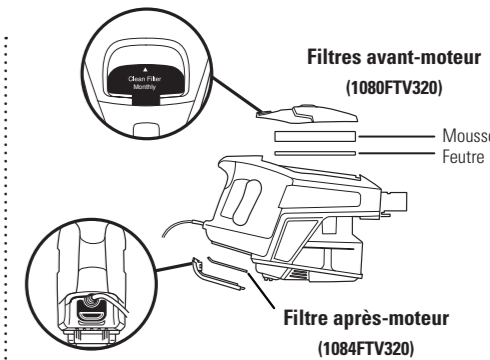
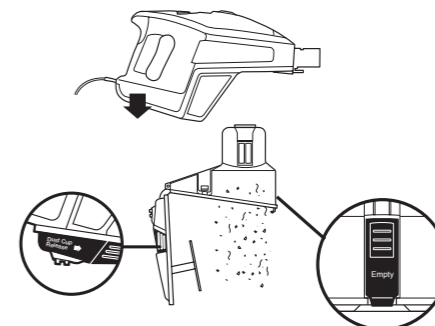
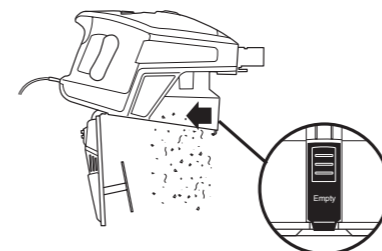
Tube rallonge pour le nettoyage du mobilier

Le tube s'allonge pour atteindre les endroits sous le mobilier et les électroménagers qu'il est difficile de déplacer. Renversez le tube rallonge pour nettoyer le dessous des électroménagers. (138FLV300)



ENTRETIEN

Pour assurer la puissance d'aspiration optimale de l'appareil, respectez ces directives. Assurez-vous que l'appareil soit éteint et le cordon débranché.



VIDER LA COUPELLE À POUSSIÈRE

- 1 Enfoncez le bouton de dégagement de la partie supérieure du tuyau et tirez sur la section portable.

OU

Dégager la coupelle à poussière de l'aspirateur en enfonçant les deux boutons de « déclenchement de la coupelle » situés de part et d'autre de la base, puis tirez sur la coupelle.

- 2 Tenez la coupelle à poussière au-dessus d'une poubelle, puis enfoncez le bouton de déclenchement sur le devant de la coupelle. Le couvercle inférieur s'ouvrira et relâchera les débris.

REMARQUE : Nettoyez la grille antipoussière de la coupelle à poussière au besoin.

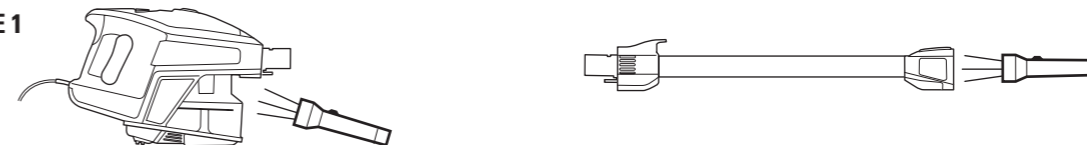
- 3 Une fois la coupelle à poussière vidée, fermez le couvercle inférieur et remettez la coupelle à poussière dans la section portable; vous entendrez le verrou s'enclencher.

REMARQUE : Vider la coupelle à poussière lorsque les débris atteignent la ligne MAX.

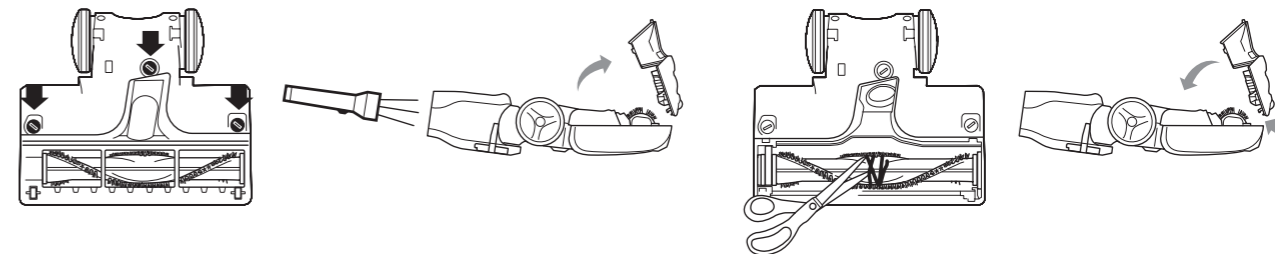
NETTOYAGE LES FILTRES

- 1 Soulevez le verrou supérieur de la section portable de l'aspirateur pour accéder aux filtres avant-moteur. Retirez les filtres et lavez-les à la main tous les mois. Laissez-les sécher complètement. Au besoin, tapez doucement les filtres pour déloger les saletés entre les nettoyages. Insérez d'abord le filtre de feutre, puis le filtre de mousse par-dessus.
- 2 L'accès au filtre après-moteur est situé sous la poignée. Retirez et lavez le filtre à la main une fois par an. Laissez sécher à l'air complètement avant de remplacer.

ÉTAPE 1



ÉTAPE 2



POUR VÉRIFIER LA PRÉSENCE D'OBSTRUCTIONS, RETIREZ ET INSPECTEZ :

LA SECTION PORTATIVE ET LE TUBE

- 1 Retirez le tube de la section portable et vérifiez toutes les entrées du récipient à poussière.
- 2 Retirez la buse à planchers du tube et vérifiez le tube pour détecter toute obstruction.

PARTIE INFÉRIEURE DE LA BUSE À PLANCHERS

- 1 À l'aide d'une pièce de monnaie, déverrouillez les trois verrous de la partie inférieure de la brosse à planchers.
- 2 Une section de la base est amovible pour favoriser l'accès à la brosse rotative et à la conduite d'aspiration. Braquez une lampe de poche à partir de l'extrémité inférieure afin de détecter toute obstruction de la conduite d'aspiration.
- 3 Enlevez les fils, les fibres de tapis ou les cheveux enroulés autour de la brosse rotative. La pièce rotative comporte une rainure où l'on peut glisser des ciseaux afin de couper et dégager les débris accumulés.
- 4 Pour assembler de nouveau, remplacez la base en l'alignant le long du devant de la buse. Poussez vers le bas pour enclencher en place. Bloquez les trois verrous.

GUIDE DE DÉPANNAGE

L'aspirateur n'aspire pas les saletés. Suction faible ou inexistante

- Inspectez les filtres pour vérifier s'il faut les nettoyer. Nettoyez et séchez les filtres en respectant les instructions avant de réinsérer ceux-ci dans l'aspirateur.
- Le récipient à poussière est peut-être plein; videz-le.
- Inspectez le tube, les raccords du tube, les brosses, les suceurs et autres accessoires pour détecter toute obstruction; dégagez les obstructions au besoin.
- Enlevez les fils, les fibres de tapis et les cheveux enroulés autour de la brosse rotative.

L'aspirateur soulève les carpettes

- La suction est puissante. Faites attention lorsque vous passez l'aspirateur sur les carpettes et les tapis à bordure cousue fragile.
- Éteignez l'appareil pour dégager la brosse rotative, puis redémarrez-le.

La brosse rotative ne pivote pas

- Si le voyant de l'indicateur du rouleau à brosse devient rouge, le rouleau à brosse a cessé de tourner. Mettez immédiatement l'aspirateur hors tension et débranchez-le; débranchez la buse et enlevez l'obstruction avant de brancher et de remettre l'aspirateur en marche.
- Si le voyant de l'indicateur du rouleau à brosse sur la buse de plancher devient vert, l'obstruction a été dégagée avec succès. Si le voyant est toujours rouge, veuillez communiquer avec le service à la clientèle au 1.800.798.7398.

L'aspirateur s'éteint de lui-même

- Cet appareil est doté d'un thermostat de protection du moteur. Si pour quelque raison votre aspirateur surchauffait, le thermostat éteindrait automatiquement l'appareil. Si cela se produit, effectuez les étapes suivantes pour réinitialiser le thermostat du moteur :
 1. Éteignez l'aspirateur.
 2. Débranchez l'aspirateur.
 3. Videz le récipient à poussière et nettoyez les filtres.
 4. Vérifiez s'il y a des obstructions dans le boyau, dans les accessoires et dans les orifices d'entrée.
 5. Laissez refroidir l'appareil pendant au moins 45 minutes.
 6. Branchez l'aspirateur.
 7. Redémarrez l'appareil en le mettant sous tension.

GARANTIE LIMITÉE DE CINQ (5) ANS

SharkNinja Operating LLC garantit ce produit contre toute défectuosité de matériel ou de main-d'œuvre pour une période de cinq (5) ans à compter de la date d'achat lors d'utilisation dans le cadre d'un usage domestique normal, sujet aux conditions, exclusions et exceptions suivantes.

La responsabilité de SharkNinja Operating LLC est limitée au coût de réparation ou de remplacement de l'appareil, à sa seule discrétion. Cette garantie limitée ne couvre pas l'usure normale des pièces et ne s'applique pas aux appareils ayant été altérés ou utilisés à des fins commerciales. Cette garantie limitée ne couvre pas les dommages causés par une mauvaise utilisation, l'abus, la négligence lors de la manipulation, un emballage inadéquat ou la mauvaise manipulation en transit. Cette garantie limitée ne couvre pas les dommages ou défauts causés par ou résultants du transport, des réparations, de l'entretien ou de l'altération du produit ou à ses pièces, effectués par un technicien non autorisé par SharkNinja Operating LLC.

Si votre appareil ne fonctionne pas comme il le devrait lors d'un usage domestique normal pendant la période de garantie, vous pouvez le retourner au complet avec ses accessoires, port payé. Pour obtenir de l'assistance avec les options du service de la garantie ou de l'assistance, veuillez appeler notre service à la clientèle et nos spécialistes de produits au 1-800-798-7398 ou visitez notre site Web à www.sharkrocket.com.

Si SharkNinja Operating LLC constate que l'appareil est défectueux, à la seule discrétion de SharkNinja Operating LLC, nous le réparerons ou le remplacerons sans frais. Une preuve d'achat est requise et un montant de 19,95 \$ est nécessaire pour couvrir les frais de retour.*

Les accessoires d'usage courant incluant, mais sans s'y limiter, les filtres, les brosses et les pièces électriques qui nécessitent habituellement un remplacement sont spécifiquement exclus de la garantie.

Cette garantie limitée s'applique à l'acheteur original de l'appareil et exclut toutes les autres garanties juridiques, implicites ou conventionnelles. La responsabilité de SharkNinja Operating LLC, s'il y en a une, se limite aux obligations spécifiques exprimées sous cette garantie limitée. En aucun cas, SharkNinja Operating LLC ne peut être tenu responsable d'incidents ou de dommages indirects de toute nature que ce soit. Certains États ou provinces n'autorisent pas l'exclusion ou la limitation de dommages circonstanciels ou conséquents, dans ce cas, cette disposition ne s'appliquerait pas.

Cette garantie limitée vous confère des droits juridiques spécifiques, et d'autres droits légaux vous sont peut-être disponibles, variant d'un État à l'autre ou d'une province à l'autre.

*IMPORTANT : Emballez soigneusement l'appareil pour éviter tout dommage lors du transport. Assurez-vous de joindre la preuve d'achat et d'attacher à l'appareil une étiquette mentionnant votre nom, adresse complète ainsi que le numéro de téléphone, de même que l'information concernant l'achat, le numéro de modèle et le problème, selon vous, de l'appareil. Nous vous recommandons d'assurer votre colis (puisque les dommages lors du transport ne sont pas couverts par la garantie). Indiquez sur l'extérieur de votre colis « ATTENTION SERVICE À LA CLIENTÈLE ».

Shark et **Rocket** sont des marques déposées de SharkNinja Operating LLC.

TruePet et **Dust-Away** sont des marques de commerce de SharkNinja Operating LLC.



MEDIDAS IMPORTANTES DE SEGURIDAD

Al usar aparatos eléctricos, siempre debe seguir precauciones básicas de seguridad, incluyendo las siguientes:

ADVERTENCIA

PARA REDUCIR EL RIESGO DE INCENDIO, DESCARGA ELÉCTRICA O DAÑOS PERSONALES:

- 1** NO la utilice en el exterior ni en superficies húmedas.
- 2** Desenchúfela del tomacorriente cuando no la utilice y antes de limpiarla.
- 3** NO use la aspiradora si el cable o el enchufe están dañados. Si la aspiradora no funciona como debe, ha sufrido caídas, daños, se ha dejado en el exterior o caído en el agua, retórnela a SharkNinja Operating LLC para que sea examinada, reparada o ajustada.
- 4** NO arrastre o transporte la aspiradora tirando del cable ni use el cable como un mango.
- 5** NO la desenchufe tirando del cable; para desenchufarla, sostenga el enchufe, no el cable.
- 6** NO toque el enchufe o la aspiradora con las manos húmedas.
- 7** NO pase la aspiradora sobre el cable de alimentación, no apriete el cable al cerrar una puerta ni tire del cable a través de bordes filosos.
- 8** NO se recomienda el uso de un cable de extensión.
- 9** NO deje la aspiradora desatendida cuando esté enchufada.
- 10** Mantenga el cable alejado de superficies calientes.
- 11** Apague todos los controles antes de enchufar o desenchufar la aspiradora.
- 12** Apague siempre la aspiradora antes de conectar o desconectar el cabezal motorizado.
- 13** Guarde su aspiradora con el cable de alimentación enrollado en los dos soportes como se muestra en la sección de ALMACENAMIENTO.
- 14** Esta aspiradora NO se queda parada por si sola.

USO GENERAL

- 15** Utilícela solamente como se indica en este manual.
- 16** NO introduzca ningún objeto en las ranuras. NO la use con ninguna abertura tapada; manténgalas libres de polvo, pelusa, pelos y cualquier otra cosa que pudiera reducir el flujo de aire.
- 17** Mantenga el área de trabajo bien iluminada.
- 18** Mantenga la aspiradora en movimiento sobre la superficie de la alfombra todo el tiempo para evitar dañar las fibras de la alfombra.
- 19** NO coloque la aspiradora sobre superficies inestables como sillas o mesas.
- 20** NO permita que los niños pequeños usen la aspiradora o que se utilice como un juguete. Debe tener mucho cuidado al ser utilizada por o cerca de niños.

- 21** NO la utilice sin el recipiente de la tierra y/o los filtros instalados en su lugar.

ACCESORIOS PARA LA MANGUERA

- 22** NO los use si el flujo de aire está restringido; si las aberturas de circulación de aire, la manguera o los accesorios se tapan, apague la aspiradora. Saque todas las obstrucciones antes de volver a encender la unidad.
- 23** Mantenga el extremo de la manguera y las aberturas de los accesorios alejados de la cara y del cuerpo.
- 24** Mantenga las herramientas de limpieza y las aberturas de succión de la manguera alejados del cabello, la cara, los dedos, los pies o ropa suelta.
- 25** Use únicamente los accesorios recomendados por el fabricante.

RECIPIENTE PARA LA TIERRA/FILTROS/ACCESORIOS

Antes de encender la aspiradora:

- 26** Verifique que todos los filtros estén completamente secos luego de limpiarlos.
- 27** Verifique que el recipiente para la tierra y todos los filtros estén en su lugar luego de realizar el mantenimiento de rutina. Consulte la sección MANTENIMIENTO por instrucciones de limpieza del filtro.
- 28** Verifique que los accesorios no estén tapados.
- 29** Use únicamente filtros y accesorios proporcionados por SharkNinja Operating LLC. [El no hacerlo invalidará la garantía].

LIMPIEZA GENERAL

- 30** NO aspire objetos muy grandes.
- 31** NO aspire objetos duros o filosos como vidrios, clavos, tornillos, monedas, los que podrían dañar la aspiradora.
- 32** NO aspire objetos con fuego o humeantes tales como carbón caliente, colillas de cigarrillos o fósforos.
- 33** NO aspire materiales inflamables o combustibles como líquido para encendedor o queroseno, ni use la aspiradora en áreas en las cuales puedan estar presentes.
- 34** NO la use para aspirar soluciones tóxicas tales como Cloro/Lejía , amoníaco o destapa cañerías.
- 35** NO la use en lugares cerrados y con vapores de pintura, diluyente de pintura, substancias antipolilla, polvo inflamable u otros materiales explosivos o tóxicos.
- 36** NO aspire ningún líquido.
- 37** NO sumerja la aspiradora en agua o ningún otro líquido.
- 38** NO la use en el exterior o en superficies mojadas; úsela únicamente en superficies secas.
- 39** Tenga especial cuidado al limpiar escaleras.

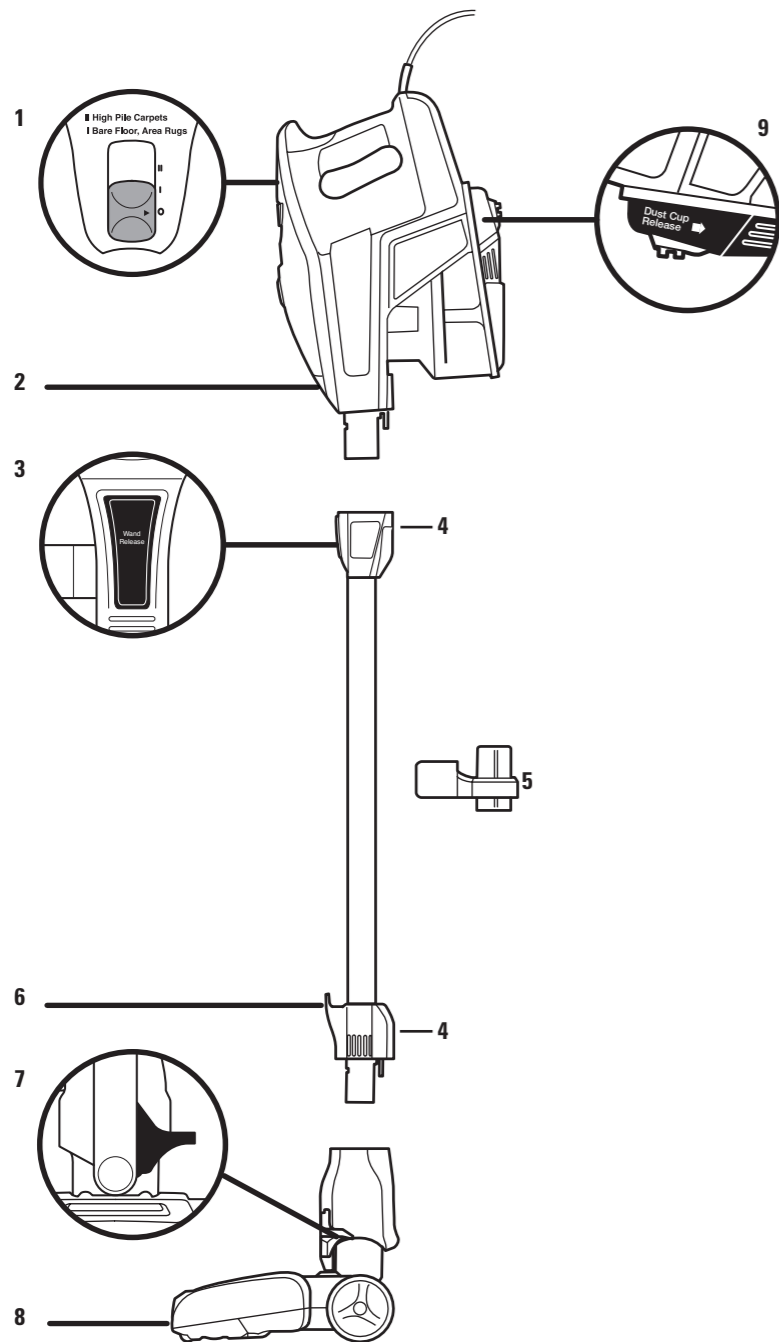
CONSERVE ESTAS INSTRUCCIONES

ENCHUFE POLARIZADO

Para reducir el riesgo de una descarga eléctrica, esta aspiradora posee un enchufe polarizado (una pata es más ancha que la otra). Como medida de seguridad, este cable entrará únicamente en un tomacorriente polarizado. Si el enchufe no entra completamente en el tomacorriente, inviértalo. Si aún no entra, llame a un electricista calificado. NO lo fuerce dentro del tomacorriente ni trate de modificarlo para que calce.

PARA USO DOMÉSTICO SOLAMENTE

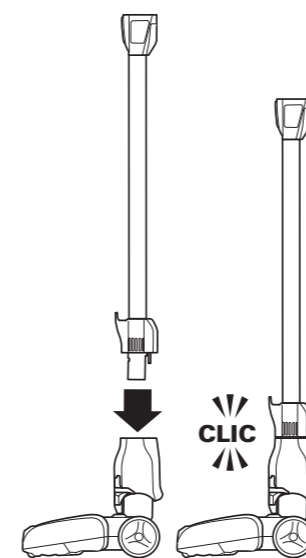




PARTE SUPERIOR

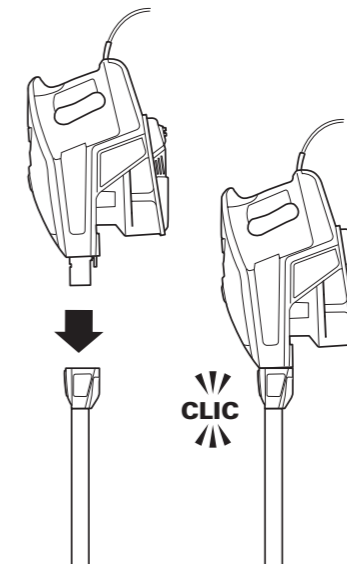
- 1 Controles de Encendido, Baja/Alta Velocidad
- 2 Luz LED
- 3 Banda de Liberación
- 4 Ganchos Almacenar el Cordon de Alimentación (no visto)
- 5 Herramienta para almacenar accesorios
- 6 Gancho de almacenamiento de vacío
- 7 Pedal de Liberación del Cepillo
- 8 Luces/Faros
- 9 Liberación de Recipiente de Polvo

ETAPA 1



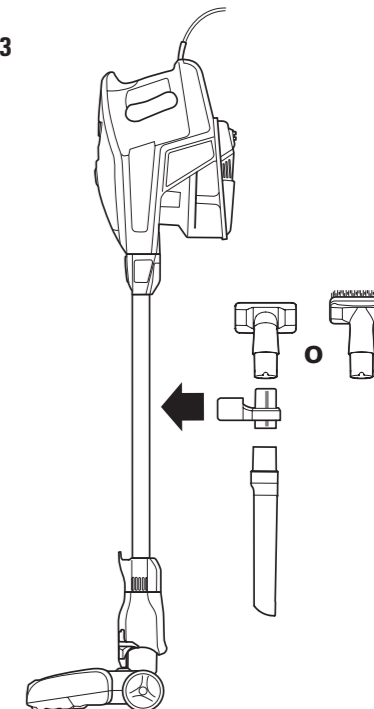
- 1 Inserte el tubo dentro del conector del cabezal para pisos hasta que escuche un "clíc".

ETAPA 2



- 2 Inserte la parte portátil dentro de la parte superior del tubo hasta que escuche un "clíc".

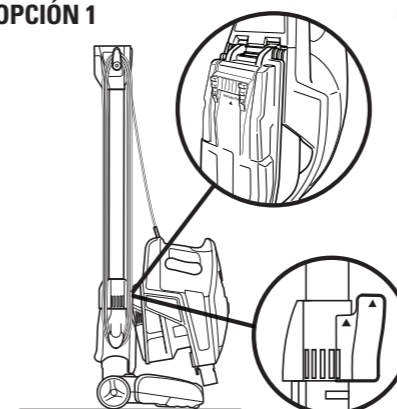
ETAPA 3



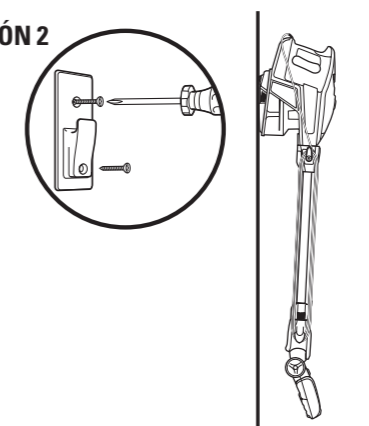
- 3 Esta aspiradora viene con un gancho removible para guardar hasta 2 accesorios con la unidad. Encaje el gancho en el tubo. Guarde un accesorio en el soporte de arriba y otro accesorio en el soporte de abajo.

ALMACENAMIENTO

OPCIÓN 1



OPCIÓN 2



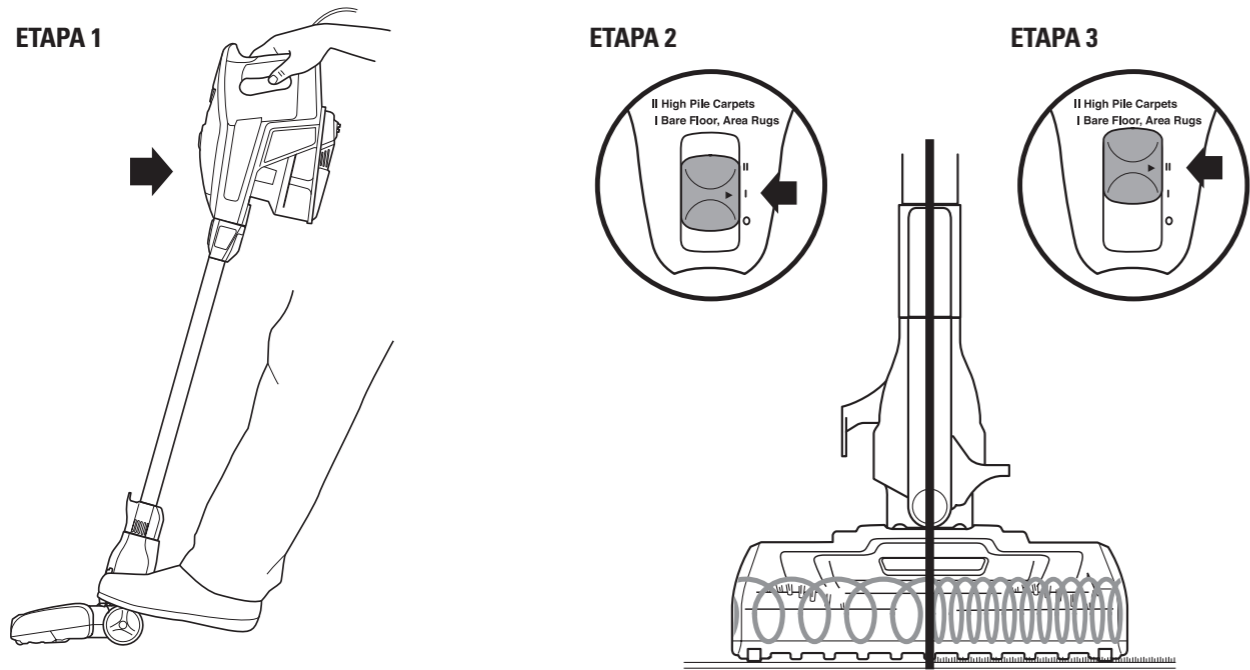
Modos de almacenar su aspiradora.

OPCIÓN 1: Presione el botón del extremo del tubo y tire para separarlo de la parte portátil. Hay un gancho en la parte de abajo de la parte portátil. Engánchelo en el gancho que está en la parte de abajo del tubo. Enrosque el cable alrededor de los dos ganchos para el cable. La unidad está lista para ser guardada.

OPCIÓN 2: Use el soporte para pared que vino incluido. Haga dos agujeros de 5/16" en la pared e inserte los anclajes plásticos incluidos. Con un destornillador Phillips, atornille el montaje de pared en los anclajes plásticos. Hay un gancho en la parte de abajo de la parte portátil. Engánchelo en el gancho que está en el soporte de pared.

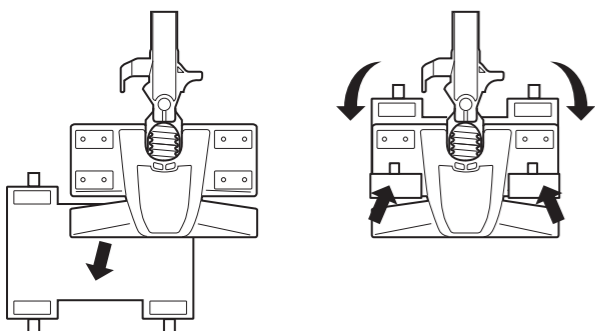
USANDO LA BOQUILLA PARA PISOS MOTORIZADO

Esta aspiradora tiene un interruptor de alimentación de 2 velocidades, optimizada para pisos sin alfombra, tapetes delicados y limpieza de alfombras. La boquilla para pisos está equipada con focos que alumbran la superficie del piso que se está limpiando. Las luces se encienden en cualquier ajuste de velocidad.



- 1 Conecte la unidad a una toma de corriente.
- 2 Coloque la llave de ENCENDIDO en la primera posición para limpiar pisos lisos y tapetes delicados. El cepillo girará lentamente para ayudar a recoger los residuos.
- 3 Coloque la llave de ENCENDIDO en la segunda posición para limpiar alfombras. El cepillo girará más rápidamente para ayudar a recoger los residuos por debajo de la superficie.

USANDO LA HERRAMIENTA DUST-AWAY™



- 1 Deslice dos de las pestañas entre la boquilla de succión y la base del equipo y fíjelas a los sujetadores delanteros de la base. Luego tire de las otras dos pestañas alrededor hasta llegar a los dos sujetadores de atrás de la base. Verifique que la almohadilla quede plana contra la superficie de abajo y bien ajustada.
- 2 Use el Dust-Away™ para limpiar superficies secas de pisos duros. No lo use para limpiar pisos mojados o suciedad húmeda/pegajosa. Use únicamente las almohadillas de Shark®, que están diseñadas para funcionar con el accesorio Dust-Away™.

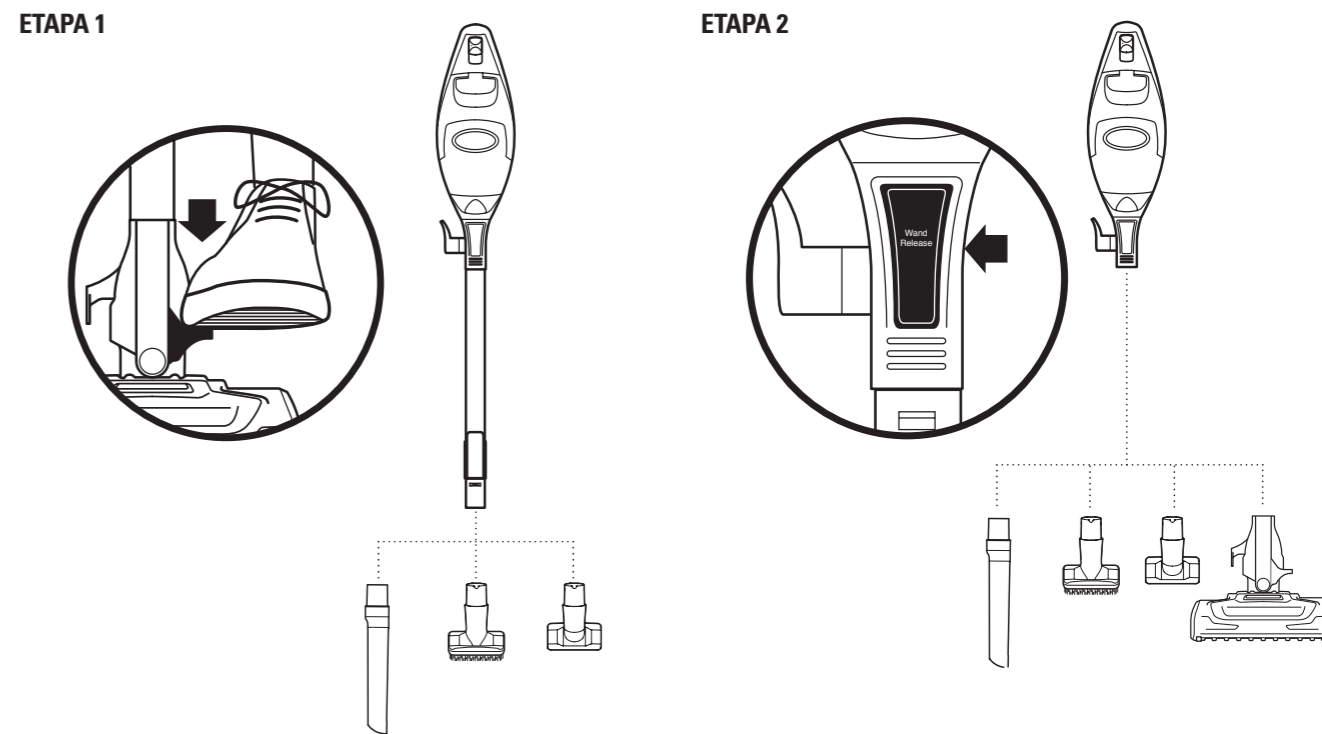
ALMOHADILLA DE MICROFIBRA

Lave las almohadillas separadamente en la lavadora o a mano en agua tibia con detergente líquido. No use Cloro/Lejía ni suavizantes para ropa ya que podrían dañar o dejar una capa que reduciría el rendimiento limpiador de las almohadillas. Séquelos en la secadora a calor bajo o al aire para extender la vida de la tela de micro fibras. Para la mejor limpieza de los pisos, le recomendamos reemplazar sus almohadillas de micro fibras cada 3-4 meses.

NOTA: Esta aspiradora no se queda parada por sí sola. Cuando se tome un descanso, apóyela contra un mueble o acuéstela en el piso.

PARA LIMPIAR POR ENCIMA DEL PISO

Esta aspiradora tiene alcance como para limpiar por encima del piso o en lugares de difícil acceso usando el tubo. También tiene la conveniencia de una aspiradora portátil al usarla sin el tubo, y una luz para alumbrar la superficie a limpiar.



- 1 Coloque la aspiradora en posición vertical. Pise el pedal de color de la boquilla para pisos y tire del tubo hacia arriba para desconectarlo de la boquilla. Coloque el accesorio de limpieza deseado.
- 2 Presione el botón de WAND RELEASE (liberación del tubo) de la parte de arriba del tubo y tire para desconectarlo de la parte portátil. Coloque el accesorio de limpieza deseado. La luz LED de la aspiradora portátil se enciende automáticamente al encender la unidad.

NOTA: Ambas velocidades tienen el mismo poder de succión.

NOTA: Esta aspiradora no se queda parada por sí sola. Cuando se tome un descanso, apóyela contra un mueble o acuéstela en el piso.

Puede encontrar los videos de instrucciones en la sección de Soporte de www.sharkrocket.com con consejos prácticos acerca de cómo usar los accesorios.

ACCESORIOS

Algunos accesorios de limpieza están incluidos. Para obtener una lista de los elementos que se incluyen con este modelo, consulte el Inicio rápido.

CABEZAL ESQUINERO

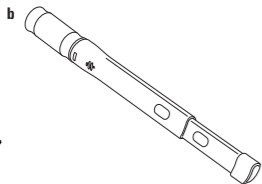
a - 12" Boquilla para rincones y ranuras

Esta herramienta se utiliza para la limpieza espacios reducidos o zócalos y techos. (163FLIHV3)



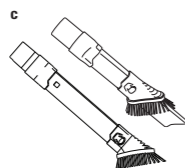
b - Boquilla flexible para rincones y ranuras de 18"

Esta herramienta se extiende 18 pulgadas para un mejor acceso en las esquinas, zócalos y techos. La punta de goma evita daños en las superficies. (228FFJV300)



c - Boquillas quita polvo

Dos herramientas de limpieza en uno. La boquilla para aspirar rincones y ranuras le brinda una mejor limpieza en espacios pequeños mientras que el cepillo quita polvo limpia una multitud de superficies. (164FLIHV3)



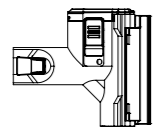
Cepillo quita Polvo Multi-Angulo

Este cepillo posee 5 posiciones para la limpieza de estantes, persianas, paredes, ventiladores de techo, lámparas (orientación ascendente o descendente). Ajuste el ángulo de este cepillo para la limpieza de la superficie deseada. (137FLIV300)



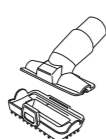
TruePet™ cepillo motorizado para pelo de mascota

En la palma de su mano Ud cuenta con el poder de succión de una aspiradora de tamaño normal. Recoje pelos de mascotas, residuos sueltos y aspira profundamente el polvo de los muebles. (168FLV322B)



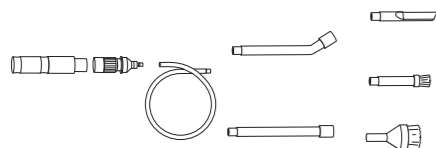
Accesorio múltiple para mascotas

Dos accesorios de limpieza en uno. El cepillo de cerdas duras limpia la suciedad pegada en muchas superficies. Remueva las cerdas para revelar un accesorio para tapizados, que remueve el pelo de mascotas de sus tapizados y mucho más. (1126FT323)



Kit de herramientas para la casa y el carro

Tubos de extensión y micro herramientas para la limpieza de espacios reducidos. (XCDV300)



CEPILLOS LIMPIADORES

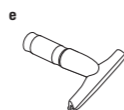
d - Herramienta ancha para tapicería

Perfecta para aspirar colchones y otras superficies tapizadas. (166FLIHV3)



e - Amplia Herramienta ancha para tapicería

Perfecta para aspirar colchones y otras superficies tapizadas. (165FLIHV3)



f - Cepillo quita Polvo

Ideal para remover el polvo de múltiples superficies como estantes, mesas, topes, marcos de ventanas y/o puertas y mucho más. Doble la cabeza del cepillo para ajustar el ángulo mientras limpia el área. (229FFJV300)



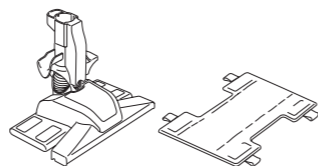
Tubo flexible

Estire y flexione esta manguera de extensión para limpiar alrededor de los objetos y entrar en espacios de difícil acceso. Ud puede conectar cualquier boquilla u otro accesorio dependiendo de lo que está limpiando. (290FFJ321)



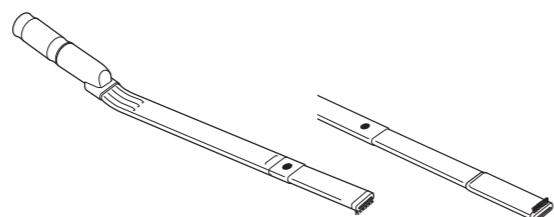
Cabezal Dust-Away™ para pisos duros con almohadilla de microfibra

Esta herramienta va aspirando migajas o restos de comida y al mismo tiempo con la almohadilla de microfibra va recojiendo el polvo de los pisos de madera o cerámica. (XHFGV321, P200WF)



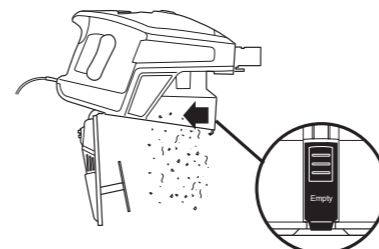
Varilla para artefactos

Se extiende para llegar a áreas debajo de artefactos y muebles difíciles de mover. Dé vuelta la extensión para limpiar la parte de abajo de los artefactos también. (138FLIV300)



MANTENIMIENTO

Para mantener la succión óptima de su aspiradora, siga estas instrucciones. Verifique que la unidad esté apagada y desenchufada.



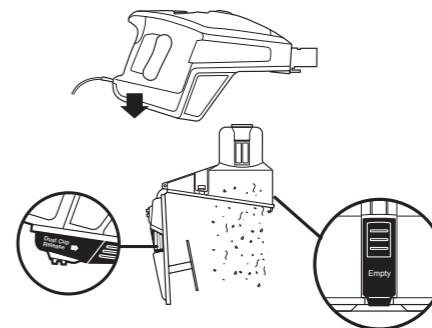
VACIADO DEL RECIPIENTE DE LA TIERRA

- 1 Saque la parte portátil del resto de la aspiradora presionando el botón que está en la parte de arriba del tubo para removerlo de la parte portátil.

0

1 Separe el recipiente de la tierra de la aspiradora presionando entre sí los dos botones de "liberación del recipiente de la tierra" a ambos lados de la base y tirando derecho hacia afuera.

- 2 Con el recipiente para la tierra sobre un cesto para la basura, presione el botón de liberación que está en el

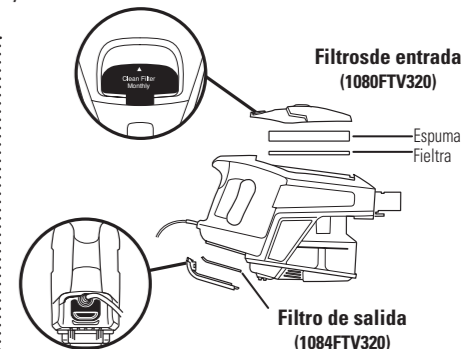


frente del recipiente para la tierra. Se abrirá la tapa de abajo, permitiendo que los residuos caigan en la basura.

NOTA: Limpie la rejilla que está dentro del recipiente para la tierra si fuera necesario.

- 3 Cuando termine de vaciar el recipiente de la tierra, cierre la tapa inferior y vuelva a insertar el recipiente de la tierra en la parte portátil hasta que escuche que se trabe en su lugar.

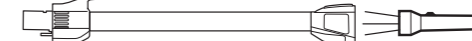
NOTA: Vaciar el Recipiente para el Polvo cuando llegue al nivel MAXIMO (ver línea).



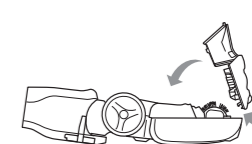
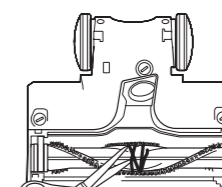
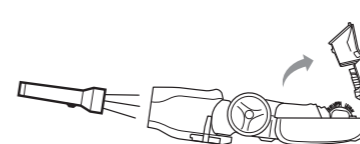
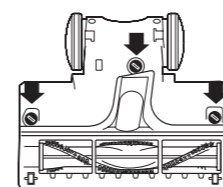
LIMPIE LOS FILTROS

- 1 Acceda a los filtros del motor levantando la traba que está en la parte de arriba de la parte portátil de la aspiradora. Saque y enjuague el filtro de espuma y el filtro de fieltro cada mes. Lávelos a mano únicamente. Deje que se sequen completamente al aire antes de volver a instalarlos. Sacuda la basura de los filtros entre lavados si es necesario. Coloque primero el filtro de fieltro y luego el de espuma arriba de él.
- 2 Acceda al filtro de salida debajo del mango. Remuévalo y enjuáguelo una vez por año. Deje que se seque completamente al aire antes de volver a instalarlo. Lávelo a mano únicamente.

ETAPA 1



ETAPA 2



PARA VERIFICAR DE OBSTRUCCIONES, REMOVER Y REVISAR:

PARTE PORTÁTIL Y TUBO

- 1 Saque el tubo de la parte portátil y revise todas las entradas del recipiente para la tierra.
- 2 Saque el cabezal para pisos del tubo y revise que el tubo no esté obstruido

PARTE DE ABAJO DEL CABEZAL PARA PISOS

- 1 Use una moneda para abrir las 3 trabas de la parte de abajo del cabezal para pisos.
- 2 Una parte de la base es removible para facilitar el acceso al cepillo y a la entrada de aire. Use una linterna desde la parte de abajo para verificar que la entrada de aire no esté obstruida.

- 3 Remueva todos los hilos, fibras de alfombra o pelo que pudiera estar enrollado alrededor del cepillo. El cepillo tiene una ranura para poder colocar una tijera y cortar los desechos para aflojarlos.
- 4 Para volver a armarla, vuelva a colocar la base alineándola con el frente de la boquilla. Empuje hacia abajo para que trabe en su lugar. Cierre las 3 trabas.

GUÍA DE DIAGNÓSTICO DE PROBLEMAS

La aspiradora no levanta la tierra. No hay succión o es muy baja

- Revise si hay que limpiar los filtros. Siga las instrucciones para enjuagar y secar los filtros antes de volver a instalarlos en la aspiradora.
- El recipiente de la tierra puede estar lleno; vacíelo.
- Revise que no haya ninguna obstrucción en el tubo, sus conexiones, las boquillas y los accesorios; limpie las obstrucciones si es necesario.
- Remueva todos los hilos, fibras de alfombra o pelo que pudiera estar enrollado alrededor del cepillo.

La aspiradora levanta tapetes

- Demasiada succión. Tenga cuidado al aspirar tapetes o alfombras con bordes bordados delicados.
- Apague la unidad para destrabar el cepillo y vuelva a encenderla con la llave de encendido.

El cepillo no gira

- Si la luz indicadora del cepillo giratorio se vuelve roja, el cepillo ha dejado de girar. Apague y desenchufe inmediatamente la aspiradora, desconecte la boquilla y remueva la obstrucción antes de volver a conectarla y de volver a encender la aspiradora.
- Si la luz indicadora del cepillo giratorio es verde, se ha solucionado el bloqueo exitosamente. Si la luz sigue siendo roja, llame a Servicio al cliente al 1.800.798.7398.

La aspiradora se apaga sola

- Esta unidad está equipada con un termostato de protección del motor. Si la aspiradora se sobrecalienta por cualquier motivo, el termostato la apagará automáticamente. Si pasa eso, siga los siguientes pasos para reiniciar el termostato del motor:
 1. Apague la unidad.
 2. Desenchufe la aspiradora.
 3. Vacíe el recipiente para la tierra y limpie los filtros.
 4. Revise que la manguera, los accesorios y las entradas de aire no estén tapados.
 5. Permita que la unidad se enfríe durante 45 minutos como mínimo.
 6. Enchufe la aspiradora.
 7. Vuelva a encender la unidad con la llave de encendido.

GARANTÍA LIMITADA DE CINCO (5) AÑOS

SharkNinja Operating LLC garantiza este producto contra defectos de materiales y mano de obra por un término de cinco (5) años a partir de la fecha de compra original, siempre que sea utilizado para uso doméstico normal, sujeto a las siguientes condiciones, exclusiones y excepciones.

La responsabilidad de SharkNinja Operating LLC se limita únicamente al costo de reparación o reemplazo de la unidad, a nuestro criterio. Esta garantía limitada no cubre el desgaste normal de las partes y no cubre ninguna unidad que haya sido alterada o utilizada con fines comerciales. Esta garantía limitada no cubre daños ocasionados por uso inadecuado, abuso, negligencia o daños causados por embalaje inapropiado o maltrato durante el transporte. Esta garantía limitada no cubre daños o defectos causados o resultantes durante el transporte para su reparación o alteraciones del producto o cualquiera de sus partes, realizadas por una persona no autorizada por SharkNinja Operating LLC.

Si su artefacto no funciona correctamente al utilizarlo bajo condiciones domésticas normales dentro del período de garantía, puede devolver el artefacto completo y los accesorios, junto con un comprobante de la fecha de compra, pagando los gastos de envío. Por asistencia con opciones del servicio de garantía o para soporte al cliente, llame a nuestro centro de atención al cliente y especialistas de productos al 1-800-798-7398 o visite nuestro sitio web en www.sharkrocket.com.

Si SharkNinja Operating LLC determina que el artefacto presenta un defecto, lo reparará o reemplazará sin cargo, a su criterio. Se requiere comprobante de compra y se aplica un cargo de \$19.95 para cubrir el costo del envío de vuelta.

Los insumos tales como, sin limitación, filtros, cepillos y partes eléctricas que normalmente necesitan ser reemplazados son explícitamente excluidos de la garantía.

Esta garantía limitada es válida para el comprador original del producto y excluye cualquier otra garantía legal, implícita y/o convencional. La responsabilidad de SharkNinja Operating LLC, de existir, se limita a las obligaciones específicas asumidas expresamente bajo los términos de esta garantía limitada. Bajo ninguna circunstancia SharkNinja Operating LLC será responsable por daños incidentales o indirectos a cualquiera, de ninguna clase. Algunos estados no permiten la exclusión o limitación de daños consiguientes o incidentales, por lo tanto lo anterior puede no ser válido para usted.

Esta garantía limitada le otorga derechos legales específicos, y usted puede también tener otros derechos los que varían de estado a estado o de provincia a provincia.

***IMPORTANTE:** Embale el producto cuidadosamente para evitar daños durante el transporte. Asegúrese de incluir un comprobante de la fecha de compra y de colocarle una etiqueta al producto con su nombre, dirección completa y número de teléfono, una nota proporcionando información de la compra, número de modelo y una descripción del problema. Le recomendamos asegurar el paquete (puesto que la garantía no cubre daños de envío). Escriba en el exterior del paquete "ATTENTION CUSTOMER SERVICE".

Shark y Rocket son marcas registradas de SharkNinja Operating LLC.
TruePet y Dust-Away son marcas comerciales de SharkNinja Operating LLC.



For Shark | Ninja U.S. Patent information visit
<http://www.sharkninja.com/USPatents>

Illustrations may differ from actual product. We are constantly striving to improve our products, therefore the specifications contained herein are subject to change without notice.

Pour des renseignements sur les brevets de Shark | Ninja aux É.-U., veuillez visiter <http://www.sharkninja.com/USPatents>

Les illustrations peuvent différer du produit réel. Nous essayons constamment d'améliorer nos produits, donc les clauses contenues dans ce document peuvent changer sans préavis.

Por información acerca de las patentes en EE.UU. de Shark | Ninja, visita <http://www.sharkninja.com/USPatents>

El dibujo puede no ser igual al producto real. Nosotros nos esforzamos constantemente en mejorar nuestros productos, por lo tanto las especificaciones aquí indicadas pueden cambiar sin previo aviso.




Shark®

**WE WANT TO HEAR
FROM YOU!**

**NOUS VOULONS VOUS
ENTENDRE!**

**QUEREMOS SABER
DE USTED!**

 www.sharkrocket.com

 1.800.798.7398

**JOIN THE
CONVERSATION**

**PARTICIPER À LA
CONVERSATION**

**ÚNASE A LA
CONVERSACIÓN**



@sharkcleaning

**WATCH AND LEARN
MORE**

**REGARDER ET
APPRENDRE PLUS**

**OBSERVAR Y
APRENDER MÁS**



youtube.com/shark

