

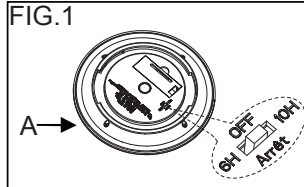
ASSEMBLY AND INSTALLATION INSTRUCTIONS

Installation instructions :

Step 1

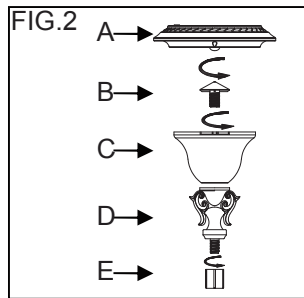
Before assembly, choose your preferred operating mode from the two modes described in the table below, using the switch on the bottom of the solar panel (A). (FIG. 1)

Mode	Light Output	Runtime
6H	30 lumens constantly	6 hours
10H	24 lumens in the first 5 hours, 12 lumens in next 5 hours	10 hours



Step 2

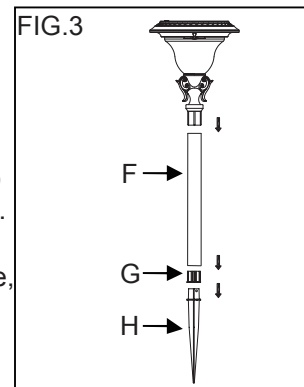
Insert the reflector (B) into the bottom hole of the lens (C) and attach the skirt (D) to the reflector (B) and the adaptor (E) to the skirt (D). Then, twist and secure lens (C) to top housing (A). (FIG.2)



Step 3

Attach the mounting pole (F) to the connector (G) and to the ground spike (H), then attach the light assembly to the mounting pole (F). Push the assembly into the ground. (FIG.3)

Caution: DO NOT use a hammer. For ground with hard soil, to prevent breaking the ground spike, use trowel to loose soil first.



Before first use

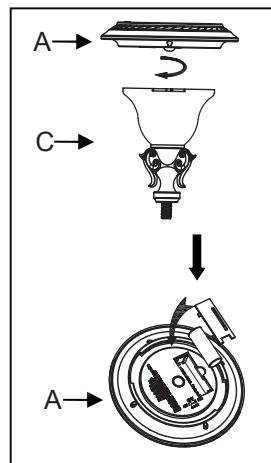
Choose the right location :

Select a location with full, direct sunlight. Do not install in shady areas as these areas will not allow the battery to be fully charged and will reduce night-time working hours. Be sure that the selected location is not close to other night-time light sources such as street lights or porch lights. These light sources may keep the solar lights from turning on automatically.

Replace the battery

Twist and remove the lens (C) from the top housing (A). Remove the battery compartment cover. Replace the old battery with one fresh 3.2V 18500 Lithium phosphate rechargeable battery. **Note:** A minimum capacity of 850mAh is required. Replace the battery compartment cover and the lens.

CAUTION: CONTAINS LITHIUM PHOSPHATE BATTERY. BATTERY MUST BE RECYCLED OR DISPOSED OF PROPERLY. DO NOT INCINERATE.



Warning

- For best results, use type Lithium phosphate (example-alkaline, carbon-zinc, etc.) batteries.
- Install only new batteries of the same type in your product. Failure to insert batteries in the correct polarity, as indicated in the battery compartment, may shorten the life of the batteries or cause batteries to leak.
- Do not mix old or new batteries.
- Do not mix Alkaline, Standard (Carbon-Zinc) or Rechargeable (Nickel Cadmium) or (Nickel Metal Hydride) batteries.
- Do not dispose of batteries in fire.
- Batteries should be recycled or disposed of as per state and local guidelines.

Troubleshooting

If your solar light does not turn on at night or its nightly run time is short, it may be caused by one of the following conditions :

1. Battery is not fully charged. Make sure the solar light is located in an area where it can receive the maximum amount of full, direct sunlight every day. If the solar light does not receive enough sunlight during any given day (e.g. due to cloudy or overcast weather conditions), it will be recharged on the next sunny day and resume normal operation. Keeping the solar panel clean is equally important to ensure the maximum charging performance.
2. The solar light is installed close to other light sources, which may keep the solar light from turning on at night automatically. To solve the problem, relocate the fixture or eliminate other light sources.
3. The battery is reaching the end of its useful life and needs to be replaced.

Charging the battery

For optimum performance, it is best to install the solar light in full sunlight and charge for 10-12 hours with the switch in the 6H or 10H position. Note: Batteries CANNOT be charged when switch is in the OFF position. Allow the light to run at least 8-12 complete charging and discharging cycles to reach batteries' maximum capacity.

Winter tips

Keep debris and snow off the solar panel to allow the battery to recharge. If lights have been covered by snow for a long time, allow batteries to recharge in full, direct sunlight for at least 10-12 hours so that they maintain maximum capacity.

Warranty

This product is warranted for 2 year against defects in material or workmanship. Return the product with original sales receipt to the place of purchase where it will be repaired or replaced at the retailers option. This warranty applies to the original purchaser only. This warranty gives you specific legal rights, and you may also have rights that vary from state to state.

© Copyright 2015

This product is distributed by:
Jiawei Technology (USA) Ltd.

For Assistance, Call: 1-855-826-7488

www.DuracellLighting.com