



sleep  number®

Adjustable Base Assembly Instructions



Welcome and Congratulations

Congratulations on your purchase of a Sleep Number® bed! You're about to join the more than 10 million people who've traded their innerspring mattresses for the most innovative sleep surface ever. The technology behind the Sleep Number bed is one that recognizes the unique sleeping needs of every individual, which vary according to comfort preference, body type, height, weight, sleeping position, and other health and lifestyle factors. By creating a fully personalized sleep surface, your new Sleep Number bed offers you customized comfort that can improve your sleep quality.

You'll enjoy years of the latest generation of sleep comfort and technology in your Sleep Number bed. Our commitment to quality is at the heart of our manufacturing process and every Sleep Number bed is designed and crafted in the USA. Our focus on constant innovation, value, and customer satisfaction has repeatedly earned us the Consumers Digest Best Buy award.

We thank you for your purchase and wish you years of personal comfort and restful sleep.

What's Inside

With your new Sleep Number® adjustable base, you'll enjoy the benefits of better sleep for years to come. In this manual we've included everything you'll need to know for setup, so you can start your Sleep Number® experience tonight. First, you'll need to remove your old bed. Next, we'll guide you through assembling the bases step-by-step. And, finally—the best part—you can indulge in the personalized comfort of your Sleep Number® bed.

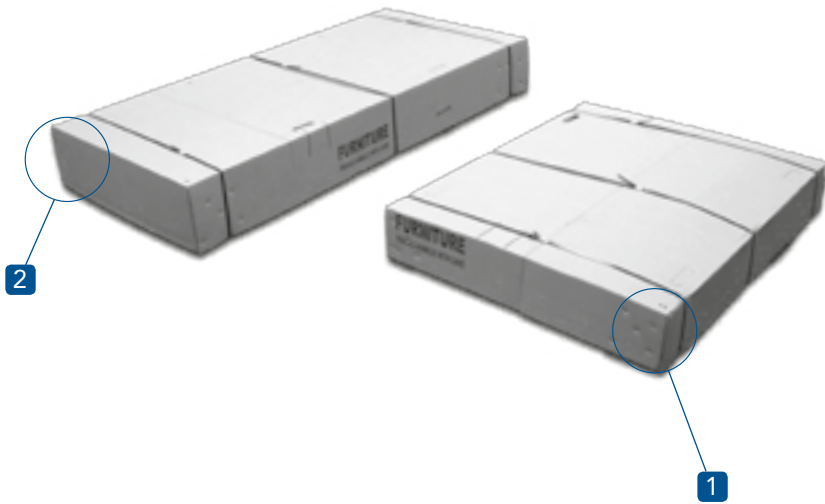
Base Assembly.....	pg 4
Hand Control Function.....	pg 13
Headboard Bracket Assembly.....	pg 14
Warranty	pg 20

WARNING: Read all instructions before use to avoid injury. Improper use of product can result in serious injury or death. Follow the safety information in this assembly guide. Keep this assembly guide for future reference.

Base Assembly

1 Locate Your Box 1 and Box 2

NOTE: You'll do steps 1–13 for both bases for all King models.



2 Cut and Remove Plastic Bands from Box 1

CAUTION: Sharp tools are a cut hazard. Always keep blades away from fingers and body.



3 Open Box and Remove Packaging

- Open Box 1 to reveal one adjustable base deck assembly.
- Remove the protective plastic covering from the adjustable deck assembly.

CAUTION: Dispose of all packaging as it can create choking hazards to small children or pets.



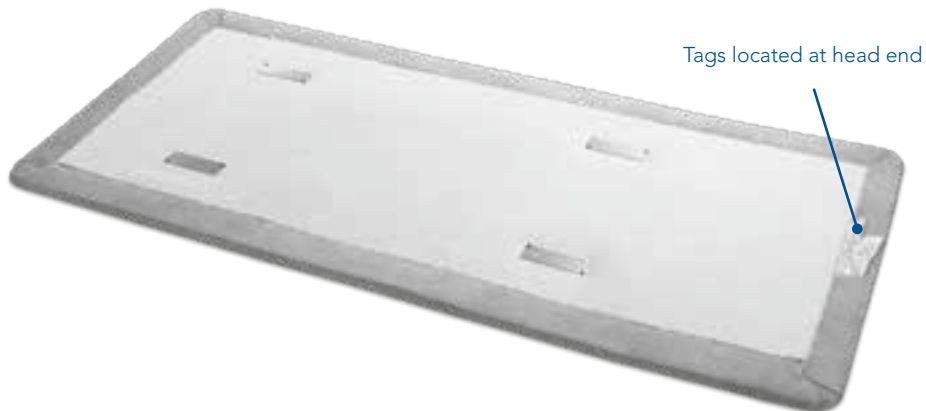
4 Unfold Deck Assembly

- Place on a clean, flat surface.



5 Position Deck Assembly

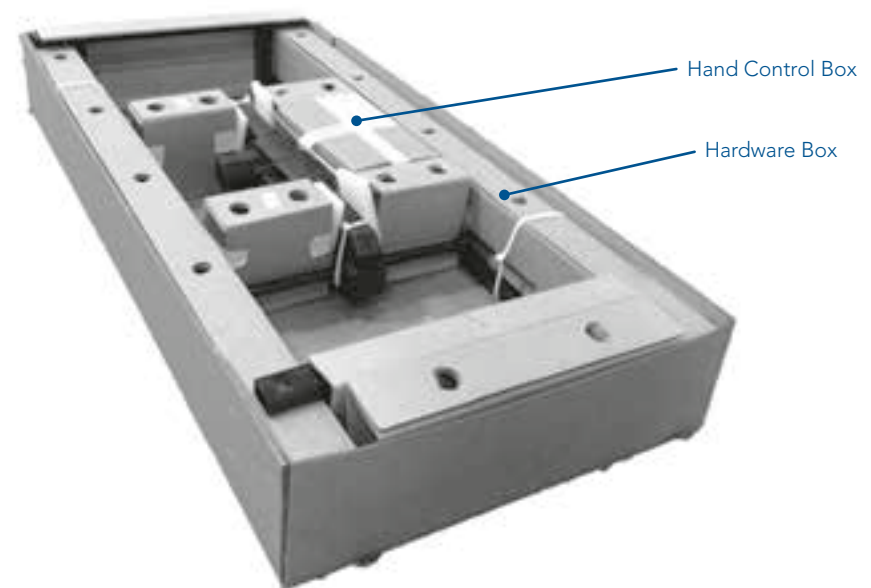
- Make sure that the deck assembly is bottom side up.














6 Cut and Remove Plastic Bands from Box 2

- Remove the edge packaging.
- Remove the hardware box.
- Remove the hand control box.
- Verify the contents. If you are missing any items listed on the following page, please call 1.800.790.9298 or email customer service at customerservice@selectcomfort.com.
- Remove the mattress retainer bar (taped to the inside of the hardware box).

CAUTION: Dispose of all packaging as it can create choking hazards to small children or pets.



Parts and Components

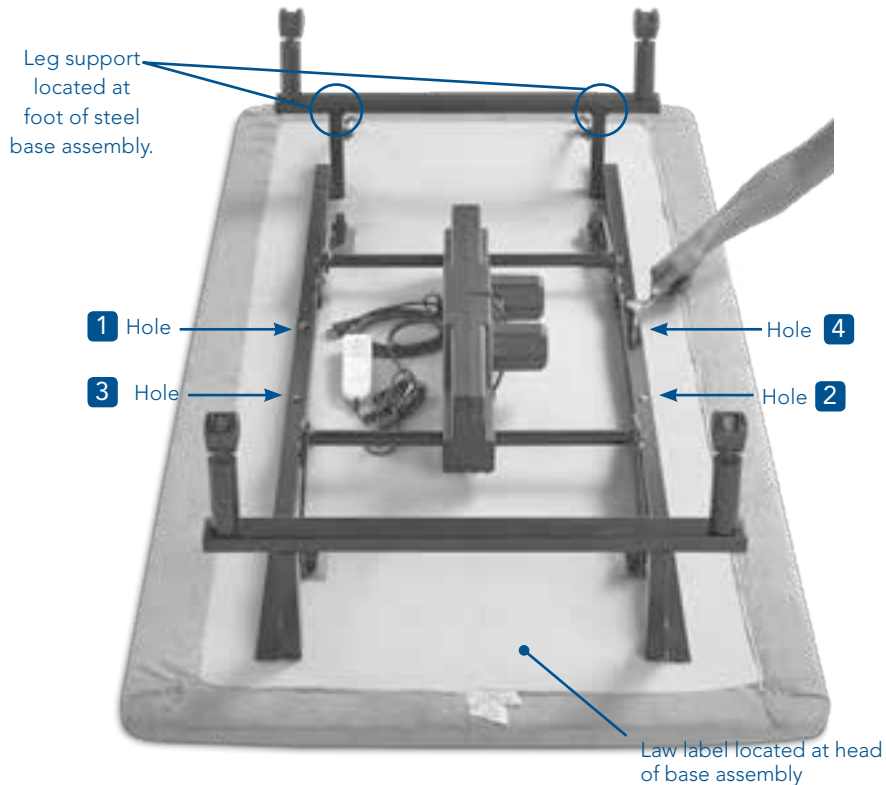
		Full/Queen	King/Cal. King FlexTop®	Split King
Hand Control		1	1 <small>(2 included with FlexTop®)</small>	2
Wrench		1	1	1
Bolt		8	16	16
Leg Support Assembly		2	4	4
Plastic End Cap		4	8	8
Bushing		2	4	4
5-inch Leg		4	8	8
Caster		4	8	8
DC Connector Cable		0	1	0
Mattress Retainer Bar <small>Zip-tied to frame</small>		1	2	2
Bed Straps		0	2	2

7 Remove Base Assembly

- Using the cross frame, carefully remove the steel base assembly from the box.

CAUTION: To avoid injury, use at least two people to lift the steel base assembly from the box.

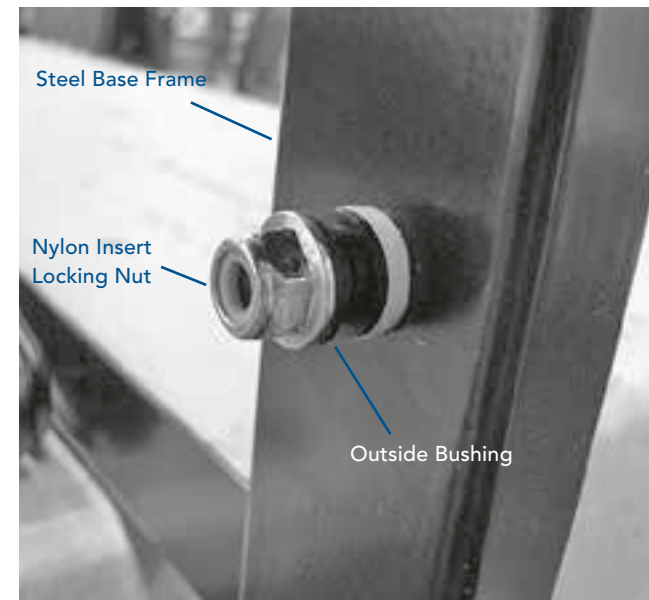
- Place the steel base assembly onto the deck assembly with the leg support opposite the law label.
- Align the 4 holes in the steel base assembly with the 4 holes in the deck assembly.
- Insert 4 bolts into the deck assembly.
- Hand tighten the 4 bolts.



8 Prepare Leg Support Assemblies

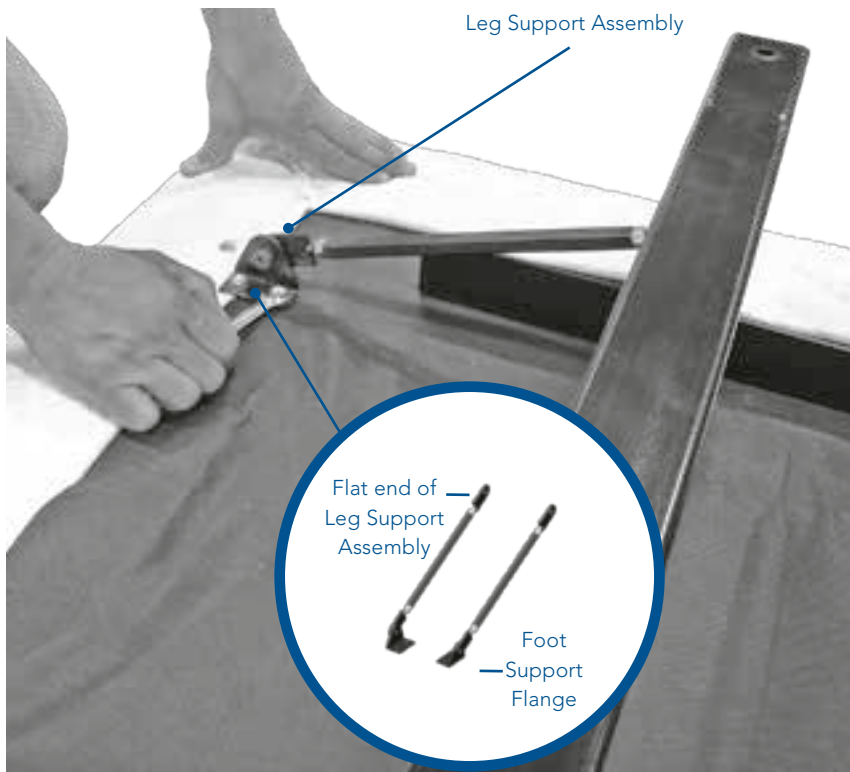
- Using the wrench, remove the 2 nylon insert locking nuts and outside bushings.

NOTE: Retain the nylon locking nut and outside bushing for step 10.



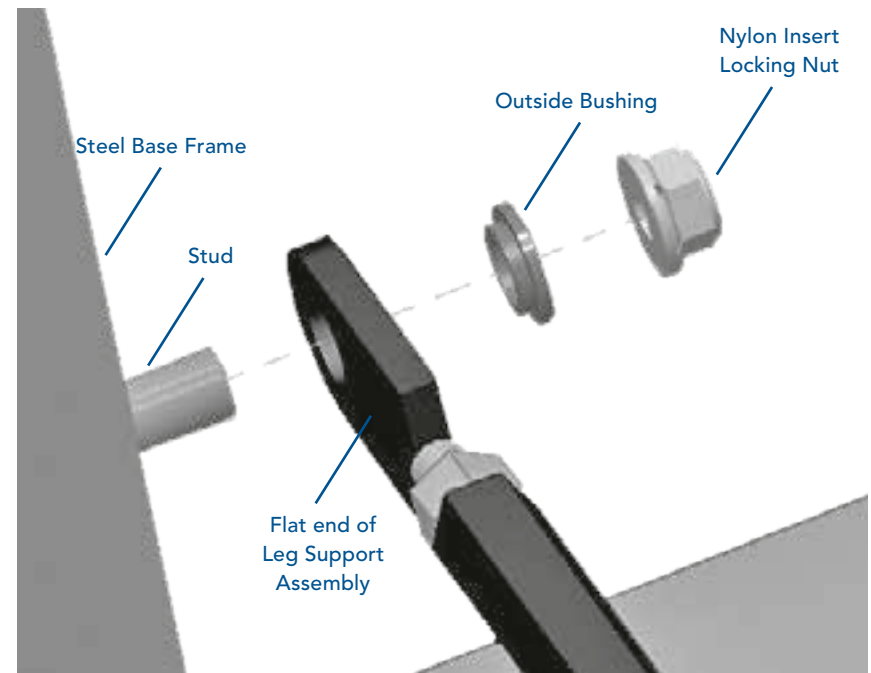
9 Install Leg Support Assemblies

- Align the 2 holes in the leg support assembly with the 2 holes in the base.
- Insert 2 bolts into the holes.
- Hand tighten the 2 bolts.
- Following the instructions above, install the second leg support assembly on the opposite side of the base.



10 Install Leg Support Assemblies (continued)

- Attach the flat end of the leg support assembly to the stud in the steel base assembly.
- Place the outside bushing (from step 8) onto the stud with the large side of the bushing facing outward.
- Hand tighten the nylon insert locking nut.
- Repeat the above steps for the opposite side.

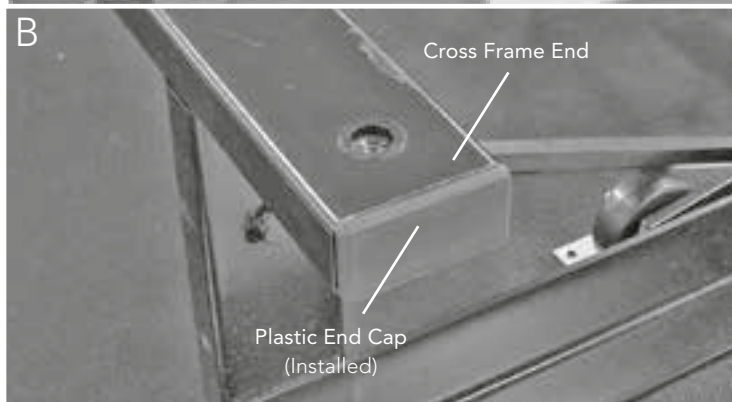
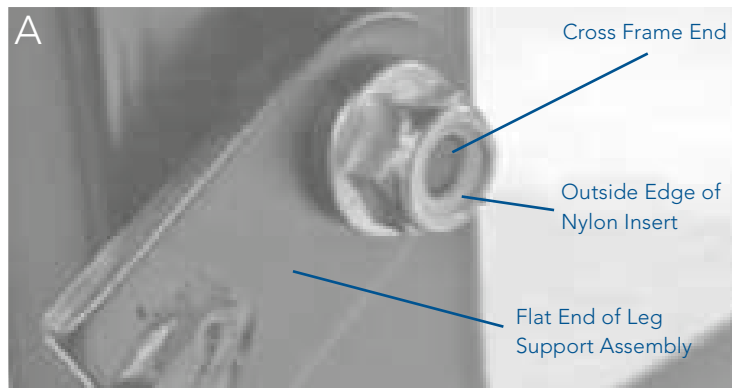


11 Tighten Bolts and Install Frame End Caps

- Using the wrench, firmly tighten the 8 bolts in the base assembly.
- Using the wrench, tighten the 2 nylon insert locking nuts.

NOTE: The end of the stud is indented approximately 1/16" from the edge of the nylon insert nut (see photo A).

- Insert plastic end caps into each of the 4 cross frame ends.



12 Install Legs

- Align the stud of the leg with the threaded hole in the cross bar.
- Turn the leg clockwise until the leg makes contact with the cross bar.

NOTE: Make sure that the leg is securely tightened.

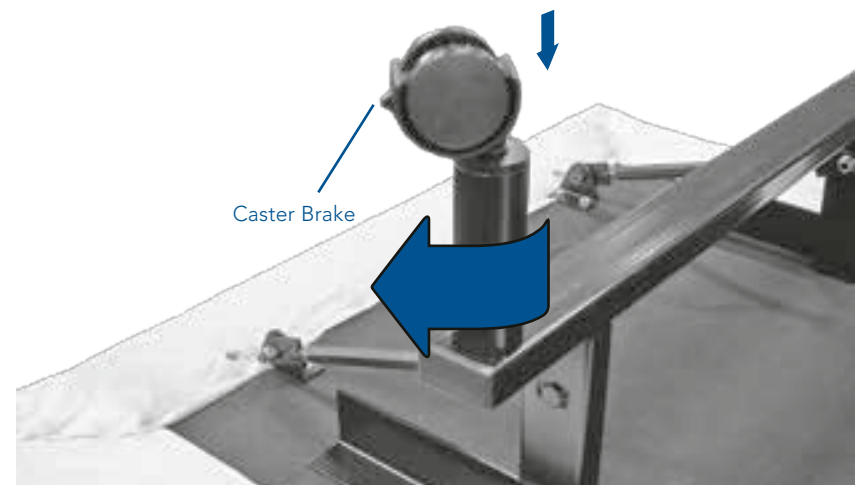
- Insert a caster into the end of the leg.
- Repeat the above steps for the remaining legs.

CAUTION: To avoid injury, make sure that the caster brake is engaged once the sleep set is in position.

- Full and Queen sizes may skip to step 17.

13 For All King Size Models: Assembly of Second Adjustable Base

- Repeat steps 1–12 before proceeding to step 14.



14 King, Cal. King and FlexTop® King Bases Only: Install Connector Cable

- Align the head end of one base with the head end of the second base.
- Position the bases side by side, about 2 feet apart.
- Lift the outside long edge of one base so that it rests on its long edge.
- Lift the outside long edge of the second base so that it rests on its long edge. The flat sides of the bases should face each other.

CAUTION: To avoid injury, use at least two people to turn the bases.

CAUTION: Injury can occur if base tips over. Do not bump base during assembly. Keep children and pets away.

- Locate the base with the wired hand control.
- Unplug the hand control and set aside.
- Plug the DC connector cable plug into the insertion receptacle on one of the motors.
- Plug the second DC connector cable plug into the insertion receptacle on the other motor.
- For King and Cal. King models, insert the DC wired hand control plug into the connector receptacle.
- For FlexTop bases, insert the second DC wired hand control plug into the dual DC connector cable receptacle.
- Turn one of the bases to its right side up position.

CAUTION: To avoid injury, use at least two people to turn the base.

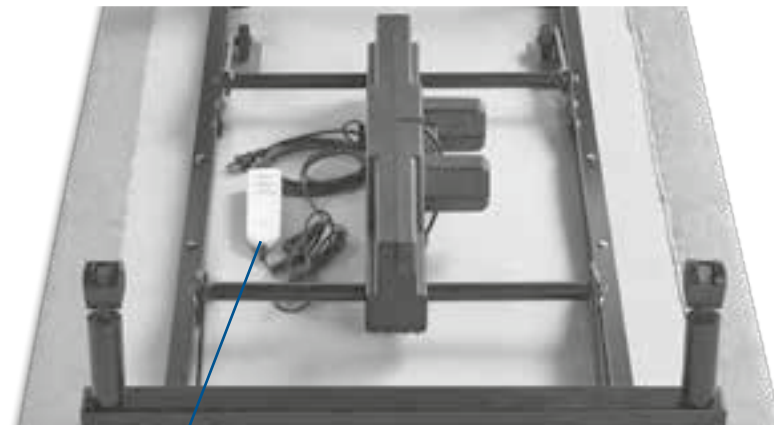
NOTE: Make sure there is enough room between the two bases for the second base to be turned to its right side up position.

- Turn the second base to its right side up position.

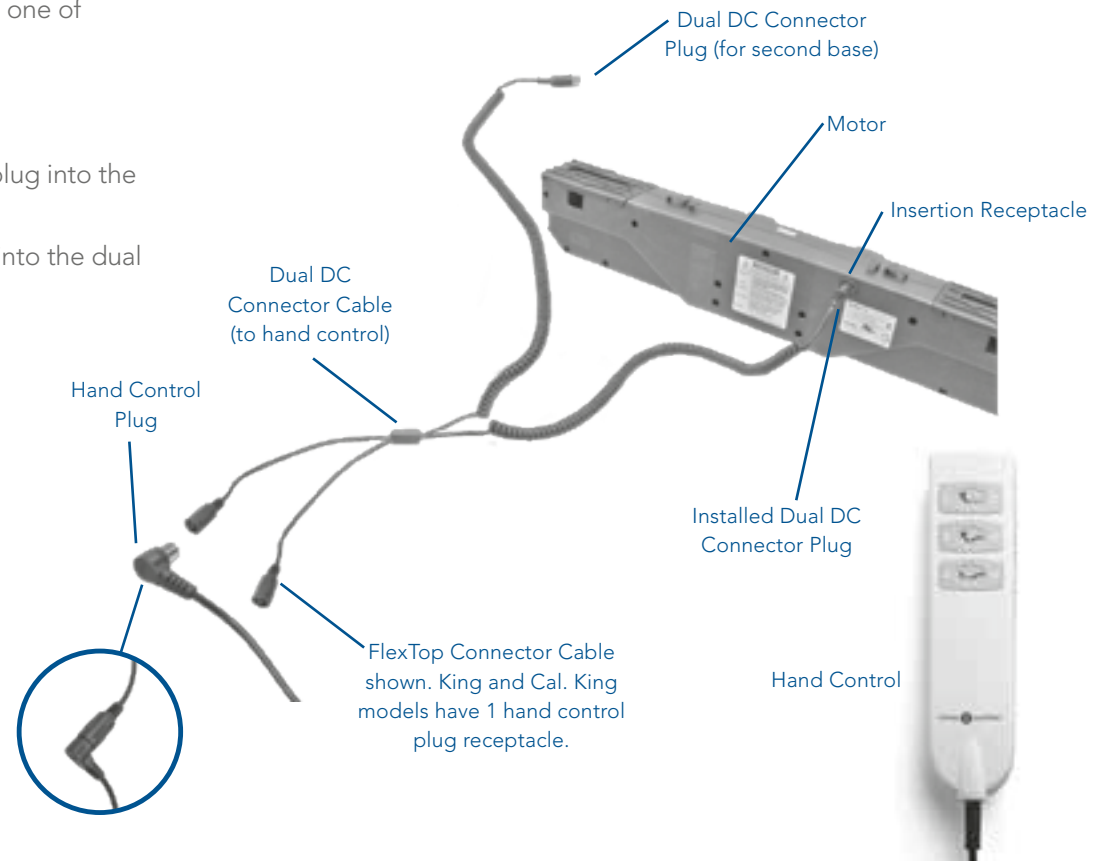
CAUTION: To avoid injury, use at least two people to turn the base.

- Push the bases together.
- Align the head and foot ends of the bases.
- Plug the power cord into a wall outlet.

NOTE: Make sure that the power and hand control cords are not obstructed.



Location of Hand Control



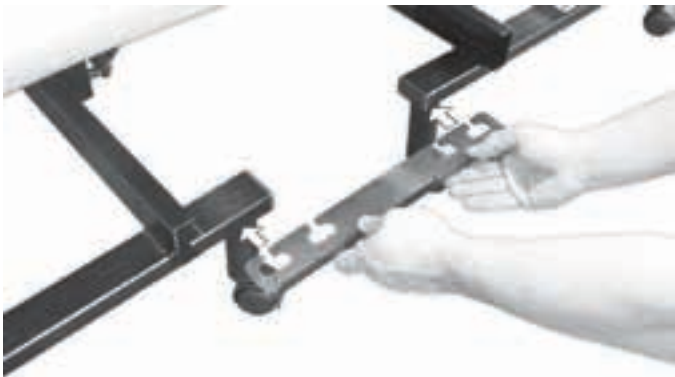
15 Insert Spacer Disks

- Insert spacer disks on the outside of the bed assembly at the head and foot.



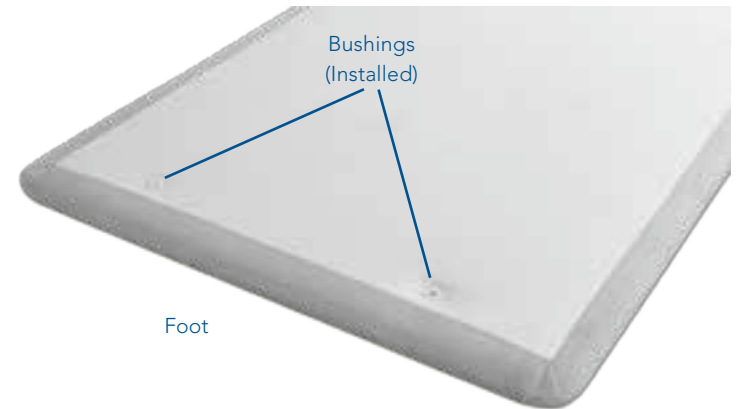
16 For All King Size Models: Install Bed Straps (optional, recommended)

- Loosen inside legs slightly (at the head and foot of the bed).
- Slip bed strap onto the two inside legs at the head of the bed, then tighten securely.
- Repeat with second bed strap and inside legs at the foot of the bed.



17 Install Retainer Bushings

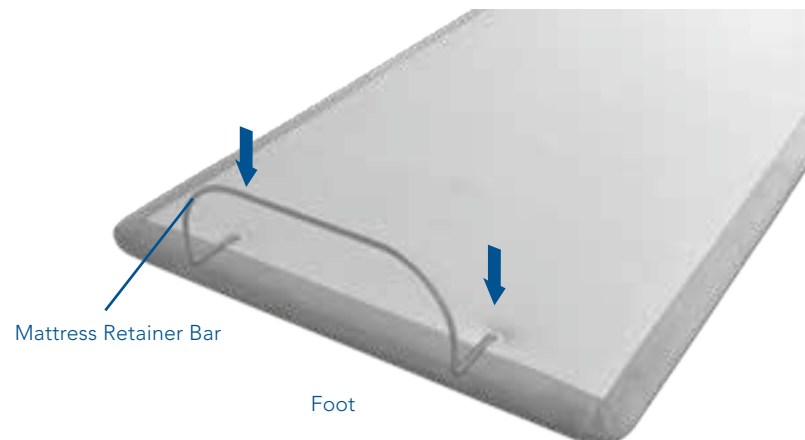
- Press 2 mattress retainer bushings into each base.



18 Install Mattress Retainer Bar

- Insert a mattress retainer bar into the bushings of each base.

NOTE: The retainer bar will sit firmly against the deck.



Adjustable Base Hand Control Function

Head Up Button

Press and hold to raise the head section.

Head/Foot Up Button

Press and hold to raise the head and foot sections simultaneously.

Foot Up Button

Press and hold to raise the foot section.

Head Down Button

Press and hold to lower the head section.

Head/Foot Down Button

Press and hold to lower the head and foot sections simultaneously.

Foot Down Button

Press and hold to lower the foot section.

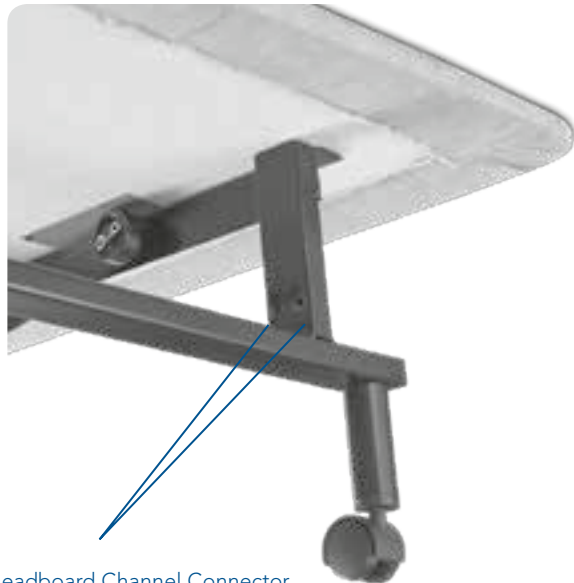


Headboard Bracket Assembly (optional)

1 Install Optional Headboard Brackets

NOTE: Headboard brackets are only needed for non-freestanding headboards.

- Depress the head up button on the hand control to raise the head section of the bed.
- Locate the headboard bracket assembly kit. On one side of the bed base frame, locate two holes for headboard channel connector mounting.

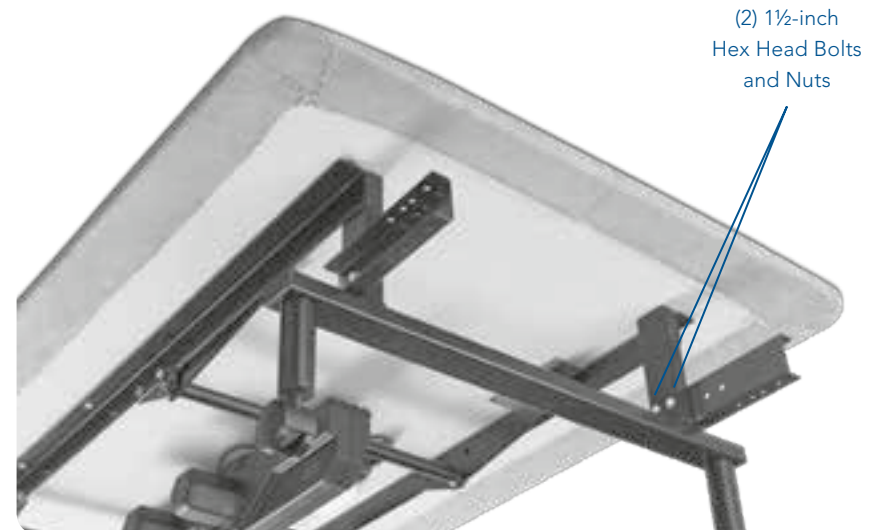
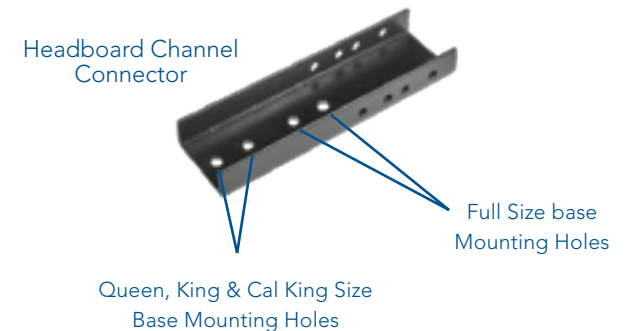


(2) Headboard Channel Connector Mounting Holes

2 Position Headboard Channel Connector

NOTE: For FlexTop® King beds, use mounting holes closest to the end of the channel connector.

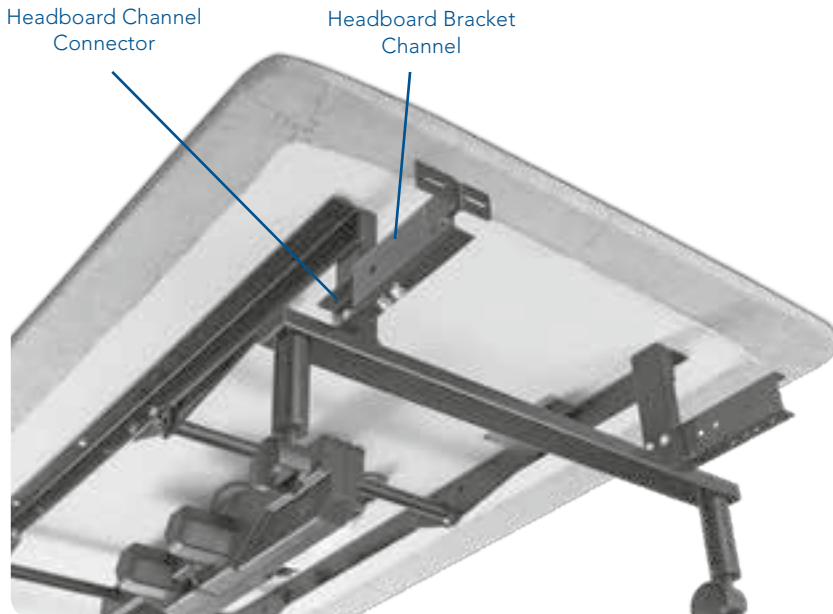
- Position the headboard channel connector so the flat side is flush against the bed base frame. Attach the headboard channel connector to the bed base frame using two 1½-inch hex head bolts/nuts.



(2) 1½-inch Hex Head Bolts and Nuts

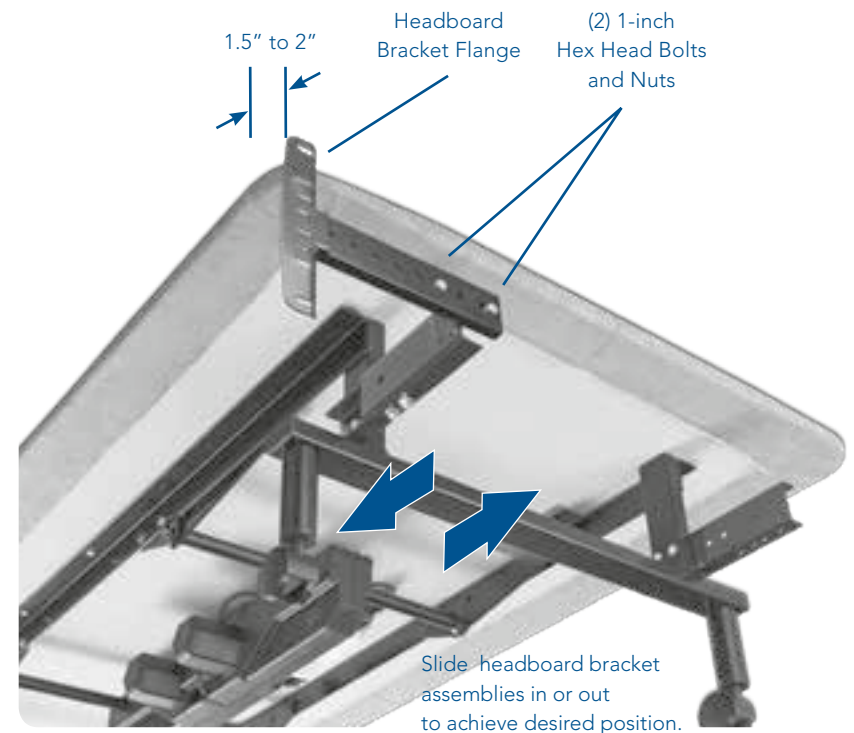
3 Attach Headboard Bracket Channel

- Using two 3-inch carriage bolts/nuts, attach one headboard bracket channel to one headboard channel connector. Hand-tighten bolts/nuts (loosely) to allow adjustment of the headboard bracket channels.



4 Attach Headboard Bracket Flange

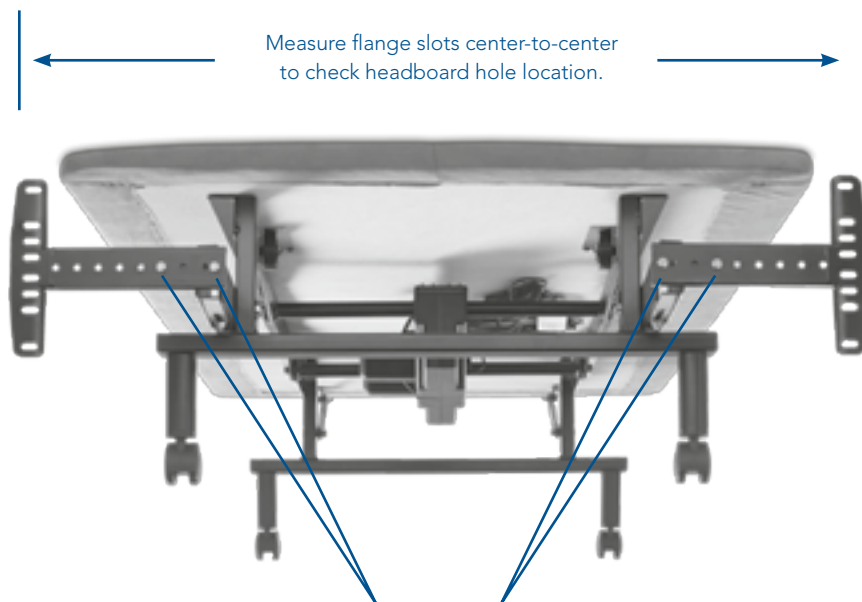
- Attach one headboard bracket flange to one of the headboard bracket channels with two 1-inch hex head bolts/nuts.
- Repeat on the other side to attach the other headboard bracket flange.
- Slide headboard bracket assemblies (in or out) to achieve a distance of 1½ inches (38.1 mm) to 2 inches (50.8 mm) between the edge of the bed base and the headboard bracket flanges.



5 Adjust and Secure Headboard Bracket

- Measure the distance (center to center) between the mounting holes on the headboard.
- Measure the center to center distance between the mounting slots of the headboard bracket flanges.
- Adjust the headboard bracket flange so that its distance is the same as the width of the headboard.
- Use a wrench to tighten the 3-inch carriage bolts on both headboard bracket channels.

NOTE: If adjustment is required, repeat the above steps.



Measure flange slots center-to-center to check headboard hole location.

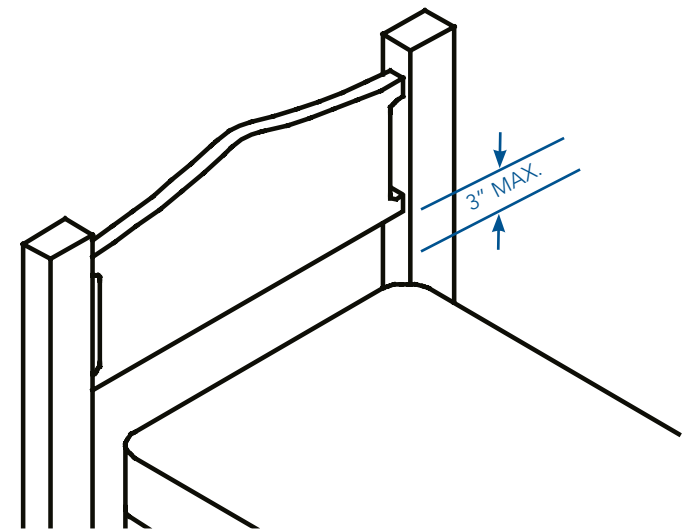
Remove 1-inch hex head bolts and relocate flanges to achieve center-to-center distance required for headboard mounting holes.

6 Adjust and Secure Headboard Bracket

- Securely install the headboard following the manufacturer's instructions.

CAUTION: Entrapment hazard. The bottom of the headboard cross member must be positioned so that there is no more than 3 inches (76.2 mm) between the headboard and the top of the mattress.

Do not exceed 3 inches (76.2 mm) in order to avoid a person or pet being caught in the space (referenced below) while the bed is in motion. Failure to follow these instructions could result in serious personal injury or death.



CAUTION: Headboard cross member location must not exceed 3 inches (76.2 mm) from the top of the mattress.

Advisory

IMPORTANT: READ THE FOLLOWING INFORMATION CAREFULLY BEFORE USING THIS PRODUCT

This Sleep Number® adjustable base has been quality engineered with design features to ensure comfort and safety when operated properly.

ELECTRICAL GROUNDING

This product is equipped with a polarized or grounded electrical power cord. The power cord will only fit into a grounded electrical surge protection device (not included) or a grounded electrical outlet.

WARRANTY WARNING

Do not attempt to open the motor or hand control. The product warranty will be void if these components are tampered with. Do not attempt to alter component wiring or adjust or modify the structure of the product in any way or the warranty will be void. Any repair or replacement of adjustable bed parts must be performed by authorized personnel.

LUBRICATION

This product is designed to be maintenance free. The lift motors are permanently lubricated and sealed—no additional lubrication is required. Do not apply lubricant to lift motor lead screws or any nylon nuts or the bed may inadvertently creep downward from the elevated position.

PRODUCT RATINGS

The bed lift motors are not designed for continuous use. Reliable operation and full life expectancy will be realized as long as the lift motors do not operate any more than 5 minutes over a 30 minute period, or approximately 15% duty cycle. Any attempt to circumvent or exceed product ratings will shorten the life expectancy of the product and may void the warranty.

The recommended weight restrictions for Sleep Number® adjustable bases are Full, Queen: 450 lb (204 kg); King, Cal King, Split King, FlexTop® King: 900 lb (408 kg). The bed will structurally support the recommended weights distributed evenly across the head and foot sections. This product is not designed to support or lift this amount in the head or foot sections alone.

NOTE: Exceeding the recommended weight restrictions could damage the

adjustable bed and void the warranty. For best performance, consumers should enter and exit the adjustable bed with the bed in the flat (horizontal) position.

DO NOT SIT ON THE HEAD OR FOOT SECTIONS WHILE IN THE RAISED POSITION.

UL (Underwriters Laboratories) listed components.
CFR 1633 approved for use with most mattresses.
Made in USA.

SMALL CHILDREN/PETS WARNING

After the bed is unboxed, immediately dispose of packaging material as it can smother small children and pets. To avoid injury, children or pets should not be allowed to play under or on the bed. Children should not operate this bed without adult supervision.

HOSPITAL USE DISCLAIMER

This bed is designed for in-home use only. It is not approved for hospital use and does not comply with hospital standards. Do not use this bed with tent-type oxygen therapy equipment or use near explosive gases.

FCC COMPLIANCE

Electrical components are rated for 110/120 voltage, 60Hz, 3.9 amp. Components meet Class B digital device rating (Part 15, FCC rules) for residential use.

RAISING/LOWERING MECHANISMS

The raise/lower feature will emit a minimal humming sound during operation. This is normal. During operation, the lift arm wheels make contact with the platform support of the bed. This applies slight tension on the moving components and resonance is reduced to a minimum level. If excessive noise or vibration is experienced, reverse the movement action (up or down) of the bed with the hand control. This should realign the bed's activating mechanisms to the proper operational position.

Base Troubleshooting

In the event the Sleep Number® adjustable base fails to operate, investigate the symptoms and possible solutions provided below.

No features of the adjustable bed will activate.

- Verify that the power cord is plugged into a working, grounded electrical outlet. Test outlet by plugging in another working appliance.
- Unplug the power cord, wait 30 seconds and plug it in again to reset electronic components.
- The electrical circuit breaker may be tripped; check the electrical service breaker box to verify.

Head or foot section will elevate, but will not return to the flat (horizontal) position.

- The bed mechanism may be obstructed. Elevate bed and check for obstruction. Remove obstruction.
- The head section may be too close to the wall.





Help is just a click or phone call away

If you ever have product questions or need assistance obtaining optimal comfort, please visit us at:

mygoldservice.com

or call

1.800.790.9298

Representatives are available
(Central Standard Time):

Monday–Friday 8 a.m. – 8 p.m.

Saturday 8:30 a.m. – 5 p.m.

Sunday Closed

Warranty: For warranty details please visit sleepnumber.com/warranty or call 1.800.472.7185.

sleep  number.

9800 59TH AVENUE NORTH
MINNEAPOLIS, MN 55442



122370

11/16
207716



Upholstered headboard and surround not included.
©2016 Select Comfort. SLEEP NUMBER, SELECT COMFORT, SLEEPIQ and the Double Arrow Design are registered trademarks and IT is a trademark of Select Comfort Corporation.