



sleep  number®

Adjustable Base Assembly Instructions



Welcome and Congratulations

Congratulations on your purchase of a SLEEP NUMBER® bed! You're about to join the 8 million people who've traded their innerspring mattresses for the most innovative sleep surface ever. The technology behind the *Sleep Number* bed is one that recognizes the unique sleeping needs of every individual, which vary according to comfort preference, body type, height, weight, sleeping position, and other health and lifestyle factors. By creating a fully personalized sleep surface, your new *Sleep Number* bed offers you customized comfort that can significantly improve your sleep quality.

You'll enjoy years of the latest generation of sleep comfort and technology in your *Sleep Number* bed. Our commitment to quality is at the heart of our manufacturing process and every *Sleep Number* bed is designed and crafted in the USA. Our focus on constant innovation, value, and customer satisfaction has repeatedly earned us the Consumers Digest Best Buy award.

We thank you for your purchase and wish you years of personal comfort and restful sleep.

What's Inside

With your new SLEEP NUMBER® adjustable base, you'll enjoy the benefits of better sleep for years to come. In this manual we've included everything you'll need to know for setup, so you can start your Sleep Number® experience tonight. First, you'll need to remove your old bed. Next, we'll guide you through assembling the base step-by-step. And, finally—the best part—you can indulge in the personalized comfort of your *Sleep Number* bed.

Full/Queen Base Assembly.....	pg 4
King/Cal King/Split King Base Assembly.....	pg 12
Hand Control Function.....	pg 21
Headboard Bracket Assembly	pg 22
Troubleshooting	pg 26
Warranty	pg 26

Full/Queen Base Assembly

1 Locate Box 1 and Box 2



2 Cut and Remove Plastic Bands on Box 1

CAUTION: Exercise caution when using sharp tools. The danger of injury is possible if tools are not used properly.



3 Open Box and Remove Packaging

- Open Box 1 to reveal one (1) adjustable base deck assembly and one (1) setup/owner guide
- Remove protective plastic covering from adjustable deck assembly



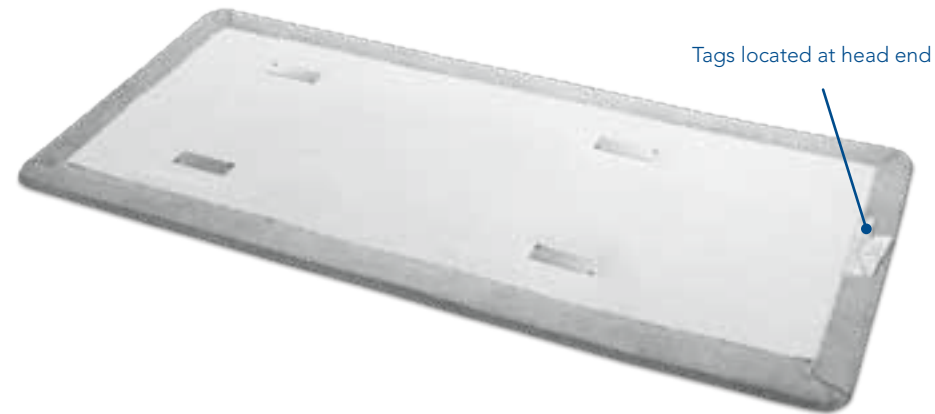
4 Unfold Deck Assembly



Boxes are marked as shown.

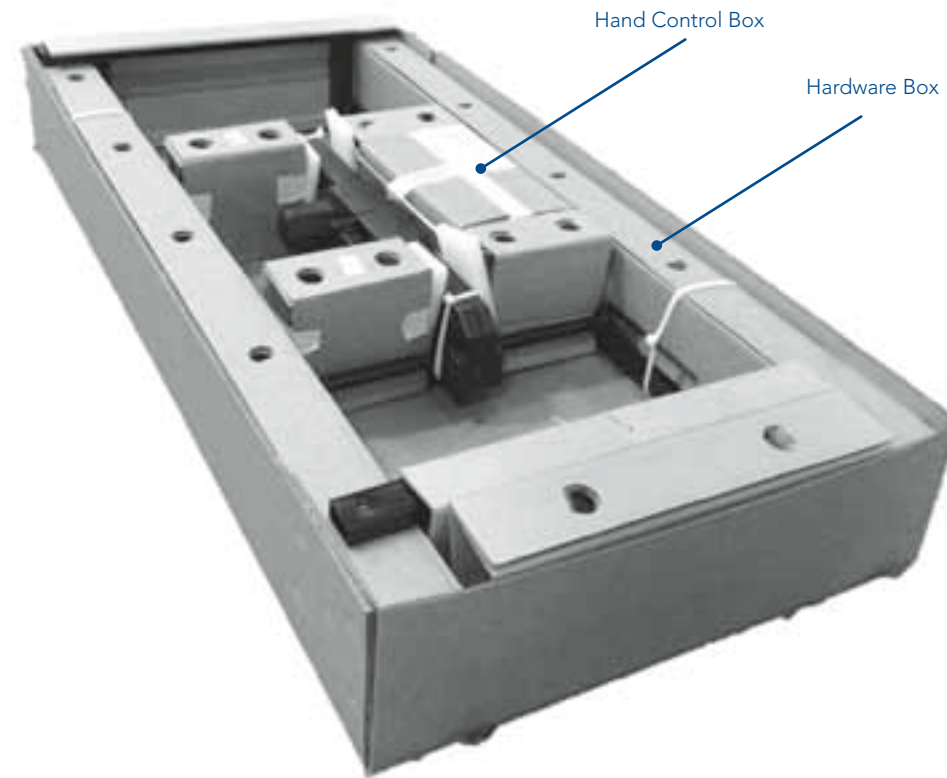
5 Position Deck Assembly

- Bottom side up



6 Cut Plastic Bands and Open Box 2












- Open hardware box and verify contents
- Open hand control box and verify contents
- Cut zip ties and remove edge packing and mattress retainer bar



Boxes are marked as shown.

Parts and Components

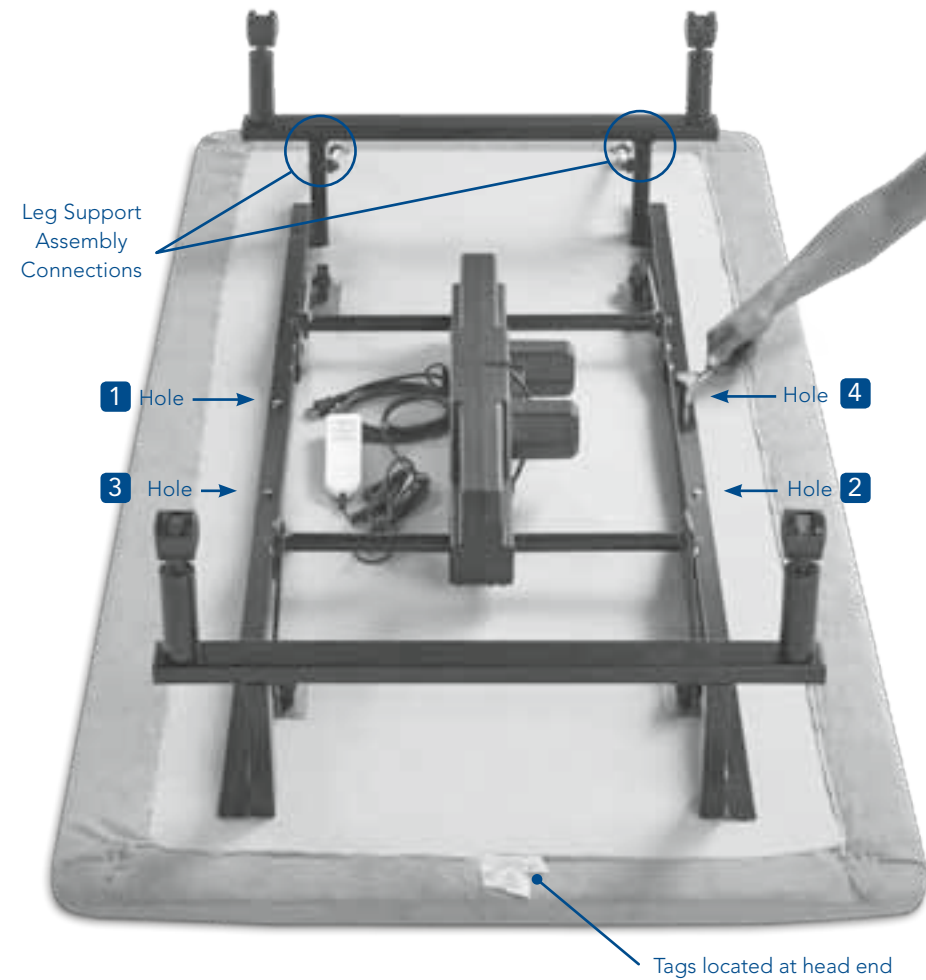
Full/Queen

Hand Control		1
Wrench		1
Bolt		8
Leg Support Assembly		2
Plastic End Cap		4
Bushing		2
7-inch Leg		4
4-inch Leg		4
Caster		4
Headboard Bracket Assembly Kit		2
Mattress Retainer Bar Zip-tied to frame		1

7 Remove Base Assembly From Box

- Carefully remove steel base assembly from box
- Match head end of base assembly (indicated by labels on both components) with head end of deck assembly. Position steel base assembly so four (4) side holes (2 left, 2 right) line up with holes in deck assembly. Insert bolts in diagonal fashion (numerical sequence shown in photo) using wrench included
- Do not tighten

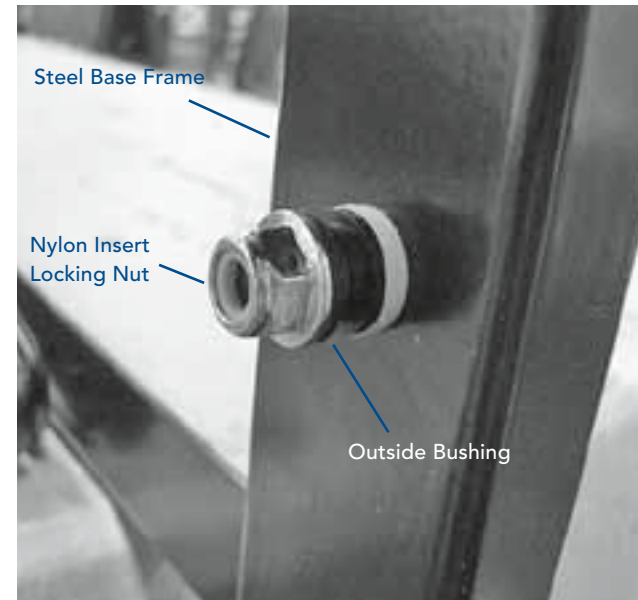
IMPORTANT SAFETY NOTICE: At least two (2) people are recommended for handling and moving adjustable bed base.



8 Prepare Leg Support Assemblies

- Locate leg support assembly connections at the foot end of the adjustable base (see photos at left and below)
- Remove nylon insert locking nuts and outside bushings

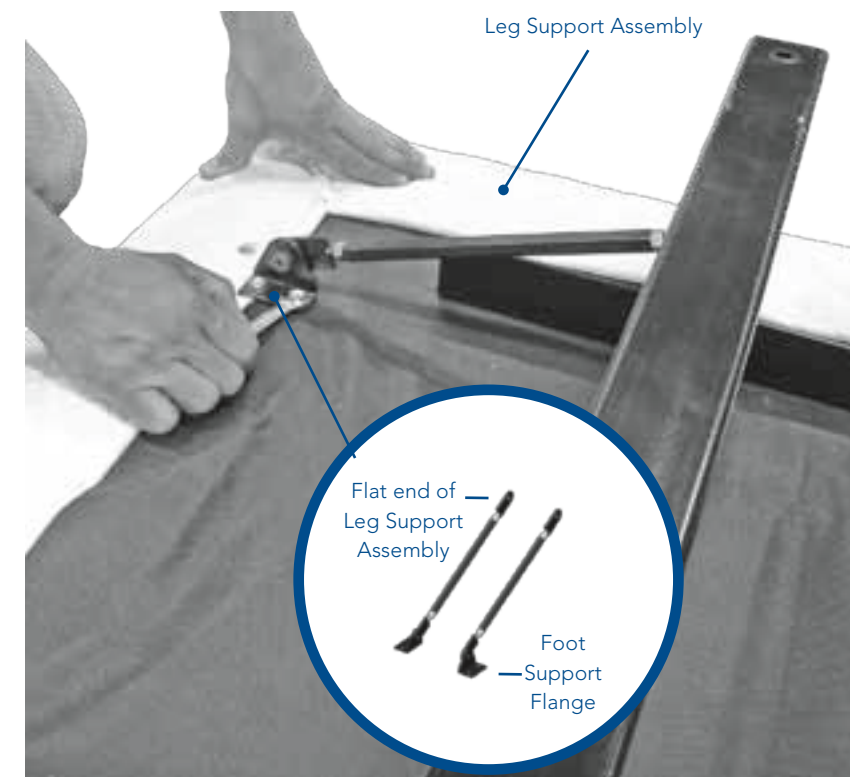
NOTE: Retain hardware for attachment of leg support assemblies.



9 Position Flanges

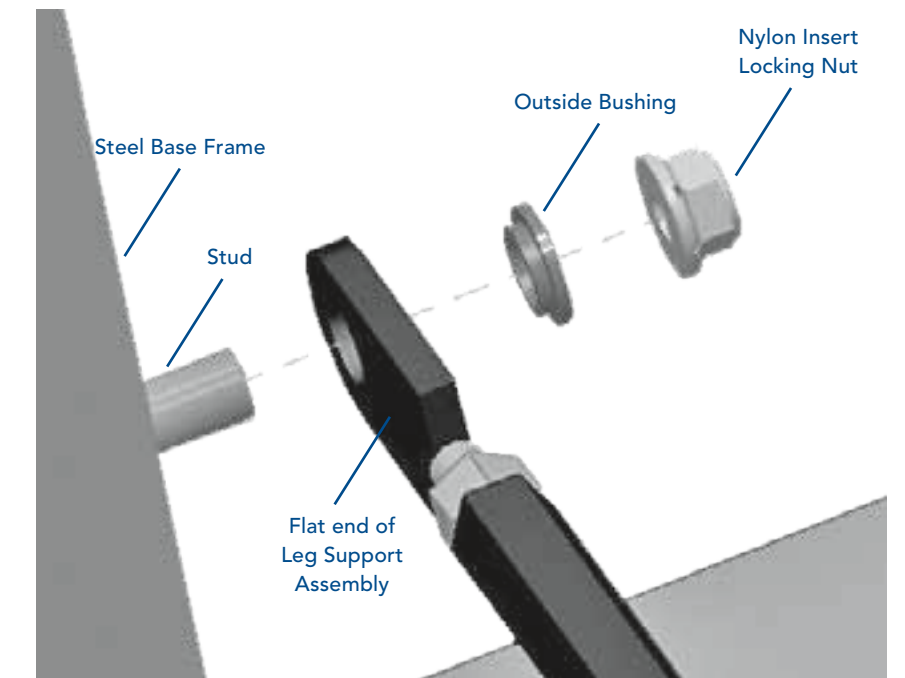
- Position foot support flanges to line up with holes in deck
- Insert mounting bolts in flanges
- Do not tighten

NOTE: Flanges are universal for left or right. They can be turned and manipulated to fit either side of the base.



10 Install Leg Support Assemblies

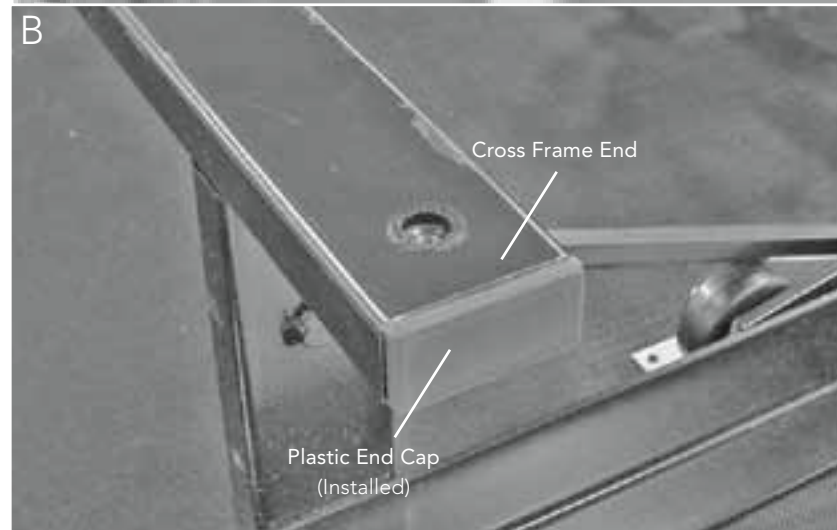
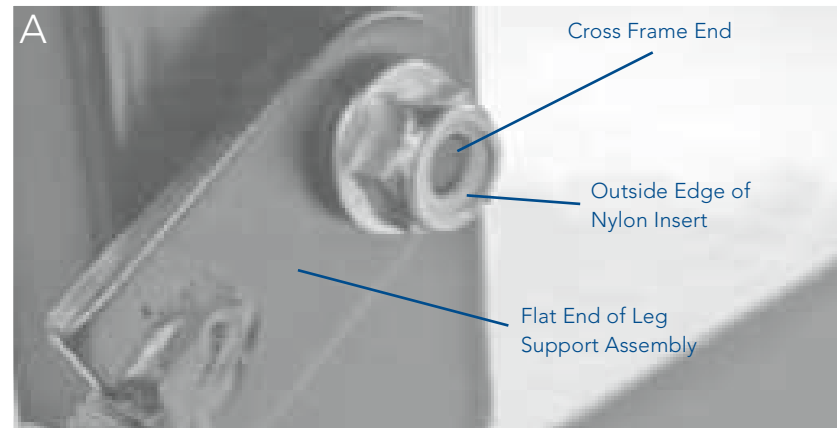
- Install flat end of leg support assembly on stud in steel base assembly
- Reinstall outside bushing and nylon insert locking nut
- Do not tighten
- Repeat for other leg support assembly



11 Tighten Bolts and Cap Frame Ends

- Firmly tighten all eight (8) bolts in base assembly and leg support assemblies. Tighten nylon insert locking nuts on leg support assemblies until snug (end of stud indented approximately 1/16" from outside edge of nylon insert. See photo A)
- Do not overtighten

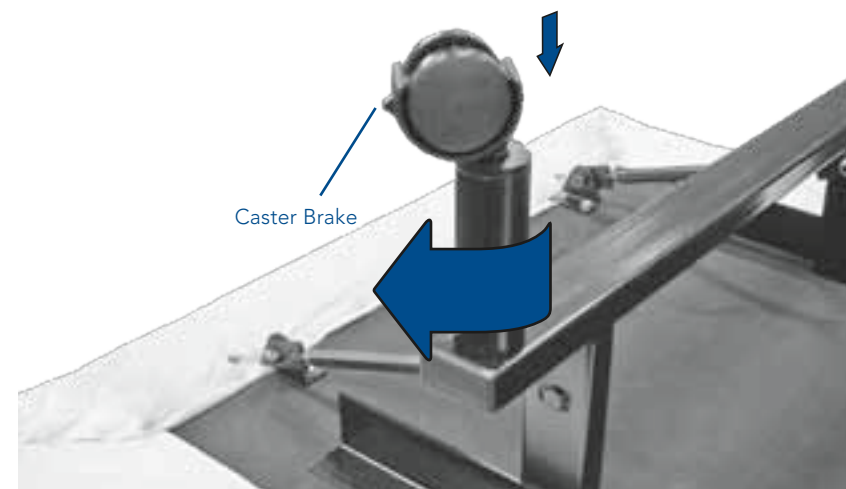
NOTE: Insert plastic end caps into (4) cross frame ends (see photo B)



12 Add Legs

- Your Sleep Number® adjustable base comes with both 4-inch and 7-inch legs. Determine the desired height of your base and screw the appropriate set of legs into the base assembly
- Optional: Insert four (4) casters in ends of legs (casters add 2½ inches to overall base height)

NOTE: Make sure caster brake is engaged once bed is positioned.

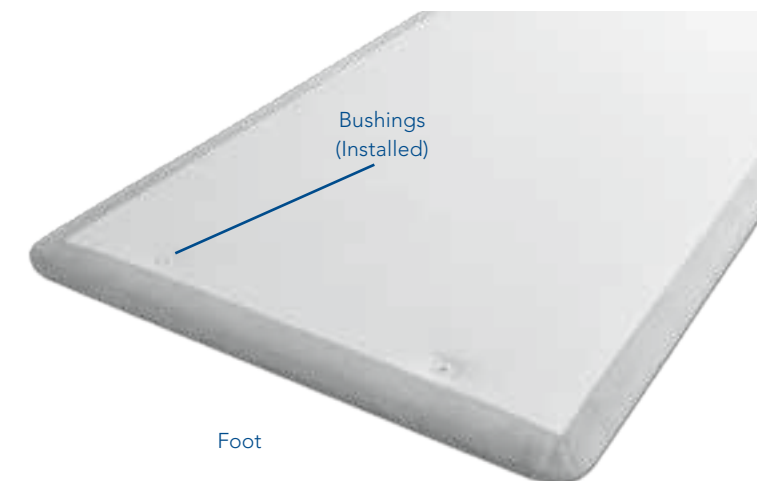


13 Flip Base

- Untie electrical power cord and extend out
- Carefully rotate adjustable base topside-up
- Plug electrical power cord into wall

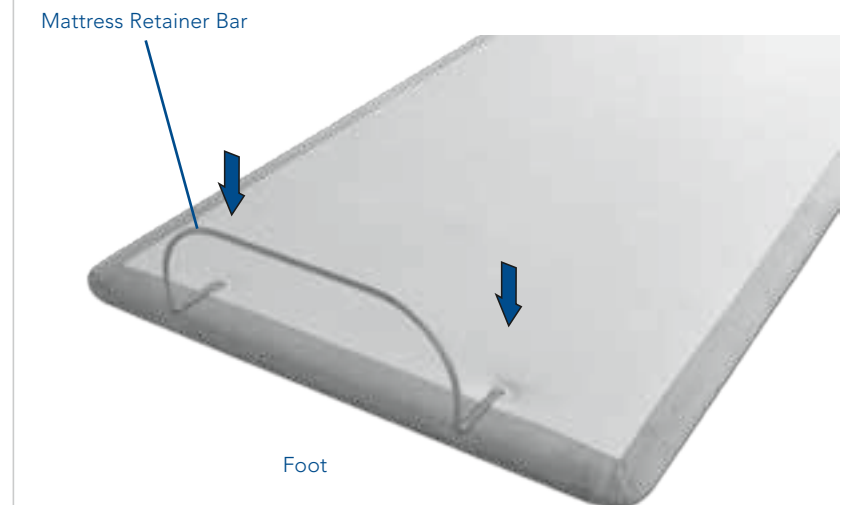
14 Install Bushings

- Install two (2) mattress retainer bushings in locator pin holes by pressing firmly into place



15 Install Mattress Retainer Bar

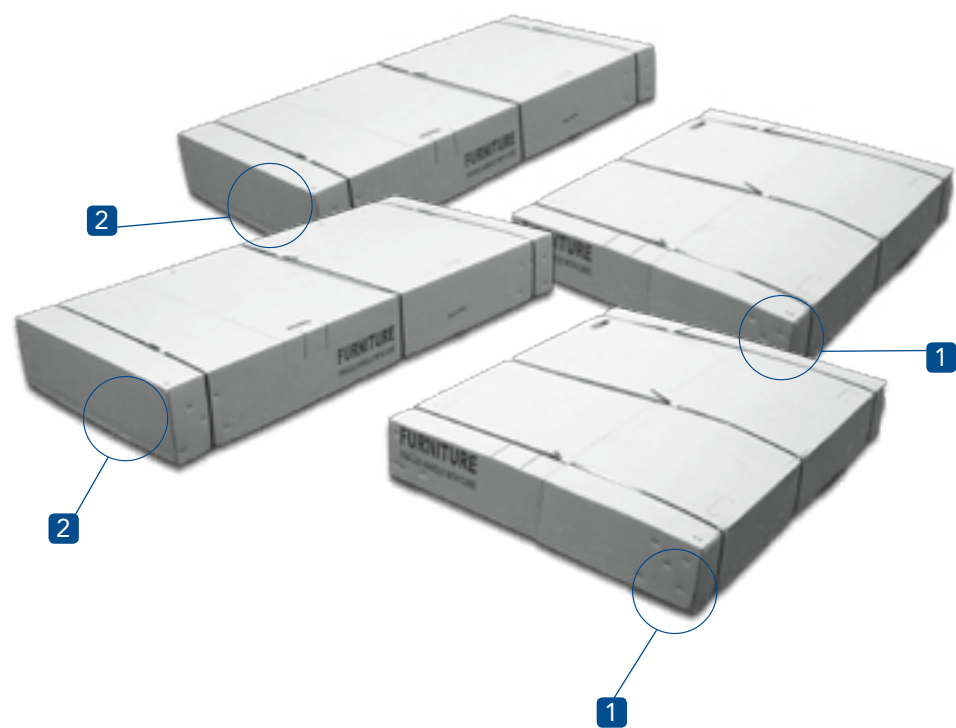
- Insert into bushings and press down until horizontal section is firmly against deck assembly



King/Cal King/Split King Base Assembly

1 Locate Two Box 1s and Two Box 2s

NOTE: You will do steps 1–13 for both bases for King/Cal King/Split King models.



2 Cut and Remove Plastic Bands on Box 1

CAUTION: Exercise caution when using sharp tools. The danger of injury is possible if tools are not used properly.



3 Open Box and Remove Packaging

- Open Box 1 to reveal one (1) adjustable base deck assembly and one (1) setup/owner guide
- Remove protective plastic covering from adjustable deck assembly



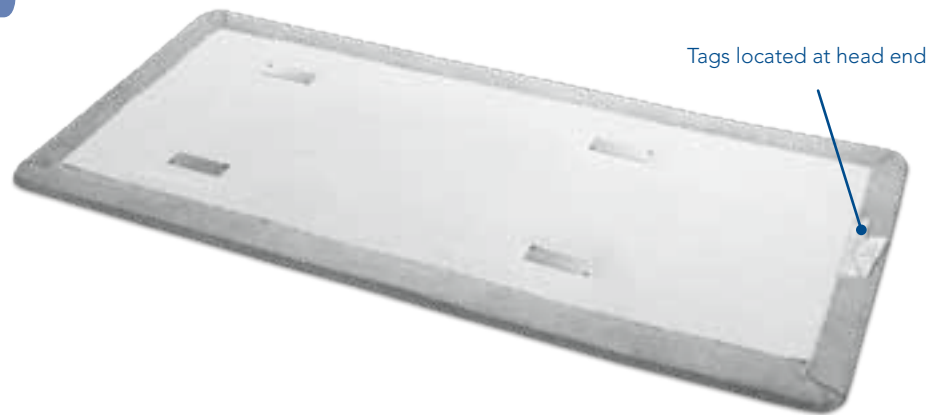
4 Unfold Deck Assembly



Boxes are marked as shown.

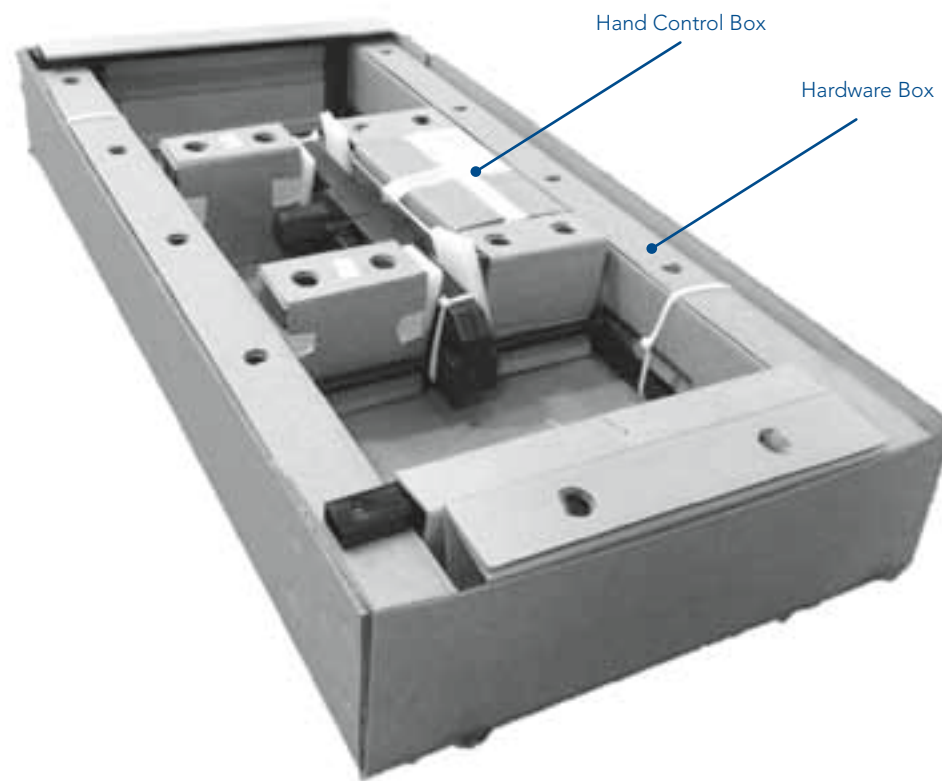
5 Position Deck Assembly

- Bottom side up



6 Cut Plastic Bands and Open Box 2





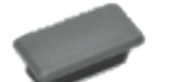







- Open hardware box and verify contents
- Open hand control box and verify contents
- Cut zip ties and remove edge packing and mattress retainer bar



Boxes are marked as shown.

Parts and Components

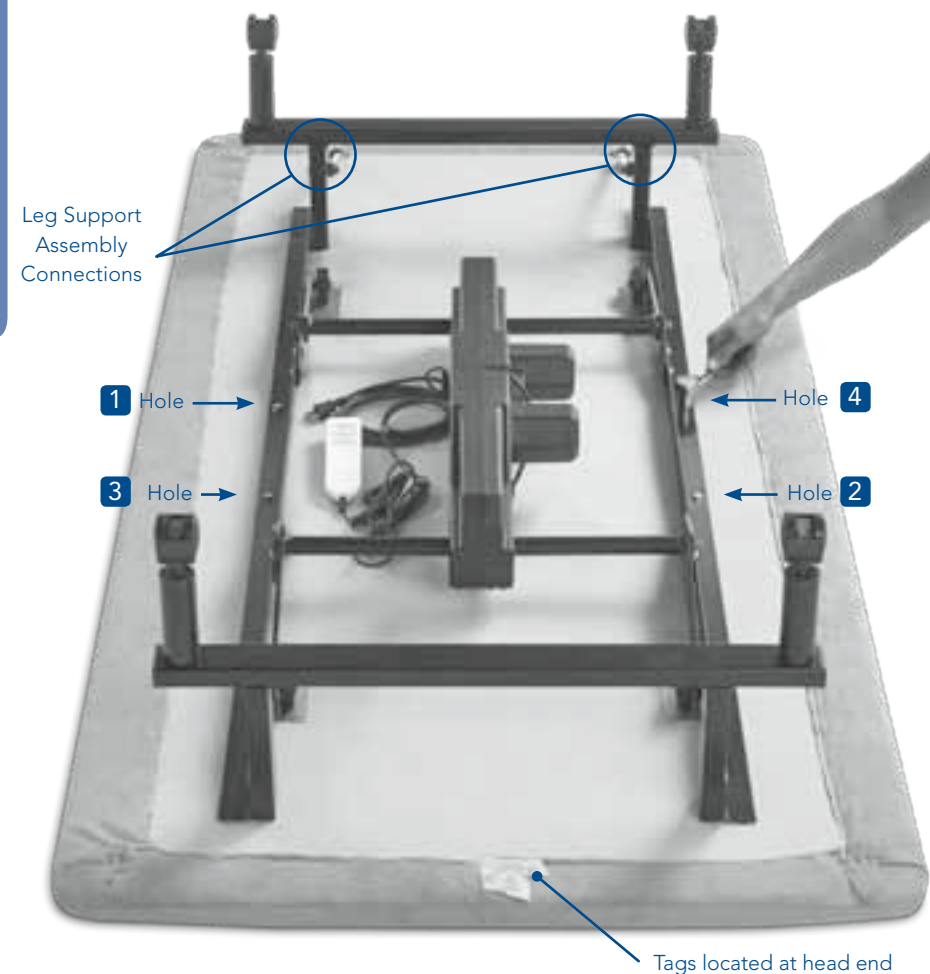
King/Cal King Split King

Hand Control		1	2
Wrench		1	1
Bolt		16	16
Leg Support Assembly		4	4
Plastic End Cap		8	8
Bushing		4	4
7-inch Leg		8	8
4-inch Leg		8	8
Caster		8	8
Headboard Bracket Assembly Kit		2	2
DC Connector Cable*		1	0
Mattress Retainer Bar Zip-tied to frame		2	2

7 Remove Base Assembly From Box

- Carefully remove steel base assembly from box
- Match head end of base assembly (indicated by labels on both components) with head end of deck assembly. Position steel base assembly so four (4) side holes (2 left, 2 right) line up with holes in deck assembly. Insert bolts in diagonal fashion (numerical sequence shown in photo) using wrench included
- Do not tighten

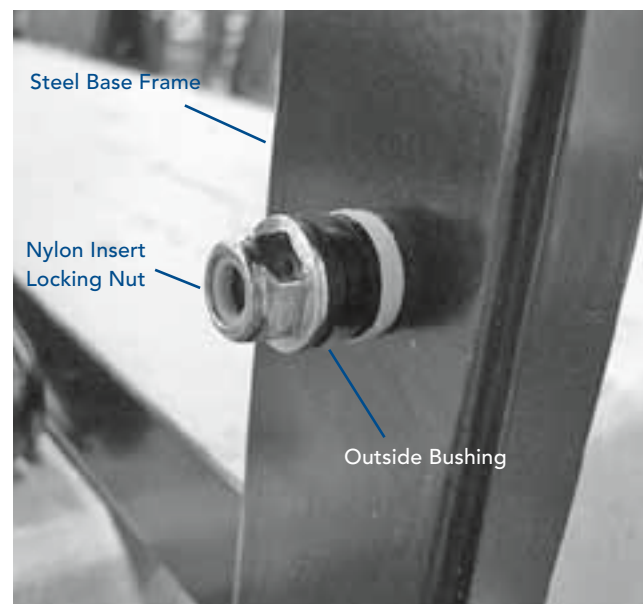
IMPORTANT SAFETY NOTICE: At least two (2) people are recommended for handling and moving adjustable bed base.



8 Prepare Leg Support Assemblies

- Locate leg support assembly connections at the foot end of the adjustable base (see photos at left and below)
- Remove nylon insert locking nuts and outside bushings

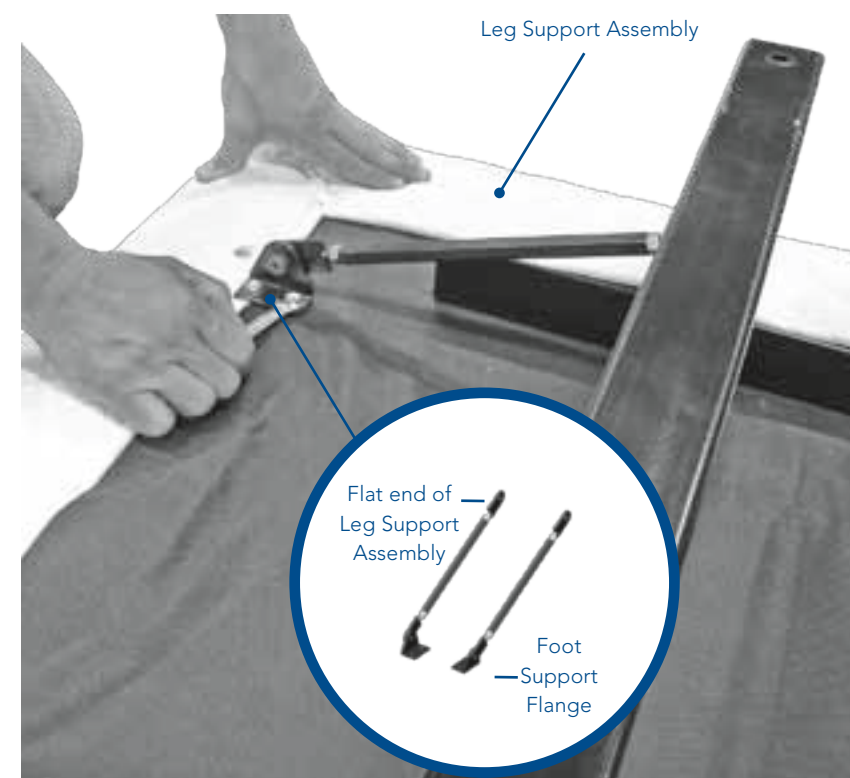
NOTE: Retain hardware for attachment of leg support assemblies.



9 Position Flanges

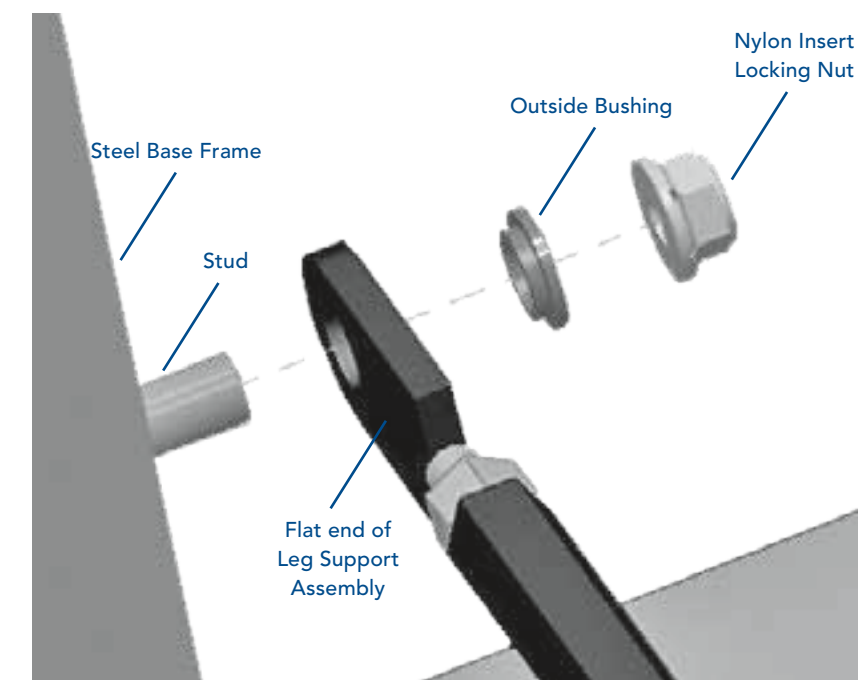
- Position foot support flanges to line up with holes in deck
- Insert mounting bolts in flanges
- Do not tighten

NOTE: Flanges are universal for left or right. They can be turned and manipulated to fit either side of the base.



10 Install Leg Support Assemblies

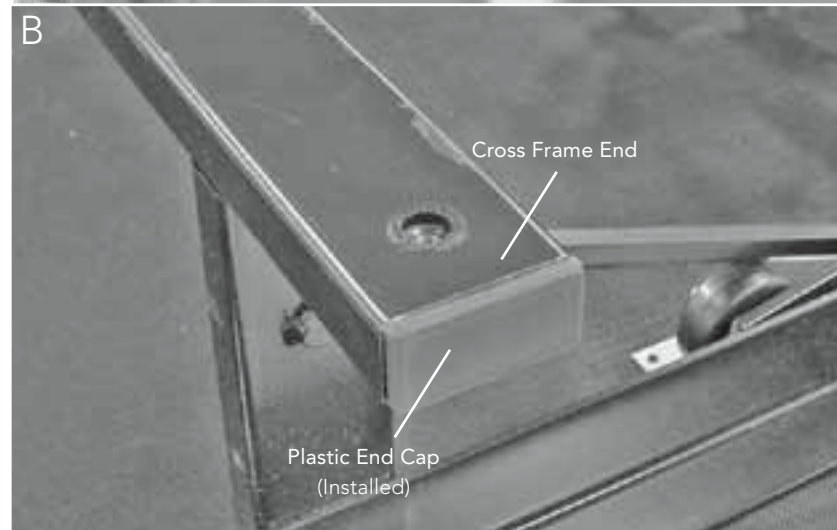
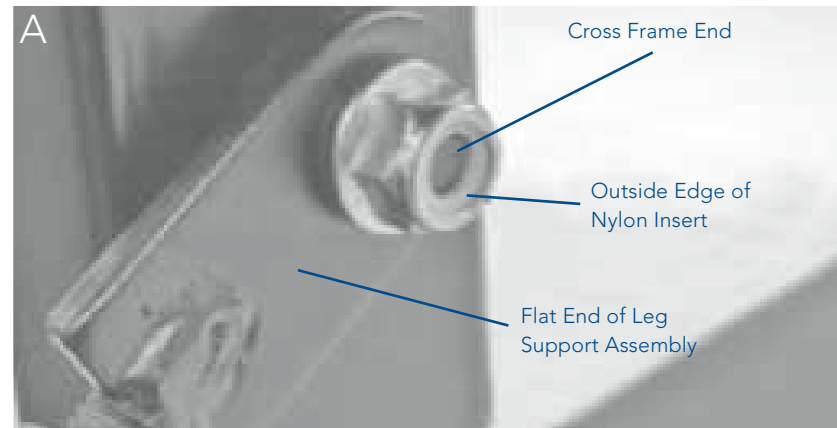
- Install flat end of leg support assembly on stud in steel base assembly
- Reinstall outside bushing and nylon insert locking nut
- Do not tighten
- Repeat for other leg support assembly



11 Tighten Bolts and Cap Frame Ends

- Firmly tighten all eight (8) bolts in base assembly and leg support assemblies. Tighten nylon insert locking nuts on leg support assemblies until snug (end of stud indented approximately 1/16" from outside edge of nylon insert. See photo A)
- Do not overtighten

NOTE: Insert plastic end caps into four (4) cross frame ends (see photo B)



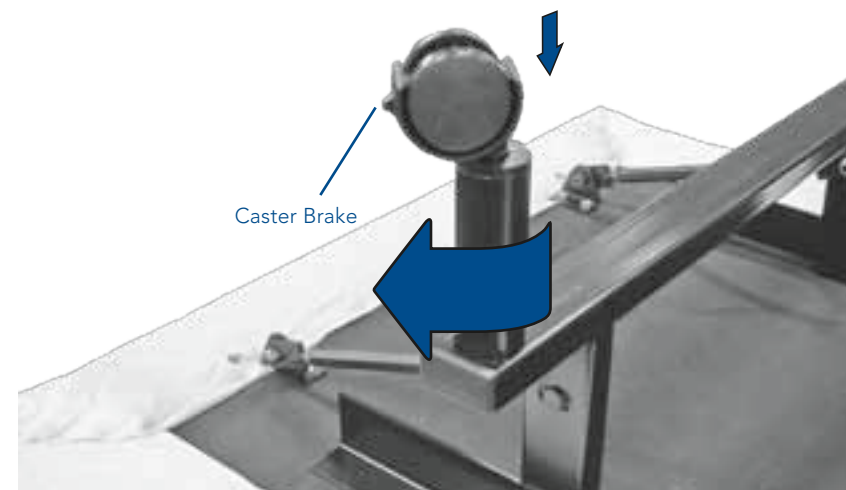
12 Add Legs

- Your Sleep Number® adjustable base comes with both 4-inch and 7-inch legs. Determine the desired height of your base and screw the appropriate set of legs into the base assembly
- Optional: Insert four (4) casters in ends of legs (casters add 2½ inches to overall base height).

NOTE: Make sure caster brake is engaged once bed is positioned.

13 Repeat Assembly for Second Base

- For King and Cal King models, repeat steps 1–12 before proceeding to step 14
- For Split King models, repeat steps 1–12, then proceed to step 15 (skip step 14)

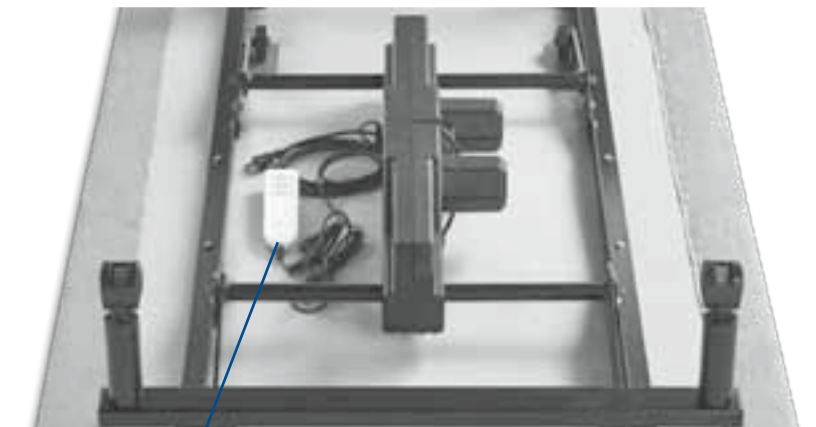


14 Install Connector Cable (King and Cal King models only)

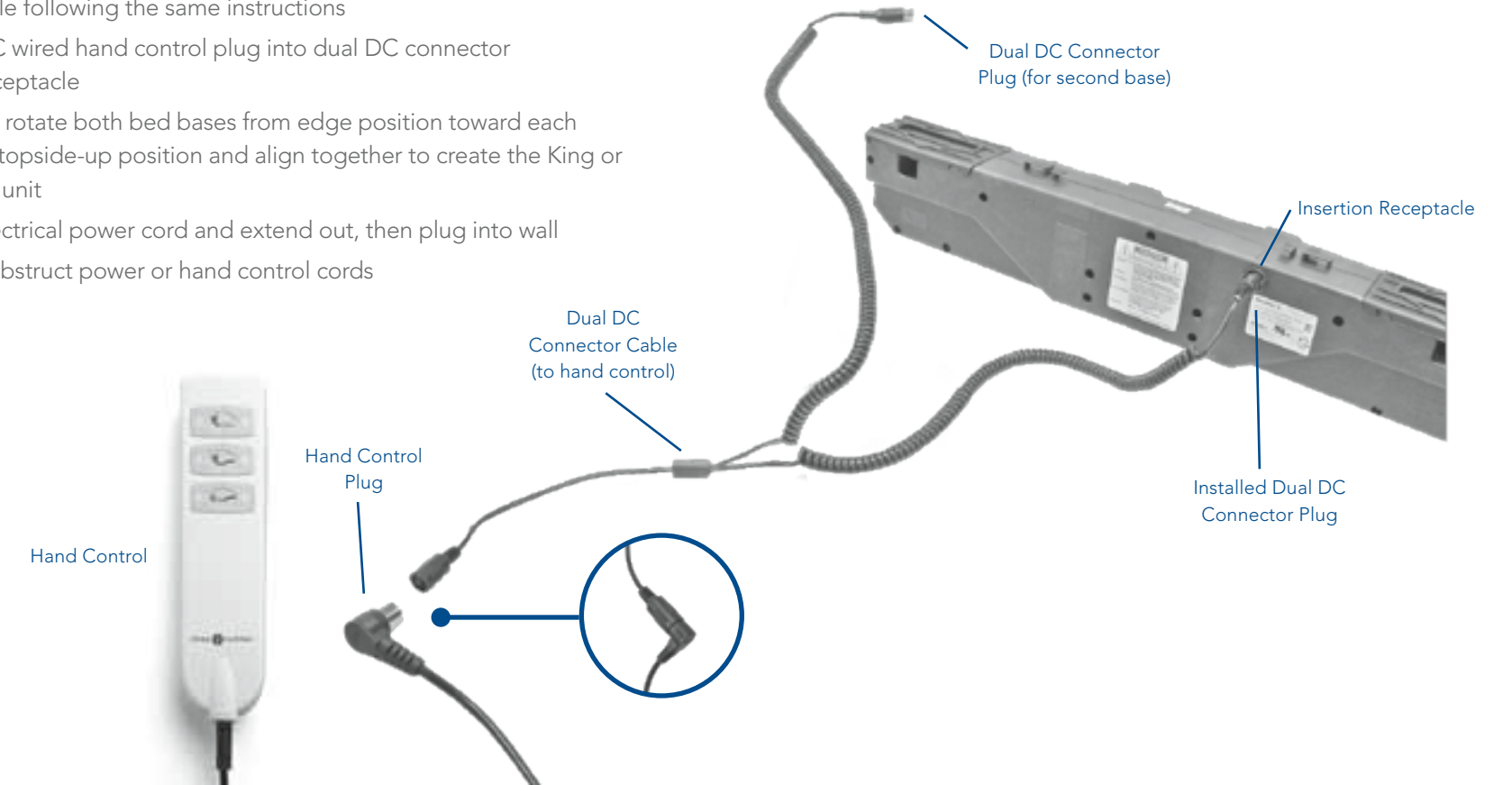
- A DC connector cable connects both bases for operation with one hand control
- Carefully position both bases approximately 2 feet apart on edge, with underside of both bases facing inward. Be sure both bases are oriented the same way (heads together, foot ends together). Locate base equipped with the wired hand control. Unplug hand control and set aside
- Plug first dual DC connector cable plug into the insertion receptacle on the first motor

IMPORTANT SAFETY NOTICE: Insert carefully. Line up pins in plug with holes in insertion receptacle. Push in as far as plug will go.

- Plug second dual DC connector cable plug into the second insertion receptacle following the same instructions
- Insert DC wired hand control plug into dual DC connector cable receptacle
- Carefully rotate both bed bases from edge position toward each other to topside-up position and align together to create the King or Cal King unit
- Untie electrical power cord and extend out, then plug into wall
- Do not obstruct power or hand control cords



Location of Hand Control

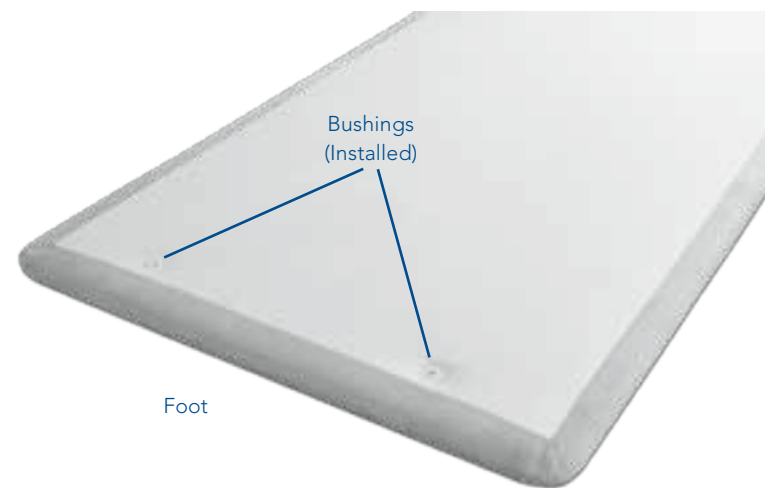


15 Flip Base

- Untie electrical power cord and extend out
- Carefully rotate adjustable base topside-up
- Plug electrical power cord into wall

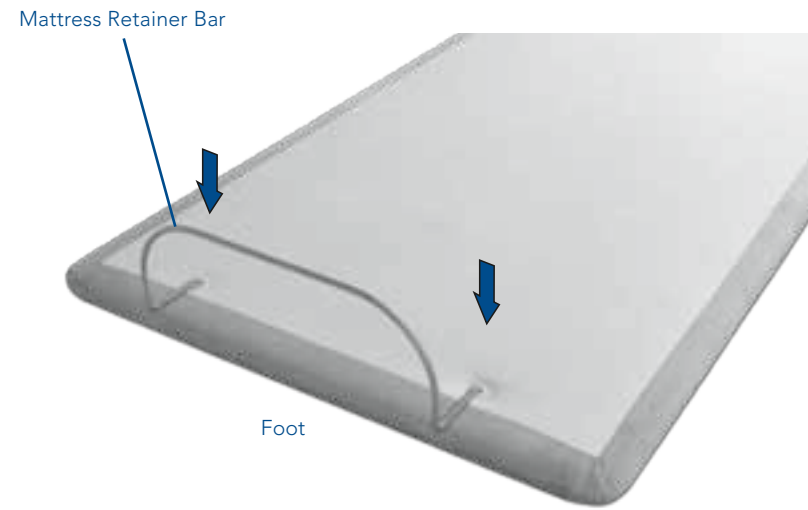
16 Install Bushings

- Install two (2) mattress retainer bushings in locator pin holes by pressing firmly into place



17 Install Mattress Retainer Bar

- Insert into bushings and press down until horizontal section is firmly against deck assembly



Adjustable Base Hand Control Function

Head Up Button

Press and hold to raise the head section.

Head/Foot Up Button

Press and hold to raise the head and foot sections simultaneously.

Foot Up Button

Press and hold to raise the foot section.

Head Down Button

Press and hold to lower the head section.

Head/Foot Down Button

Press and hold to lower the head and foot sections simultaneously.

Foot Down Button

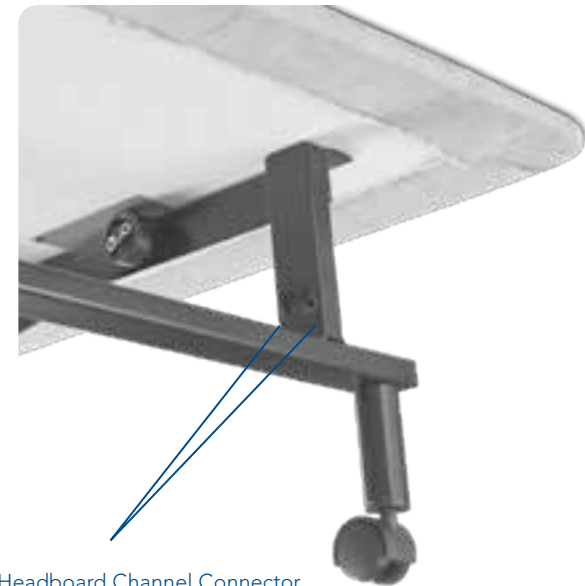
Press and hold to lower the foot section.



Headboard Bracket Assembly (optional)

1 Install Optional Headboard Brackets

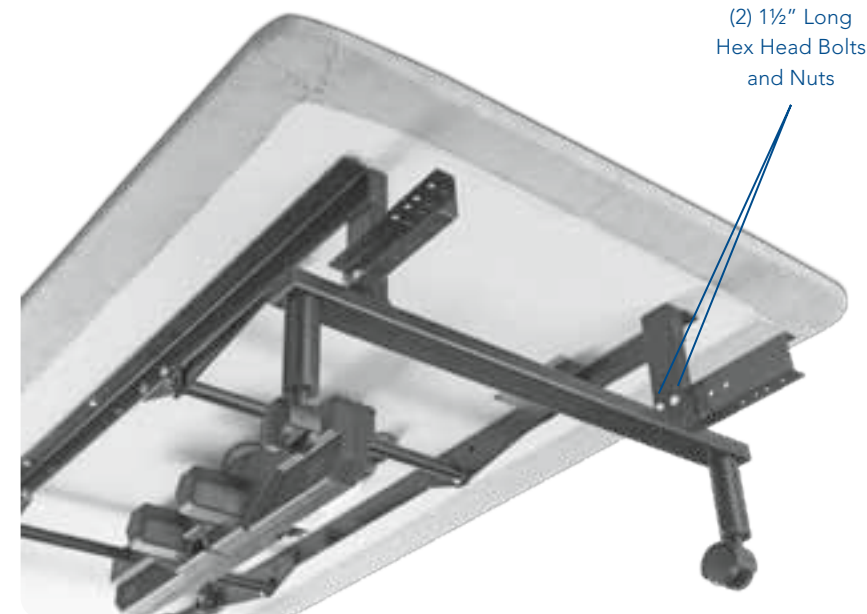
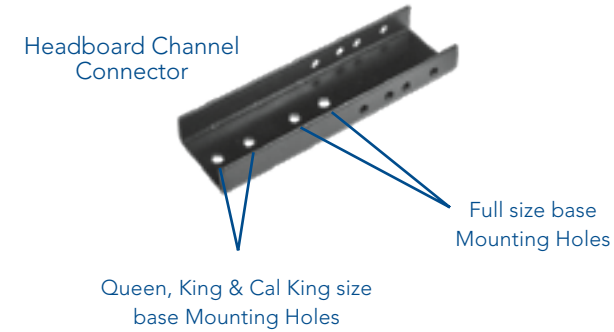
- Headboard brackets are only needed for non-freestanding headboards
- Use the hand control to raise the head section of the bed to access the bed base frame
- Locate the headboard bracket assembly kit. On one (1) side of the bed base frame, locate two (2) holes for headboard channel connector mounting



(2) Headboard Channel Connector Mounting Holes

2 Position Headboard Channel Connector

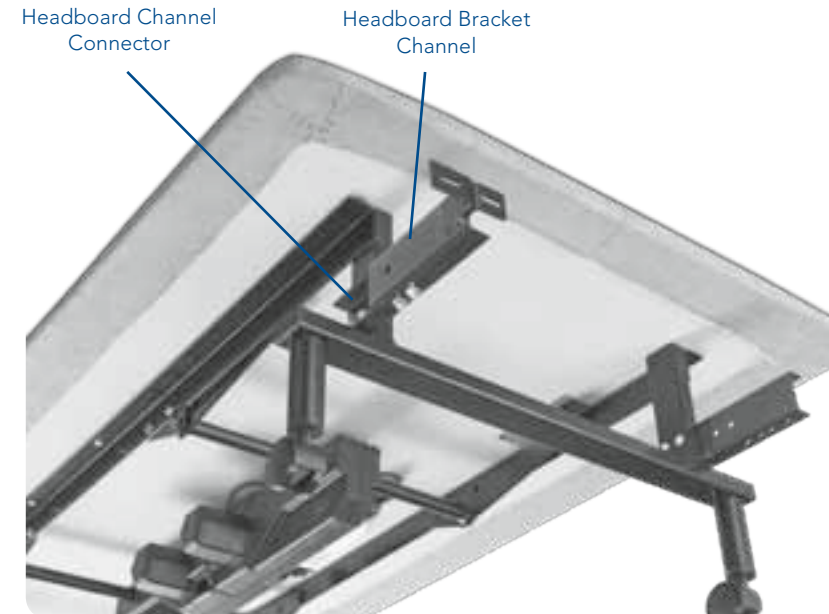
- For Full size beds use inner mounting holes. For Queen, King, Cal King and Split King beds, use outer mounting holes
- Position headboard channel connector so the flat side is flush against bed base frame. Attach headboard channel connector to the bed base frame using two (2) 1½-inch long hex head bolts/nuts



(2) 1½" Long Hex Head Bolts and Nuts

3 Attach Headboard Bracket Channel

- Using two (2) 3-inch long carriage bolts/nuts, attach one (1) headboard bracket channel to one (1) headboard channel connector. Hand-tighten bolts/nuts (loosely) to allow adjustment of the headboard bracket channels

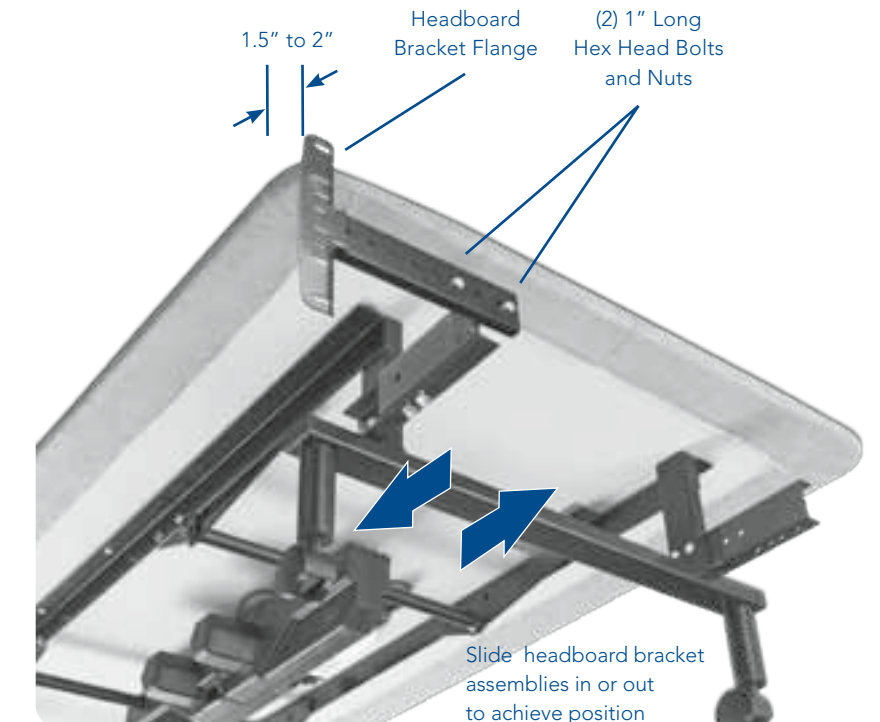


Headboard Channel Connector

Headboard Bracket Channel

4 Attach Headboard Bracket Flange

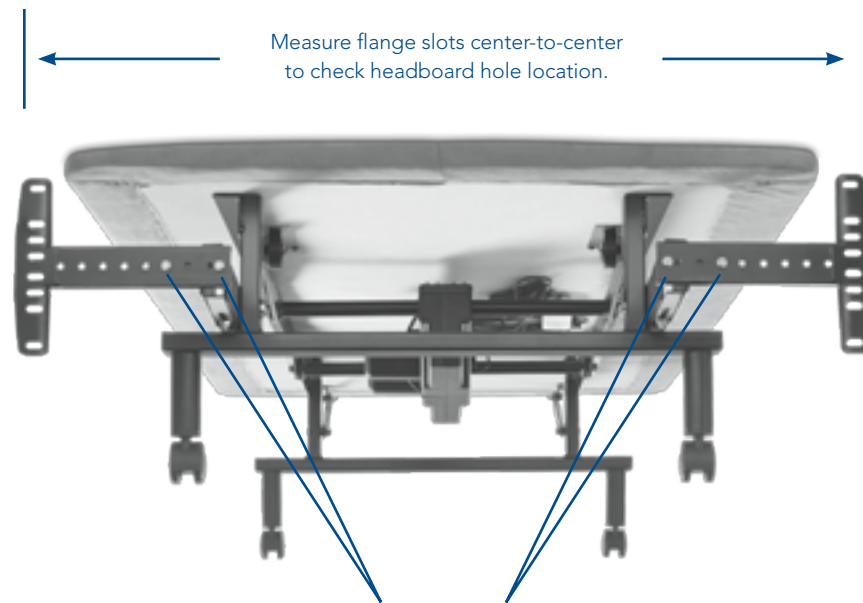
- Attach one (1) headboard bracket flange to one (1) of the headboard bracket channels with two (2) 1-inch long hex head bolts/nuts
- Repeat procedure to attach the other headboard bracket flange
- Slide headboard bracket assemblies (in or out) to achieve a distance of 1½ inches (38.1 mm) to 2 inches (50.8 mm) between the edge of the bed base and headboard bracket flanges



Slide headboard bracket assemblies in or out to achieve position

5 Adjust and Secure

- Firmly tighten the 3-inch long carriage bolts on both headboard bracket channels
- Measure the distance (center-to-center) between the mounting holes in the headboard
- Measure the center-to-center distance between the mounting slots of the headboard bracket flanges
- If headboard bracket flange adjustment is required to accept the headboard, remove the 1-inch long hex head bolts and move flanges side-to-side for the adjustment. Reinstall bolts. Tighten all headboard mounting bolts



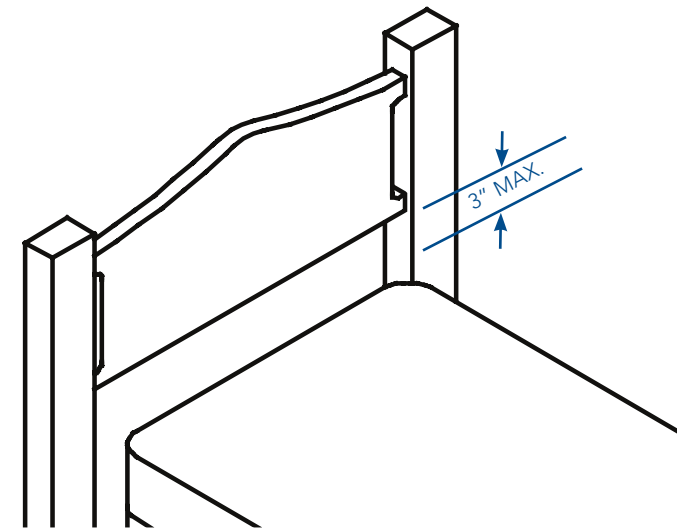
Remove 1-inch long hex head bolts and relocate flanges to achieve center-to-center distance required for headboard mounting holes.

6 Install Headboard

- Securely install your headboard

IMPORTANT SAFETY NOTICE: The bottom of the headboard cross member must be positioned so that there is no more than 3 inches (76.2mm) between the headboard and the top of the mattress.

Do not exceed 3 inches (76.2mm) in order to avoid a person or pet being caught in the space (referenced below) while the bed is in motion. Failure to follow these instructions could result in serious personal injury or death.



CAUTION: Headboard cross member location must not exceed 3 inches (76.2mm) from the top of the mattress.

Advisory

IMPORTANT: READ THE FOLLOWING INFORMATION CAREFULLY BEFORE USING THIS PRODUCT

This Sleep Number® adjustable base has been quality engineered with design features to assure comfort and safety when operated properly.

ELECTRICAL GROUNDING

This product is equipped with a polarized or grounded electrical power cord. The power cord will only fit into a grounded, electrical surge protection device (not included) or a grounded electrical outlet.

IMPORTANT SAFETY NOTICE: For optimum adjustable bed operation, use a grounded, electrical surge protection device (not included). Failure to use a surge protection device could compromise safety or cause product malfunction.

WARRANTY WARNING

Do not attempt to open the motor or hand control. The product warranty will be void if these components are tampered with. Do not attempt to alter component wiring or adjust or modify the structure of the product in any way or the warranty will be void. Any repair or replacement of adjustable bed parts must be performed by authorized personnel.

LUBRICATION

This product is designed to be maintenance free. The lift motors are permanently lubricated and sealed—no additional lubrication is required. Do not apply lubricant to lift motor lead screws or any nylon nuts or the bed may inadvertently creep downward from the elevated position.

PRODUCT RATINGS

The bed lift motors are not designed for continuous use. Reliable operation and full life expectancy will be realized as long as the lift motors do not operate any more than five (5) minutes over a thirty (30) minute period, or approximately 15% duty cycle. Any attempt to circumvent or exceed product ratings will shorten the life expectancy of the product and may void the warranty.

The recommended weight restrictions for Sleep Number® adjustable bases are Full, Queen: 450 lb (204 kg); King, Cal King, Split King: 900 lb (408 kg). The bed will structurally support the recommended weights distributed

evenly across the head and foot sections. This product is not designed to support or lift this amount in the head or foot sections alone.

NOTE: exceeding the recommended weight restrictions could damage the adjustable bed and void the warranty. For best performance, consumers should enter and exit the adjustable bed with the bed in the flat (horizontal) position.

DO NOT SIT ON THE HEAD OR FOOT SECTIONS WHILE IN THE RAISED POSITION.

UL (Underwriters Laboratories) listed components. CFR 1633 approved for use with most mattresses. Made in USA.

SMALL CHILDREN / PETS WARNING

After the bed is unboxed, immediately dispose of packaging material as it can smother small children and pets. To avoid injury, children or pets should not be allowed to play under or on the bed. Children should not operate this bed without adult supervision.

HOSPITAL USE DISCLAIMER

This bed is designed for in-home use only. It is not approved for hospital use and does not comply with hospital standards. Do not use this bed with tent type oxygen therapy equipment or use near explosive gases.

FCC COMPLIANCE

Electrical components are rated for 110/120 voltage, 60Hz, 3.9 amp. Components meet Class B digital device rating (Part 15, FCC rules) for residential use.

RAISING/LOWERING MECHANISMS

The raise/lower feature will emit a minimal humming sound during operation. This is normal. During operation, the lift arm wheels make contact with the platform support of the bed. This applies slight tension on the moving components and resonance is reduced to a minimum level. If excessive noise or vibration is experienced, reverse the movement action (up or down) of the bed with the hand control. This should realign the bed's activating mechanisms to the proper operational position.

Troubleshooting

In the event the Sleep Number® adjustable base fails to operate, investigate the symptoms and possible solutions provided below.

No features of the adjustable bed will activate.

- Verify power cord is plugged into a working, grounded electrical outlet. A grounded, electrical surge protection device is recommended. Test outlet by plugging in another working appliance.
- Unplug power cord, wait 30 seconds and plug in to reset electronic components.
- Electrical circuit breaker may be tripped. Check electrical service breaker box to verify.
- Defective surge protection device.

Head or foot section will elevate, but will not return to the horizontal (flat) position.

- Bed mechanism may be obstructed. Elevate bed and check for obstruction. Remove obstruction.
- Head section may be too close to the wall.

2-5-25 Warranty

Leggett & Platt, Incorporated (“L&P”) warrants this adjustable bed to the consumer who is the original purchaser (the “purchaser”), subject to the terms and conditions set forth herein. This warranty begins on the “warranty commencement date” which is the date of purchase for new unused beds and the date of manufacture for beds that have been used as floor or display models. Thus, on a floor model bed, the warranty is a portion of the limited 25 year warranty.

FULL 2 YEAR WARRANTY

This adjustable bed is warranted against defects in the workmanship or materials for a period of two (2) years from the warranty commencement date. Upon notice during the first two (2) years after the warranty commencement date, L&P will repair or replace (at no cost to the purchaser) any defective adjustable bed part, and L&P will pay all authorized labor and transportation costs associated with the repair or replacement of any parts found to be defective.

5 YEAR LIMITED WARRANTY

During the third through the fifth year from the warranty commencement date, upon receipt of notice, L&P will replace any adjustable bed part found to be defective. This limited five (5) year warranty shall not apply unless the defective part is returned to L&P within ten (10) days of purchaser's receipt of the replacement part. Purchaser shall pay all service and transportation costs related to the replacement of the defective part.

25 YEAR LIMITED WARRANTY

Upon notice during the sixth year through the twenty-fifth year from the warranty commencement date, L&P will replace, upon terms and conditions set forth in this paragraph, any mechanical bed part found to be defective.

Electronics, electrical components, drive motors and massage motors are excluded. This limited twenty-five (25) year warranty shall not apply unless the defective part is returned to L&P within ten (10) days of purchaser's receipt of the replacement part. In years 6–25, purchaser shall pay all service and transportation costs related to the replacement of the defective part.

Additional Terms and Conditions

This warranty does not apply; (a) to any damage caused by the purchaser; (b) if there has been any repair or replacement of adjustable bed parts by unauthorized personnel; (c) if the adjustable bed has been mishandled (whether in transit or by other means), subjected to physical or electrical abuse or misuse, or otherwise operated in any manner inconsistent with the operation and maintenance procedures outlined in this document and this warranty; (d) to damage to mattresses, fabric, cables, electrical cords or items supplied by dealers. Contact the dealer for warranty information on these items; (e) if there has been any modification to the adjustable bed without prior written consent by L&P; (f) to costs for unnecessary service calls, including costs for in-home service calls solely for the purpose of educating the consumer about the adjustable bed or finding an unsatisfactory power connection; (g) if the recommended weight restriction is not followed (refer to advisory section), the warranty will be void.

Repairs to or replacement of an adjustable bed or its components under the terms of this limited warranty will apply to the original warranty period and will not serve to extend such period.

The decision to repair or to replace defective parts under this warranty shall be made, or cause to be made, by L&P at its option and in its sole discretion.

Repair or replacement shall be the sole remedy of the purchaser. There shall be no liability on the part of L&P for any special, indirect, incidental, or consequential damages or for any other damage, claim, or loss not expressly covered by the terms of this warranty.

This limited warranty does not include reimbursement for inconvenience, removal, installation, setup time, loss of use, shipping, or any other costs or expenses. Leggett & Platt or its service technicians shall not be responsible for moving furniture or any other items not attached to the adjustable bed in order to perform service on the adjustable bed.

It is the sole responsibility of the purchaser to provide adequate space and accessibility to the adjustable bed. In the event that the technician is unable to perform service due to lack of accessibility, the service call will be billed to the purchaser and the service will have to be rescheduled.

L&P makes no other warranty whatever, express or implied, and all implied warranties of merchantability and fitness for a particular purpose are disclaimed by L&P and excluded from this agreement. Some states do not allow the exclusion or limitation of incidental or consequential damages, so the above limitation or exclusion may not apply to every purchaser.

This warranty gives the purchaser specific legal rights, and the purchaser may also have other rights, which may vary from state to state. This warranty is valid in all 50 states, Puerto Rico, and Canada.

CONTACT INFORMATION: Select Comfort, Customer Service Department, 6105 Trenton Lane North, Minneapolis, MN 55442, 800-728-9298.

Help is just a click or phone call away

If you ever have product questions or need additional assistance obtaining optimal comfort, please visit us at:

sleepnumber.com

or call

1.800.728.9298

Representatives are available
(Central Standard Time):

Monday–Friday 8 a.m. – 6 p.m.

Saturday 8:30 a.m. – 5 p.m.

Sunday Closed

sleep  number.

9800 59TH AVENUE NORTH
MINNEAPOLIS, MN 55442



118175

3/13

